



# Installation Instructions Gladiator Rear Wheel Liners

Vehicle Application:  
Jeep® JT Gladiator 2020 - Current  
Part Number 49665

## Installation

**Before you install your new Bestop Gladiator Rear Wheel Liners, be aware that these liners are a system and should only be used with Bestop Rear Fender Flares.**

**If you plan to install any under-vehicle rock-lighting, have those parts and electronics on hand before you begin the install.**

**WARNING** The manufacturer strongly recommends that this product be professionally installed.

**WARNING** Failure to carefully follow the electrical installation steps could result in severe electrical shock which could harm the installer and/or damage the vehicle.

**WARNING** This product is designed primarily to enhance the appearance and comfort of the vehicle. Do not rely in any way on the components of this product to protect the occupants within the vehicle, or to protect against injury or death in the event of an accident. Never operate the vehicle in excess of manufacturer's specifications.



## WEAR SEAT BELTS AT ALL TIMES

### Tools and Supplies



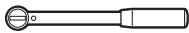
Safety Glasses



10-150 Ft/Lb  
Torque Wrench



10mm - 13mm  
Wrenches



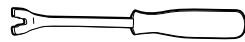
Socket  
Wrench



7mm - 10mm - 13mm -  
21mm sockets



3mm - 4mm  
Allen Key or HexTool  
(Provided)



Panel Removal  
Tool



### CAUTION

Safety glasses should be worn at all times when installing this product.

### Installation Time



**1-1/2 hours**

### Skill Level



**2 - Moderately Difficult**

### Support

We're here to help! Go to:  
<https://www.bestop.com>  
and click on **Need Help?**



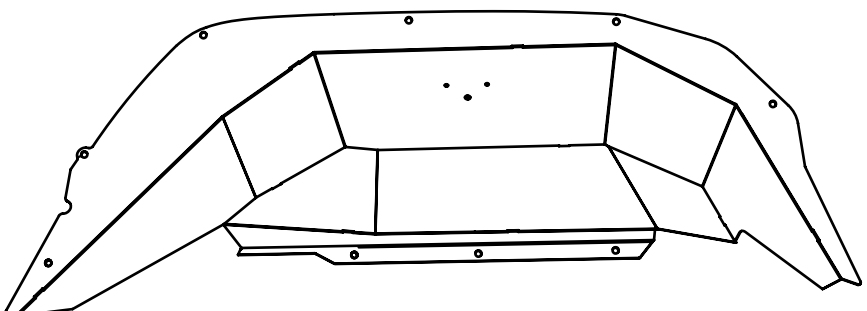
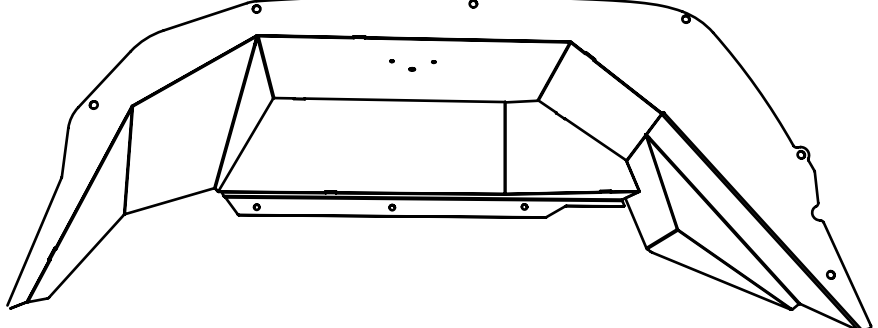
<https://www.bestop.com/video-library>



# Installation Instructions Gladiator Rear Wheel Liners

Vehicle Application:  
Jeep® JT Gladiator 2020 - Current  
Part Number 49665

## Parts List

All Sections	Gladiator Rear Fender Liners	Multiple Pages
 <p data-bbox="304 836 651 950">JL Rear Liner Right (passenger) Side Part # 200303875 (matte finish) Qty. 1</p>		 <p data-bbox="1333 836 1680 950">JL Rear Liner Left (driver) Side Part # 200303880 (matte finish) Qty. 1</p>

### Mounting Hardware Small Parts

M6 x 25mm Combo Bolt Part #3006561 Qty. 18	M6 ClipNut Part #3006563 Qty. 6

### RockLight Hardware Kit

M4 x 20mm Allen Bolt Part #3006267 Qty. 4	M4 Flat Washer Part #3000212 Qty. 4	M4 Nylock Nut Part #3001381 Qty. 4



## Installation Instructions Gladiator Rear Wheel Liners

Vehicle Application:  
Jeep® JT Gladiator 2020 - Current  
Part Number 49665

### Note : **Prep for install**

Before you begin:

If you are installing Bestop Fender Flares 4966401 it is recommended to install with the Bestop Wheel Liners to prevent duplicate work. If you are planning to installing 4294201 Baja Designs Wheel Liner LED Rock Light Kit is recommended to install with Bestop Wheel Liners at this time.

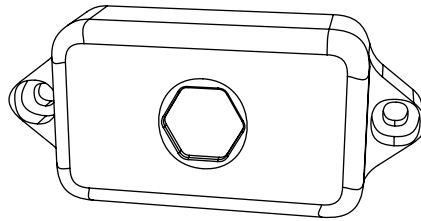
Recommended:

Part # 42942-01

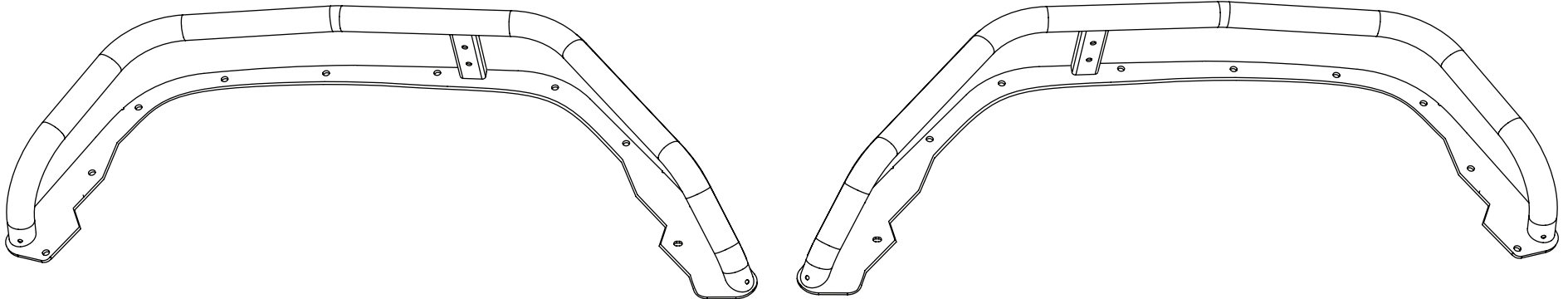
Baja Designs

Wheel Liner LED Rock Light Kit

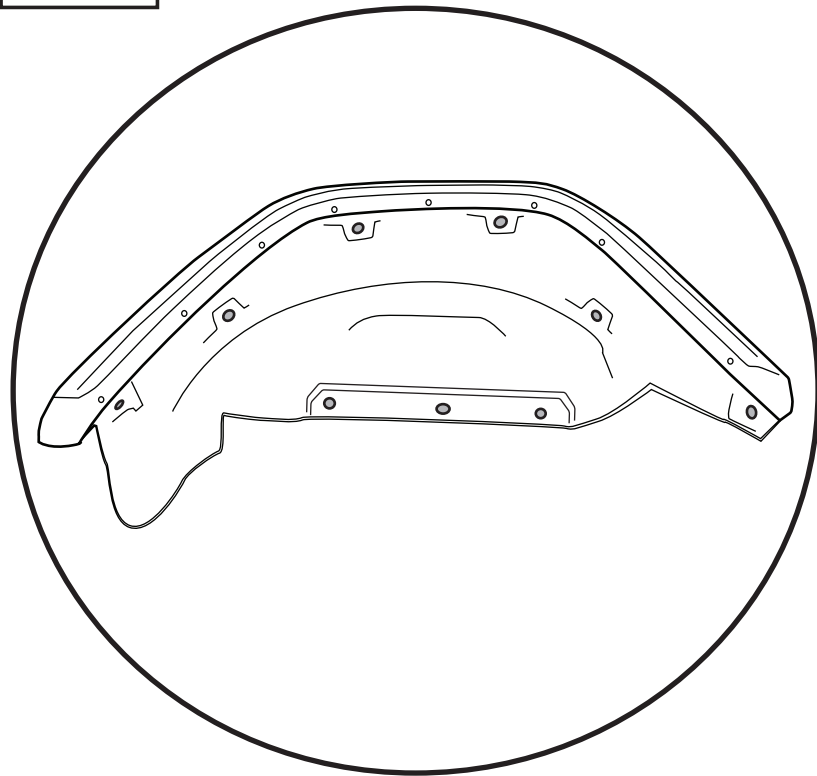
(Sold Separately)



### Bestop Gladiator Rear Fenders ( Part# 49664-01 )



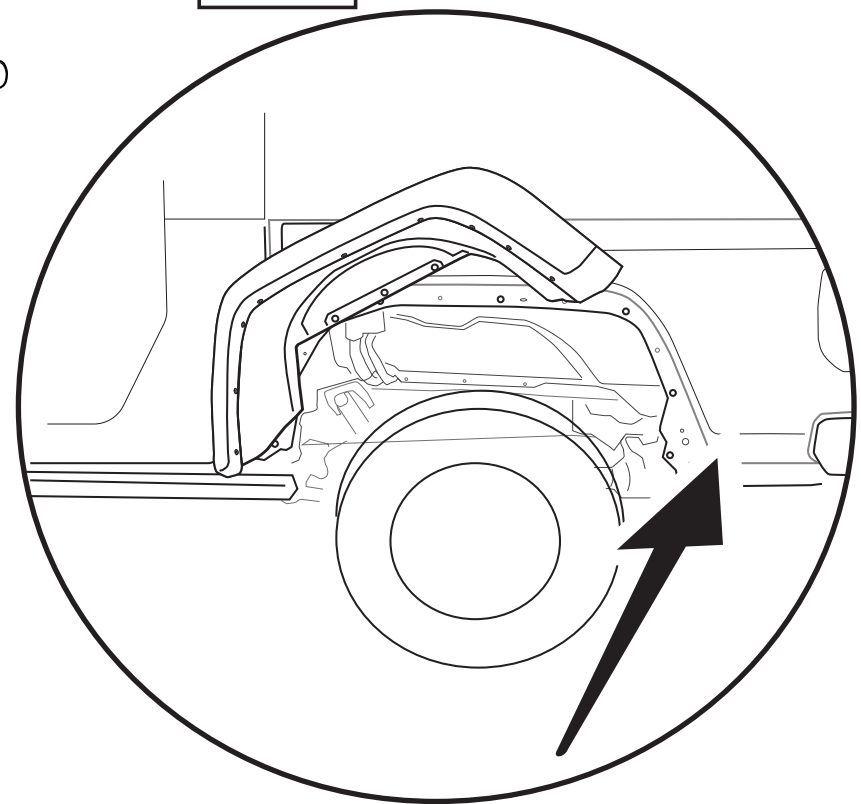
**Step 3**



**Tools**



**Detail**



**Step 3**

On the OEM front fenders, it is easier to drill out the plastic rivets holding the liner to the fender. This is not needed on the rear.

To remove rear; start by releasing the inner fender liner retainers. Use a Panel tool to pry all the plastic trees that join the liner to the Jeep body.

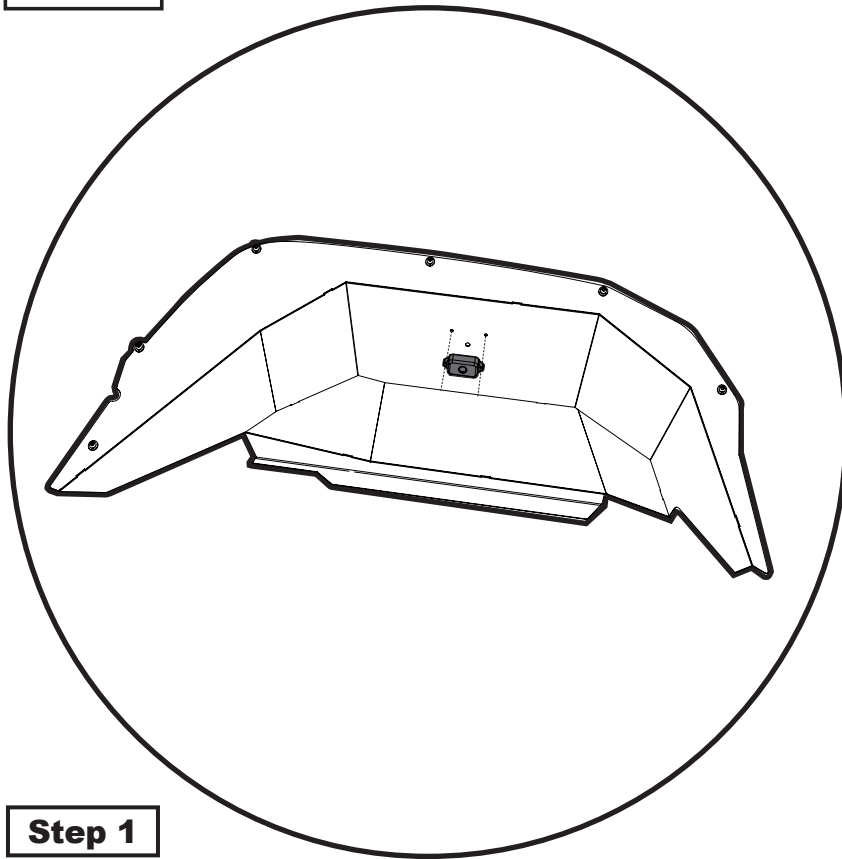
It may be easier to cut the head of the retainer off with snips and remove. You will not reuse any of these fasteners..

With the inner liner fasteners removed and loose, now you can remove the entire fender. Grab the fender and pull the fender away from the body. It's attached with clips. When pulling it away the clips will probably break. Do not be concerned, you're not reusing them.

Start pulling from one corner, and work your way to the other side of the fender.

With the OE fender and liner removed clean the body of the Jeep in this area. This area retains mud and dust. If you see any scratches or paint is rubbed away, prep and touch-up paint areas to assist in rust prevention.

**Step 1**



**Step 1**

This is the recommended time to install your LED Rock-lights and wiring onto the vehicle and wheel well liners, per best practices and per the lighting manufactures instructions.




Bestop does provide the proper mounting hardware to work with most generic rock lighting manufactures.

Part # 42942-01  
 Baja Designs Wheel Liner LED Rock Light Kit.  
 (Sold Separatly)  
 Specific hardware is provided in the BD kit.

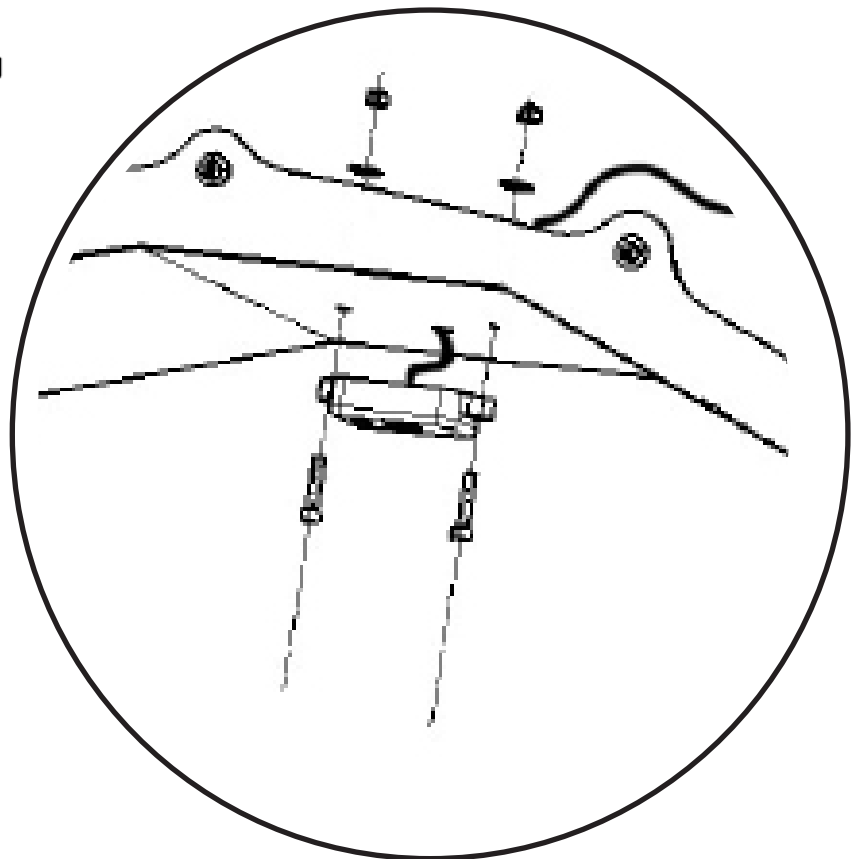
**Hardware**

-  M4 x 20mm  
Allen Bolt  
Part #3006267  
Qty. 4
-  M4 Flat Washer  
Part #3000212  
Qty. 4
-  M4 Nylock Nut  
Part #3001381  
Qty. 4
-  Recommended:  
BD Rock Lights Kit  
Part # 4294201  
(Sold Separatly)

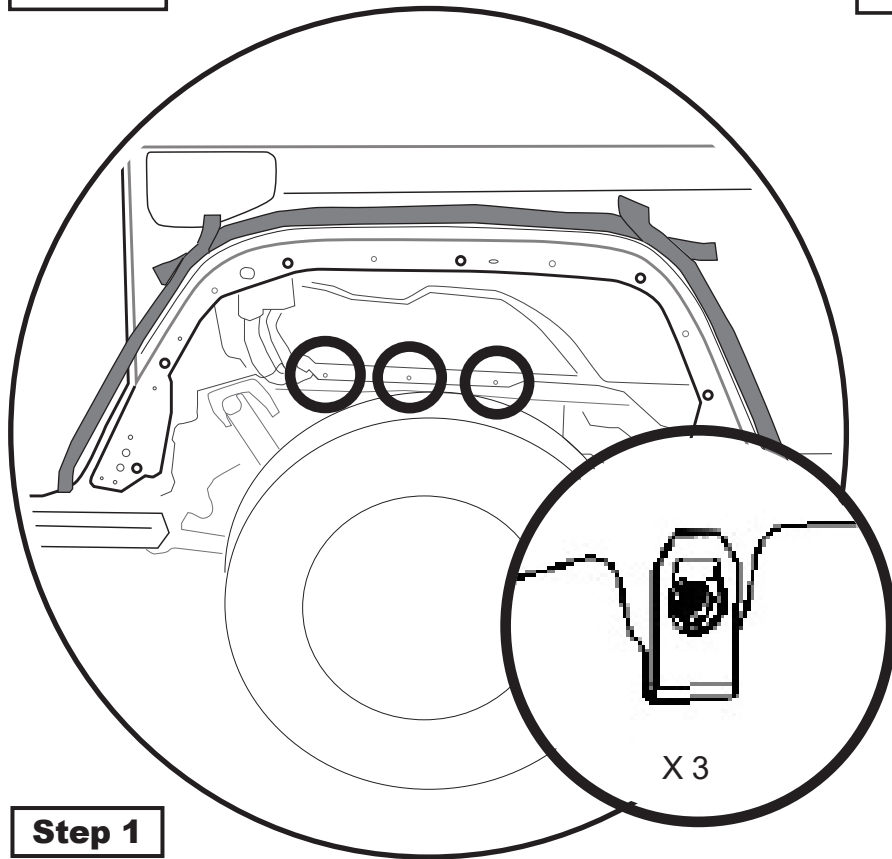
**Tools**

-  7mm Socket
-  Socket  
Wrench
-  3mm  
Allen Key or HexTool  
(Provided)

**Detail**



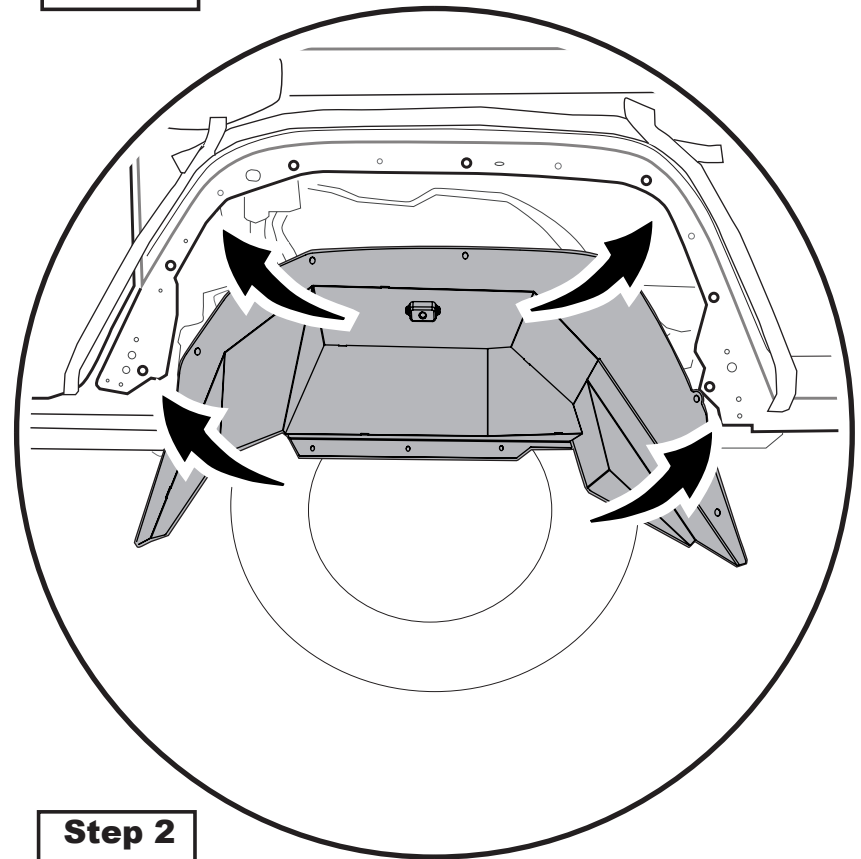
**Step 1**



**Hardware**



**Step 2**



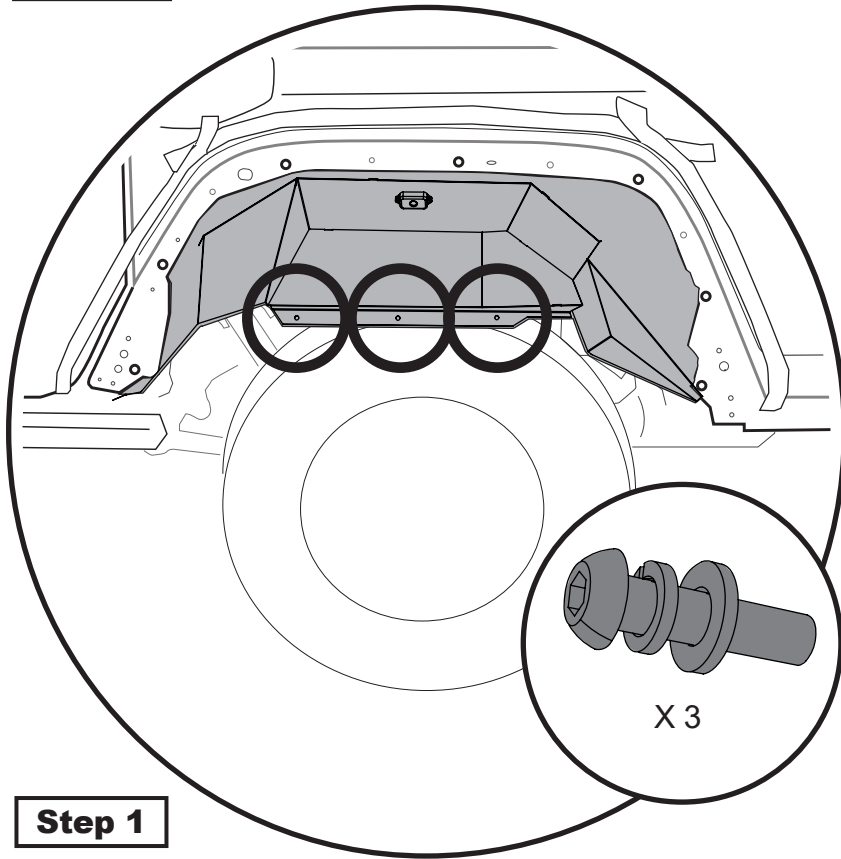
**Step 1**

Install the ClipNuts (3006563) to the lower tabs on the body sheetmetal of the JT Wheelwell. Three (3) clips per side will lineup with the holes in the fender liners. Simply Press on the clips as shown in the detail to the right.

**Step 2**

Connect rocklight wiring, and place the fender liner into the Wheel Well. Be sure that the liner flange is inside the fender lip in all locations of the bedside.

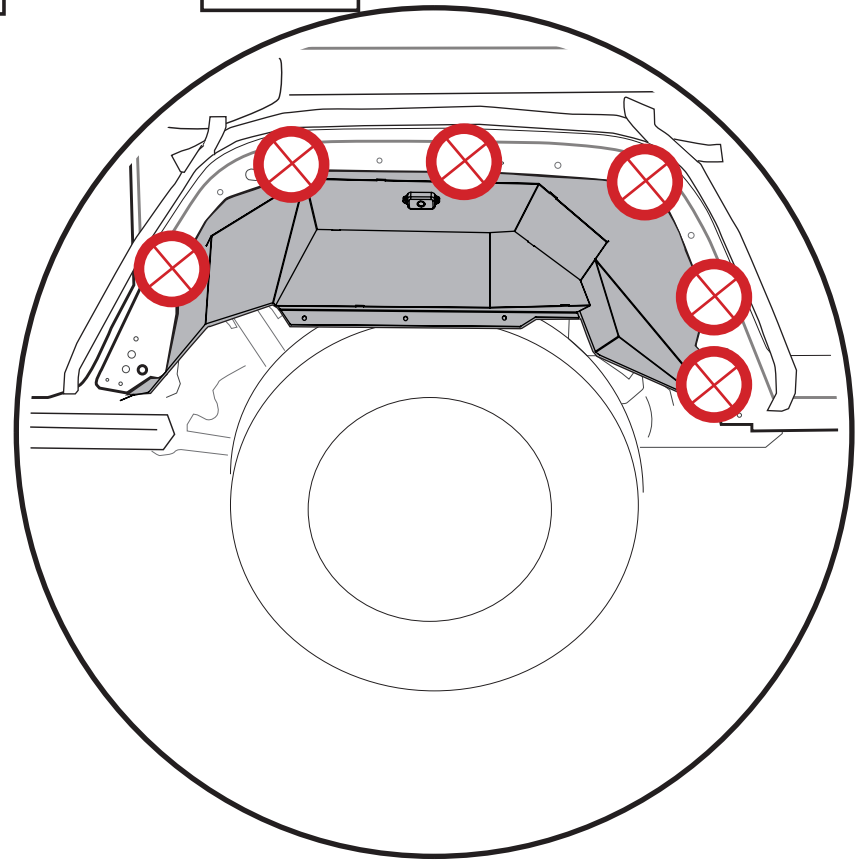
**Step 1**



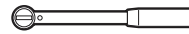
**Hardware**



**Detail**



**Tools**



Socket Wrench  
and



10mm sockets  
or



10mm  
Wrench



4mm  
Allen Key or HexTool  
(Provided)

**Step 1**

Loosely install three (3) of the Combo bolt (3006561) into the Clip Nuts to installed on the JT Wheel well tabs. Make sure to check and lineup body holes with the threaded insert holes in fender liners

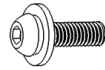
**DO NOT TIGHTEN WITH TOOLS YET.**  
You will need to have the fenders loose incase of needed adjustments in final steps..

**NOTE:** The other 6 holes will also be used for the install of Bestop Tubular Steel Fenders (Part# 49664-01). Do not install more hardware.

**Jump to Section 3  
of the Gladiator Flare in-  
stall sheet, or continue...**

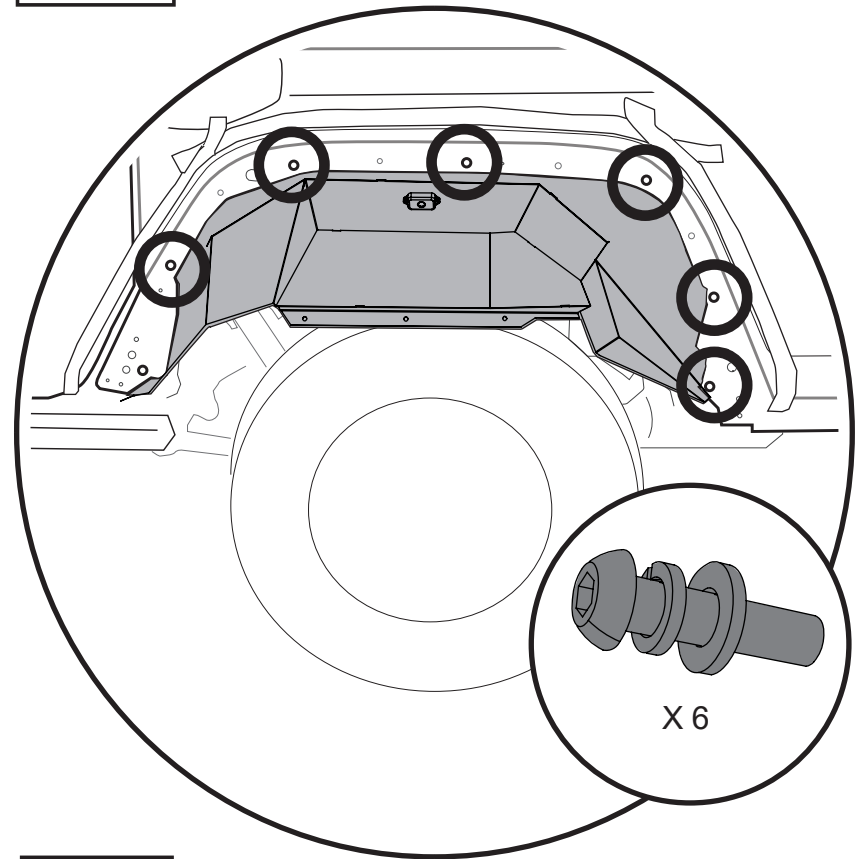
**Use the Bestop Gladiator Fender Flare install sheet, from here on, unless you are not installing Bestop Fender Flares.**

**Hardware**

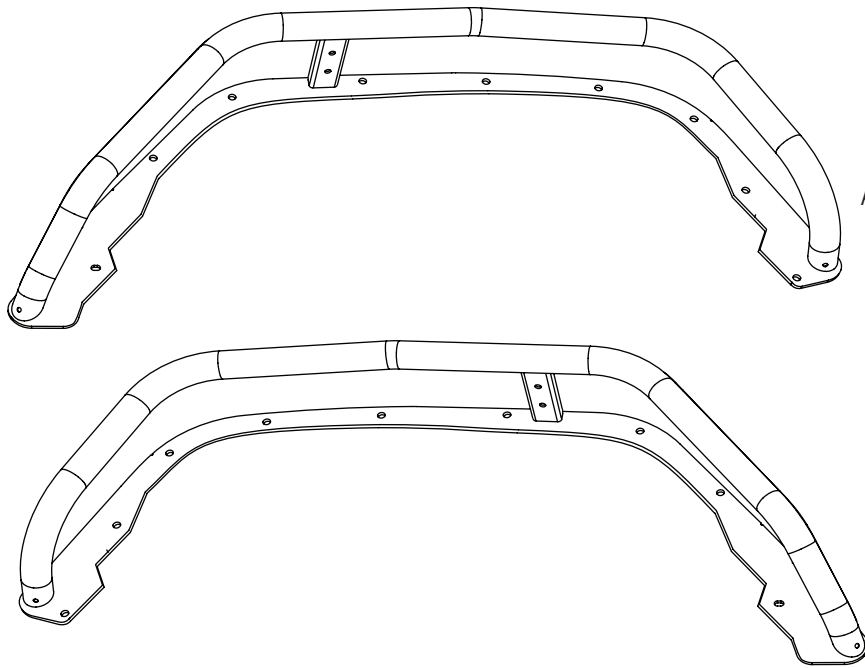


M6 x 25mm  
Combo Bolt  
Part #3006561  
Qty. 6

**Step 1**



**Gladiator Rear Fender Flares (Part# 49664-01)**



**Tools**



4mm  
Allen Key or HexTool  
(Provided)

**Step 1**

If you are NOT installing Bestop flares, or you have another solution, go ahead and hand install the Combo bolt (3006561) into the remaining holes of the JT Wheel well. Six (6) bolts per side. Make sure to check and lineup body holes with the threaded insert holes in fender liners.

Once all six (6) of the Fender Liner bolts are threaded in place, **Torque all bolts to 8 Nm / 10 InLbs.**





## Installation Instructions Gladiator Rear Wheel Liners

Vehicle Application:  
Jeep® JT Gladiator 2020 - Current  
Part Number 49665

### WHAT BESTOP WARRANTS

Subject to the terms and conditions of sale, including any terms and conditions set forth by Bestop, Inc. (“Bestop” or “us” or “we”) in our then-current terms of sale on our website (collectively, the “Terms”), Bestop represents and warrants that: the covered products listed in the “Covered Products and Warranty Periods” section (a “Product”) will substantially be free from defects in materials and workmanship for the specified warranty periods set forth in that section.

### THE WARRANTY IS LIMITED AND CONDITIONAL

This warranty applies to the original purchaser of the Product only. The warranty is valid only as long as the original retail purchaser owns the vehicle upon which the Product is installed. The warranty expires should the Product be removed from the original vehicle or if the original vehicle is transferred to another owner. This warranty is not transferable or assignable. The warranty does not apply to Product bought from auction-style or price-bid websites.

THE LIMITED WARRANTY AND STATED REMEDIES ARE SOLE AND EXCLUSIVE AND IN LIEU OF ALL OTHER WARRANTIES AND REMEDIES, AND COMPANY EXPRESSLY DISCLAIMS ALL IMPLIED OR STATUTORY OR OTHER WARRANTIES, INCLUDING WITHOUT LIMITATIONS WARRANTIES OF MERCHANTABILITY, NON-INFRINGEMENT OR FITNESS FOR A PARTICULAR PURPOSE. IN NO EVENT WILL COMPANY BE LIABLE FOR ANY SPECIAL, INCIDENTAL, CONSEQUENTIAL, PUNITIVE, INDIRECT OR EXEMPLARY DAMAGES OF ANY KIND, INCLUDING LOST PROFITS OR REVENUE, HOWEVER CAUSED, WHETHER FOR BREACH OR REPUDIATION OF CONTRACT, TORT, BREACH OF WARRANTY, NEGLIGENCE, OR OTHERWISE, WHETHER OR NOT COMPANY WAS ADVISED OF THE POSSIBILITY OF SUCH LOSS OR DAMAGES.

Some states do not allow exclusion or limitation, so this may not apply to you. This warranty gives you specific legal rights, and you may have other rights which vary from state to state.

### EXCLUSIONS TO THE WARRANTY

The Limited Warranty excludes, and Bestop is not liable in any way for any warranty claims, damages, or defects related to:

- Misuse, abuse, accidents, vandalism, negligence, fire, or improper installation or modification, or improper or inadequate maintenance;
- Failure to comply with any Product documentation, Bestop instructions, or applicable law or regulations; use in extreme conditions
- Force Majeure including but not limited to, earthquake, hurricane, tornado, flooding, or other disasters natural or man-made, civil unrest, strikes, declared or undeclared war, or lack of performance by, or discontinued product of, supply chain partners whose products, software, operations or management is beyond the control of Bestop;
- Damage resulting in breakage (including without limitation, spontaneous breakage, accidental breakage or breakage by any other means) of a Product or any component part;
- Damage to vinyl windows due to misuse, or cracking due to varying weather conditions.

### YOUR SOLE REMEDY

During the applicable warranty period, Bestop shall, at its option, either repair or replace any Product that it confirms, in its discretion, is non-compliant with the warranties herein. Bestop will not pay for labor charges associated with installation or removal of the Product. Should a specific Product be discontinued, Bestop may, at its option, replace the discontinued Product with a current product or like product.

Please retain your proof of purchase. Original proof of purchase for the Product must accompany any warranty claim. If you have a warranty claim, first you must email Bestop Customer Service at [csbestop@bestop.com](mailto:csbestop@bestop.com) for instructions. All claims must be emailed to [csbestop@bestop.com](mailto:csbestop@bestop.com) within 30 days of discovery of a defective Product, but in no event later than thirty days after the end of the applicable Warranty Period (the “Warranty Notice Period”). Warranty claims made after the Warranty Notice Period are null and void and Bestop shall have no responsibility with respect to such claims.

THIS SECTION SETS FORTH BESTOP'S SOLE OBLIGATION & YOUR SOLE REMEDY WITH RESPECT TO ANY DEFECTS OR OTHER PRODUCT ISSUE. ANY PRODUCTS REPLACED UNDER TERMS OF THIS WARRANTY WILL BE COVERED UNDER TERMS & BALANCE OF THE DURATION OF THE ORIGINAL LIMITED WARRANTY FOR SUCH PRODUCT.



## Installation Instructions Gladiator Rear Wheel Liners

Vehicle Application:  
Jeep® JT Gladiator 2020 - Current  
Part Number 49665

---

**COVERED PRODUCTS AND WARRANTY PERIODS:** The warranty time periods are as follows for Products manufactured by Bestop:

### **BESTOP® LIMITED LIFETIME WARRANTY**

Trektop® Pro Twill Fabric Top Sunrider® for Hardtop Twill Fabric Top  
Trektop® NX Glide Twill Fabric Top Replace-a-Top™ Twill Fabric Top  
Trektop® NX Twill Fabric Top Supertop® NX Twill Fabric Top  
EZFold™ Soft Tonneaus Floor & Cargo Liners  
ZipRail™ Soft Tonneaus Pet Barriers  
EZRoll™ Soft Tonneaus

---

### **BESTOP® 5-YEAR LIMITED WARRANTY**

Trektop® NX Glide™ Top (non-Twill) Sunrider® for Hardtop (non-Twill) Replace-a-Top™ Top (non-Twill) Trektop® NX Top (non-Twill)  
Sailcloth Replace-a-Top™ Supertop® NX Top (non-Twill)  
Tigertop™ and Halftop™ Supertop® Classic Soft Top Sunrider® Complete Soft Top Supertop® for Truck  
EZ Fold Hard Tonneau

---

### **BESTOP® 3-YEAR/100K MILES LIMITED WARRANTY**

Powerboard® & Powerboard® NX

Trekstep®, Side Mount  
Trekstep®, Rear Mount

---

### **BESTOP® 3-YEAR LIMITED WARRANTY**

Pavement Ends Sprint Top

---

### **BESTOP® 2-YEAR LIMITED WARRANTY**

Trektop® Classic Soft Top  
RoughRider™ Soft Storage

---

### **BESTOP® 1-YEAR LIMITED WARRANTY**

All other Bestop® & Pavement Ends™ products not specified above.

---

**For further information or request for warranty work, please contact:**

**Bestop Inc. Customer Service**

**Toll-Free: (800)845-3567**

**Main: (303)465-1755**

**E-mail: [csbestop@Bestop.com](mailto:csbestop@Bestop.com)**

**Website: [www.Bestop.com](http://www.Bestop.com)**