



# Installation Instructions Element Door Enclosure (Front)

Vehicle Application:  
Jeep® JL Wrangler, JL Wrangler Unlimited And Gladiator  
2018-current  
Part Number 51744

## Installation Tips

Before you install your new Bestop Element Door Enclosure, Please read all the instructions thoroughly.


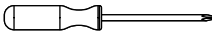

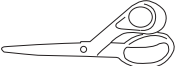


**WARNING** This product is designed primarily to enhance the appearance of the vehicle and to shield the occupants from ordinary weather conditions. Do not rely in any way on the components of this product to protect against injury or death in the event of an accident. Never operate the vehicle in excess of manufacturer’s specifications.

Read and follow, precisely, all installation instructions provided when installing this product. Failure to do so may result in a poor fit and could place occupants of the vehicle in a potentially dangerous situation.


**CAUTION** Safety glasses should be worn at all times when installing this product.

**WEAR SEAT BELTS AT ALL TIMES**




Tools		
 Safety Glasses	 Phillips Screwdriver	 3/8" and 10 mm Wrench
 Scissors	 T20 and T30 Torx	 5mm Hex Socket

**Installation Time**



**30 Minutes**

**Skill Level**



**1 - Easy**

**Support**

We're here to help! Go to:  
<https://www.bestop.com>  
and click on **Need Help?**



<https://www.bestop.com/video-library>



## Installation Instructions Element Door Enclosure (Front)

Vehicle Application:  
Jeep® JL Wrangler, JL Wrangler Unlimited And Gladiator  
2018-current  
Part Number 51744

### Sugerencias de Instalación

**Antes de empezar a instalar esta unidad, lea atentamente todas las instrucciones.**

**Para un buen ajuste:**

Para facilitar la instalación, el producto debe instalarse a temperaturas superiores a 72 °F (22 °C).

Por debajo de esta temperatura, la tela puede encogerse una pulgada o más, lo que dificultaría su ajuste al vehículo.

Es normal que la tela se contraiga o arrugue cuando está guardada en la caja de empaque. A los pocos días después de la instalación, la tela se relajará y las arrugas desaparecerán.



#### ADVERTENCIA

Este producto se diseñó principalmente para mejorar la apariencia del vehículo y proteger a los ocupantes de las condiciones climáticas comunes. De ninguna manera piense que los componentes de este producto pueden servir como medio de contención para los ocupantes del vehículo o que pueden protegerlos contra lesiones o la muerte en caso de accidente. Este producto no protegerá a los ocupantes contra caídas de objetos. Nunca conduzca este vehículo fuera de las especificaciones del fabricante.

#### USE LOS CINTURONES DE SEGURIDAD EN TODO MOMENTO

Lea y siga con precisión todas las instrucciones de instalación que se proporcionan para instalar este producto. Si no lo hace, podría producirse un mal ajuste que colocaría a los ocupantes del vehículo en una situación potencialmente peligrosa.



#### PRECAUCIÓN

Debe usar gafas protectoras en todo momento durante la instalación de este producto.

### Conseils pour l'installation

**Lire toutes les instructions au complet avant de commencer l'installation de cet assemblage.**

**Pour un ajustement sans problème :**

Afin de faciliter l'installation, ce produit doit être installé à des températures au-dessus de 72 °F (22 °C).

Sous cette température, le tissu peut rétrécir d'un pouce (2,5 cm) ou plus, ce qui rendra l'ajustement sur le véhicule difficile.

Il est normal que le tissu rétrécisse et plisse pendant qu'il est dans la boîte d'expédition. En quelques jours après l'installation, le tissu se détendra et les plis disparaîtront.



#### AVERTISSEMENT

Ce produit est conçu principalement pour améliorer l'apparence du véhicule et pour protéger les occupants des conditions météorologiques usuelles. Ne jamais se fier aux composants de ce produit pour se protéger de blessures ou de la mort en cas d'accident. Ce produit ne protégera pas les occupants des chutes d'objets. Ne jamais utiliser le véhicule au-delà des caractéristiques techniques indiquées par le fabricant.

#### PORTER UNE CEINTURE DE SÉCURITÉ EN TOUT TEMPS

Lire et suivre, très fidèlement, toutes les instructions d'installation fournies lors de l'installation de ce produit. Ne pas suivre cette consigne peut causer une installation inadéquate et mettre les occupants du véhicule dans une situation potentiellement dangereuse.



#### MISE EN GARDE

Des lunettes de sécurité doivent être portées en tout temps lors de l'installation de ce produit.

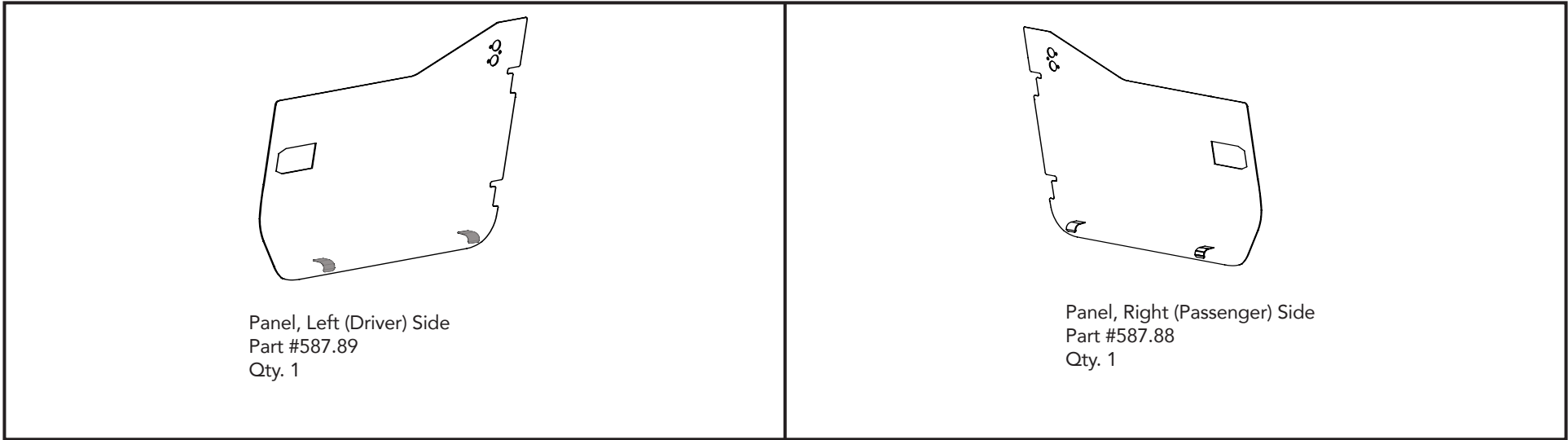


# Installation Instructions Element Door Enclosure (Front)

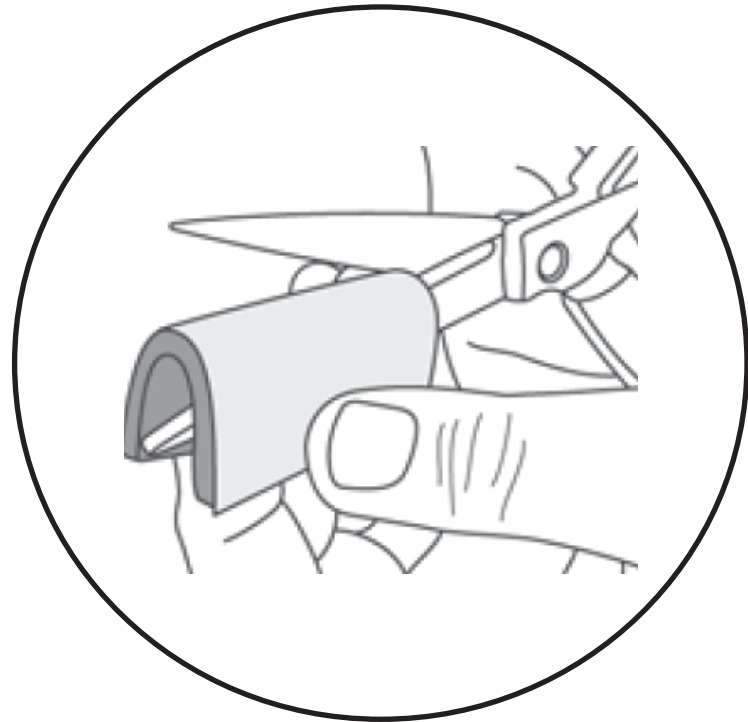
Vehicle Application:  
Jeep® JL Wrangler, JL Wrangler Unlimited and Gladiator  
2018-current  
Part Number 51744

## Parts List

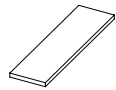
- Required parts for installation

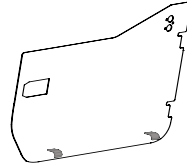


**Step 1**

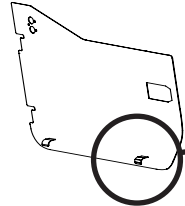


**Hardware**

 Foam Tape  
Part #449.09  
Qty 1

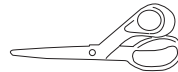


Panel, Left (Driver) Side  
Part #587.89  
Qty. 1



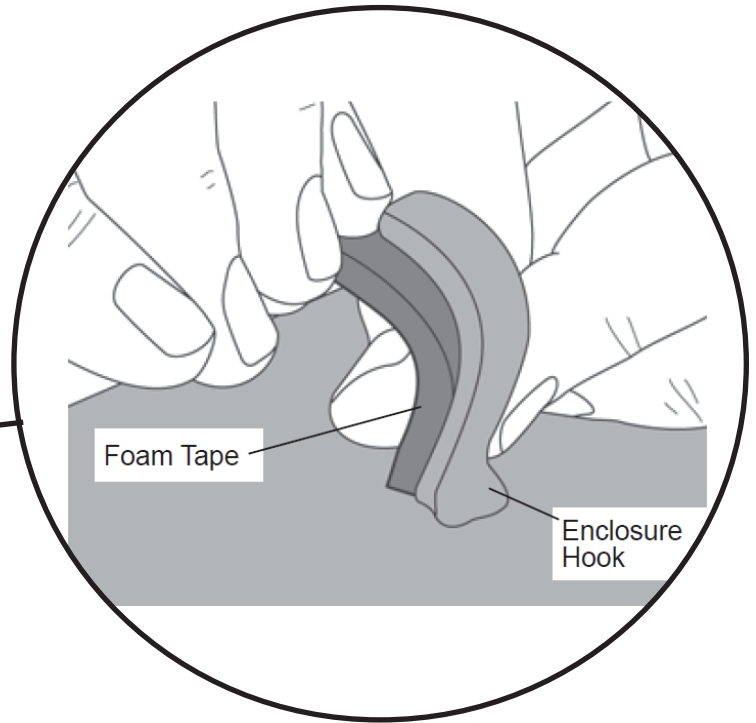
Panel, Right (Passenger) Side  
Part #587.88  
Qty. 1

**Tools**



Scissors

**Step 2**



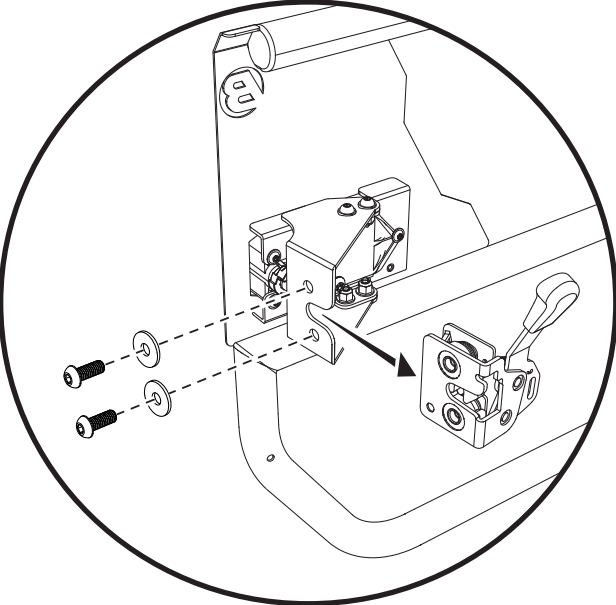
**Step 2**

Peel the backing off of the piece of foam tape then press it firmly into the curve of the hook. Repeat this step to all of the hooks.

**Step 1**

Cut the Foam Tape #449.09 to fit the hooks on the enclosures.

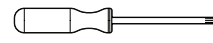
**Step 1**



**Step 1**

Remove the Rotor Assembly from the Rotor Bracket using the 5mm Hex Socket.

**Tools**



T20 and T30 Torx Driver

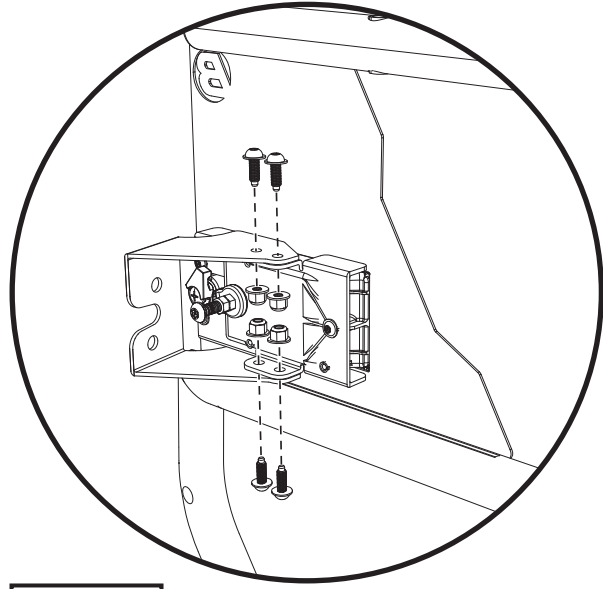


5mm Hex Socket



10 mm Wrench

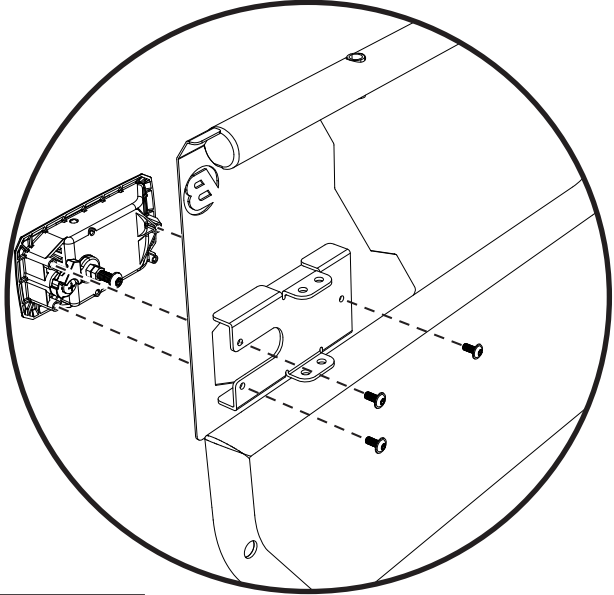
**Step 2**



**Step 2**

Remove the Rotor Bracket Bracket from the Door Handle using the T30 Torx Driver and the 10mm Wrench.

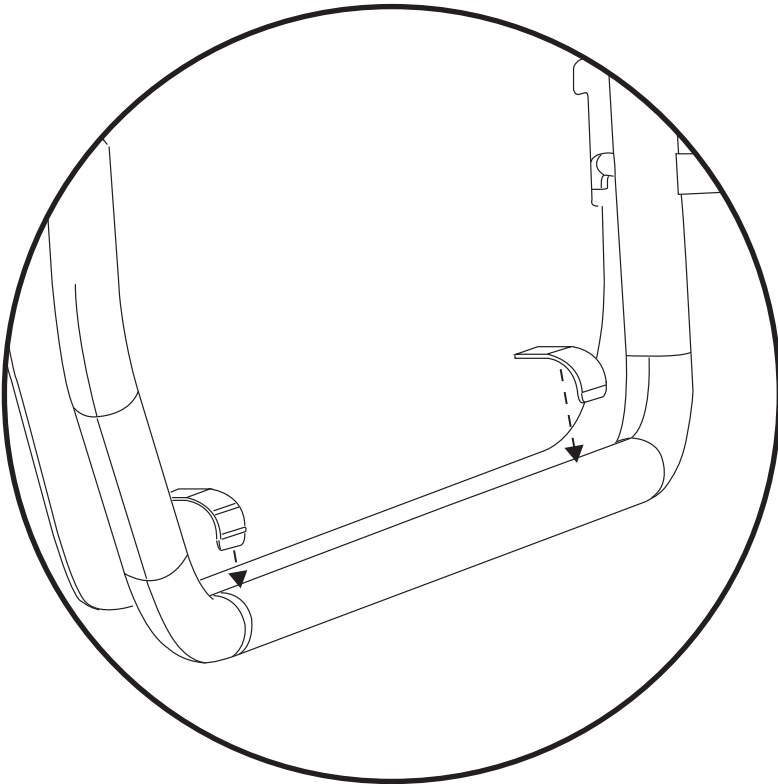
**Step 3**



**Step 3**

Remove the Paddles Handles from the Element door frames using the T20 Torx Driver.

**Step 1**



**Hardware**



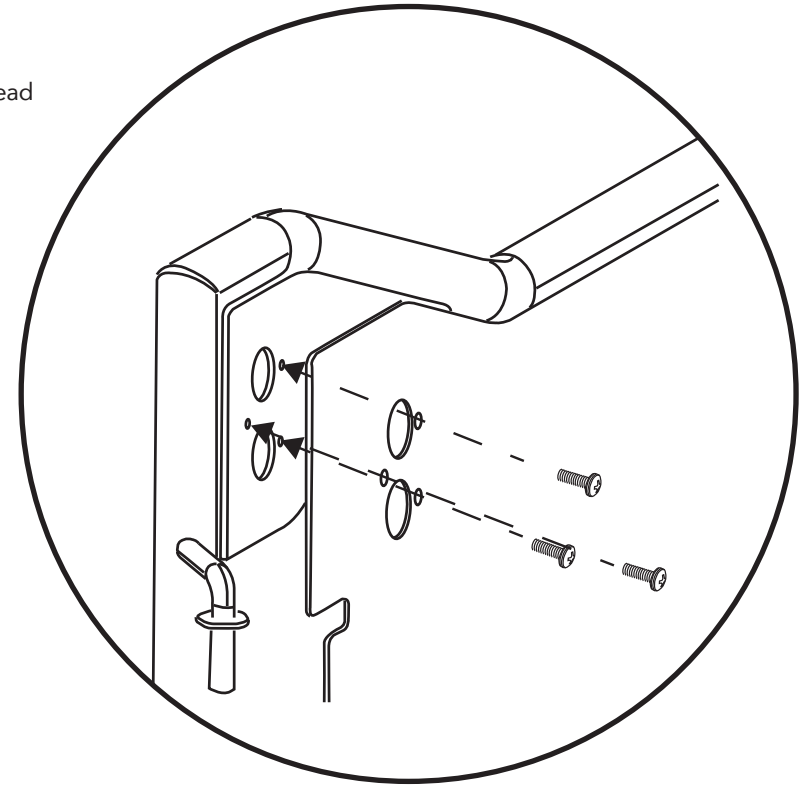
Screw, 1/4 - 20 x 3/4 Pan Head  
Part #257.92  
Qty 6

**Tools**



Phillips Screwdriver

**Step 2**



**Step 1**

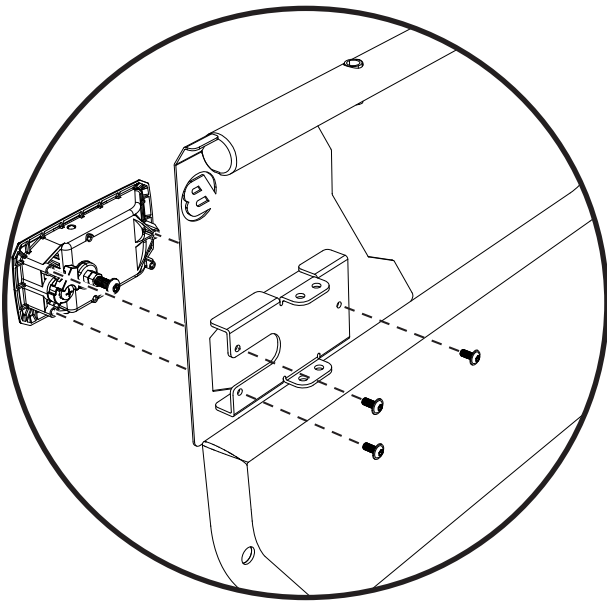
Place the hooks on the lower part of the Enclosure Panel onto the lower bar of the Element Door Frame.

**Step 2**

Install three (3) 1/4-20 x 3/4 inch screws Part # 257.92 Through the Enclosure panel into the plate located in the upper front corner of the Element Door frame.

The Enclosure Panel can also be secured by installing the OE mirrors from the factory doors. or Bestop Replacement Mirrors Part Number 51261-01.

Step 1



Step 1

Re-attach the Paddle Handle assemblies to the Element Doors.

Insert each Paddle Handle assembly into the pocket in the Element Door.

Make sure that the lock on the Paddle is toward the rear of the door.

Tools



T20 and T30 Torx Driver

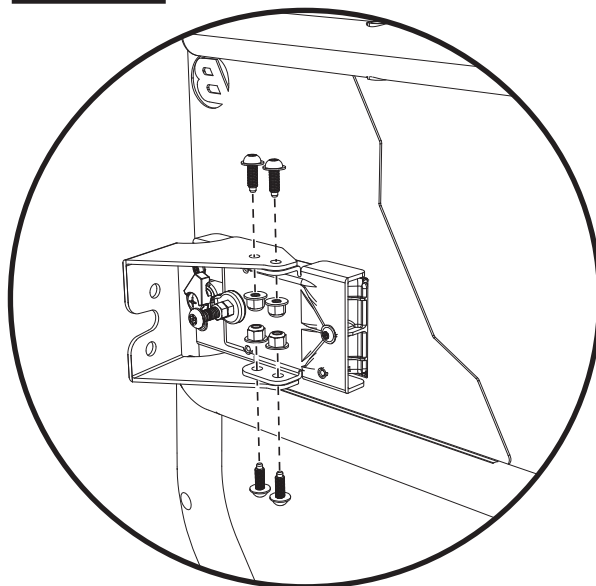


5mm Hex Socket



10 mm Wrench

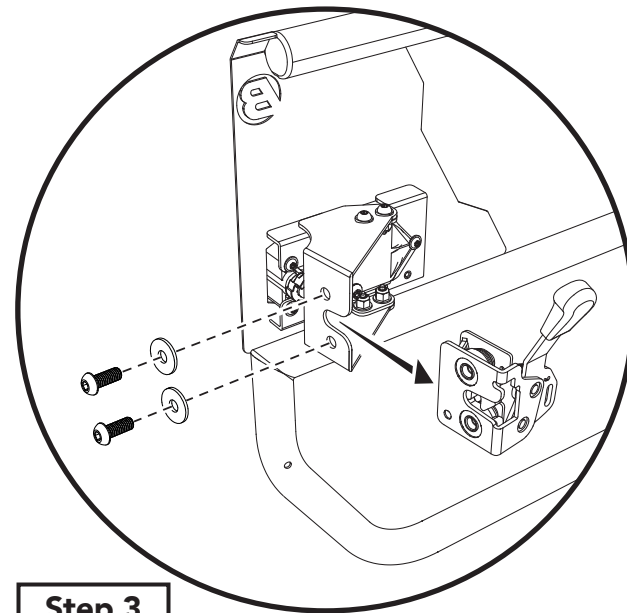
Step 2



Step 2

Re-attach the Rotor Brackets to the rear of the Paddle Latch pockets in each door.

Step 3



Step 3

Remove the Paddles Handles from the Element door frames using the T20 Torx Driver.

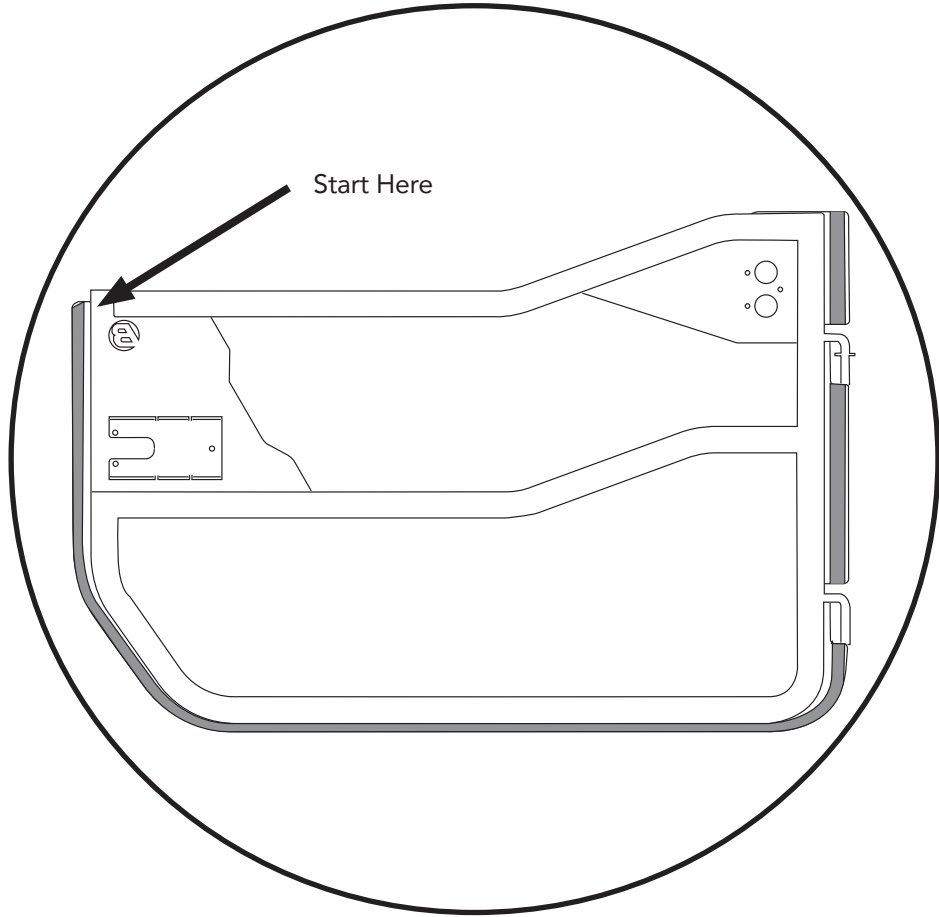
Re-attach the Rotor Assemblies to the Rotor Brackets.

Make sure that Rotor Assembly and Paddle Assembly are aligned to each other when assembled.

**NOTE:** Incorrectly-installed Rotor Assemblies will be crooked, and will run into the Rotor Brackets.

**Step 1**

**Hardware**



Seal  
Part #445.84  
Qty 1

**Step 1**

Cut the Seal in half. Peel off the strip from the adhesive Seal Part # 445.84 then start from the top of the Enclosure Panel (Inside) work your way down and around to the front of the door and up to the top front of the door. Cut the seal around the door pins.





## Installation Instructions Element Door Enclosure (Front)

Vehicle Application:  
Jeep® JL Wrangler, JL Wrangler Unlimited And Gladiator  
2018-current  
Part Number 51744

### WHAT BESTOP WARRANTS

Subject to the terms and conditions of sale, including any terms and conditions set forth by Bestop, Inc. ("Bestop" or "us" or "we") in our then-current terms of sale on our website (collectively, the "Terms"), Bestop represents and warrants that: the covered products listed in the "Covered Products and Warranty Periods" section (a "Product") will substantially be free from defects in materials and workmanship for the specified warranty periods set forth in that section.

### THE WARRANTY IS LIMITED AND CONDITIONAL

This warranty applies to the original purchaser of the Product only. The warranty is valid only as long as the original retail purchaser owns the vehicle upon which the Product is installed. The warranty expires should the Product be removed from the original vehicle or if the original vehicle is transferred to another owner. This warranty is not transferable or assignable. The warranty does not apply to Product bought from auction-style or price-bid websites.

THE LIMITED WARRANTY AND STATED REMEDIES ARE SOLE AND EXCLUSIVE AND IN LIEU OF ALL OTHER WARRANTIES AND REMEDIES, AND COMPANY EXPRESSLY DISCLAIMS ALL IMPLIED OR STATUTORY OR OTHER WARRANTIES, INCLUDING WITHOUT LIMITATIONS WARRANTIES OF MERCHANTABILITY, NON-INFRINGEMENT OR FITNESS FOR A PARTICULAR PURPOSE. IN NO EVENT WILL COMPANY BE LIABLE FOR ANY SPECIAL, INCIDENTAL, CONSEQUENTIAL, PUNITIVE, INDIRECT OR EXEMPLARY DAMAGES OF ANY KIND, INCLUDING LOST PROFITS OR REVENUE, HOWEVER CAUSED, WHETHER FOR BREACH OR REPUDIATION OF CONTRACT, TORT, BREACH OF WARRANTY, NEGLIGENCE, OR OTHERWISE, WHETHER OR NOT COMPANY WAS ADVISED OF THE POSSIBILITY OF SUCH LOSS OR DAMAGES.

Some states do not allow exclusion or limitation, so this may not apply to you. This warranty gives you specific legal rights, and you may have other rights which vary from state to state.

### EXCLUSIONS TO THE WARRANTY

The Limited Warranty excludes, and Bestop is not liable in any way for any warranty claims, damages, or defects related to:

- Misuse, abuse, accidents, vandalism, negligence, fire, or improper installation or modification, or improper or inadequate maintenance;
- Failure to comply with any Product documentation, Bestop instructions, or applicable law or regulations; use in extreme conditions
- Force Majeure including but not limited to, earthquake, hurricane, tornado, flooding, or other disasters natural or man-made, civil unrest, strikes, declared or undeclared war, or lack of performance by, or discontinued product of, supply chain partners whose products, software, operations or management is beyond the control of Bestop;
- Damage resulting in breakage (including without limitation, spontaneous breakage, accidental breakage or breakage by any other means) of a Product or any component part;
- Damage to vinyl windows due to misuse, or cracking due to varying weather conditions.

### YOUR SOLE REMEDY

During the applicable warranty period, Bestop shall, at its option, either repair or replace any Product that it confirms, in its discretion, is non-compliant with the warranties herein. Bestop will not pay for labor charges associated with installation or removal of the Product. Should a specific Product be discontinued, Bestop may, at its option, replace the discontinued Product with a current product or like product.

Please retain your proof of purchase. Original proof of purchase for the Product must accompany any warranty claim. If you have a warranty claim, first you must email Bestop Customer Service at [csbestop@bestop.com](mailto:csbestop@bestop.com) for instructions. All claims must be emailed to [csbestop@bestop.com](mailto:csbestop@bestop.com) within 30 days of discovery of a defective Product, but in no event later than thirty days after the end of the applicable Warranty Period (the "Warranty Notice Period"). Warranty claims made after the Warranty Notice Period are null and void and Bestop shall have no responsibility with respect to such claims.

THIS SECTION SETS FORTH BESTOP'S SOLE OBLIGATION & YOUR SOLE REMEDY WITH RESPECT TO ANY DEFECTS OR OTHER PRODUCT ISSUE. ANY PRODUCTS REPLACED UNDER TERMS OF THIS WARRANTY WILL BE COVERED UNDER TERMS & BALANCE OF THE DURATION OF THE ORIGINAL LIMITED WARRANTY FOR SUCH PRODUCT.



## Installation Instructions Element Door Enclosure (Front)

Vehicle Application:  
Jeep® JL Wrangler, JL Wrangler Unlimited And Gladiator  
2018-current  
Part Number 51744

**COVERED PRODUCTS AND WARRANTY PERIODS:** The warranty time periods are as follows for Products manufactured by Bestop:

### **BESTOP® LIMITED LIFETIME WARRANTY**

Trektop® Pro Twill Fabric Top Sunrider® for Hardtop Twill Fabric Top  
Trektop® NX Glide Twill Fabric Top Replace-a-Top™ Twill Fabric Top  
Trektop® NX Twill Fabric Top Supertop® NX Twill Fabric Top  
EZFold™ Soft Tonneaus Floor & Cargo Liners  
ZipRail™ Soft Tonneaus Pet Barriers  
EZRoll™ Soft Tonneaus

### **BESTOP® 5-YEAR LIMITED WARRANTY**

Trektop® NX Glide™ Top (non-Twill) Sunrider® for Hardtop (non-Twill) Replace-a-Top™ Top (non-Twill) Trektop® NX Top (non-Twill)  
Sailcloth Replace-a-Top™ Supertop® NX Top (non-Twill)  
Tigertop™ and Halftop™ Supertop® Classic Soft Top Sunrider® Complete Soft Top Supertop® for Truck  
EZ Fold Hard Tonneau

### **BESTOP® 3-YEAR/100K MILES LIMITED WARRANTY**

Powerboard® & Powerboard® NX

Trekstep®, Side Mount  
Trekstep®, Rear Mount

### **BESTOP® 3-YEAR LIMITED WARRANTY**

Pavement Ends Sprint Top

### **BESTOP® 2-YEAR LIMITED WARRANTY**

Trektop® Classic Soft Top  
RoughRider™ Soft Storage

### **BESTOP® 1-YEAR LIMITED WARRANTY**

All other Bestop® & Pavement Ends™ products not specified above.

**For further information or request for warranty work, please contact:**

**Bestop Inc. Customer Service**  
**Toll-Free: (800)845-3567**  
**Main: (303)465-1755**  
**E-mail: [csbestop@Bestop.com](mailto:csbestop@Bestop.com)**  
**Website: [www.Bestop.com](http://www.Bestop.com)**