

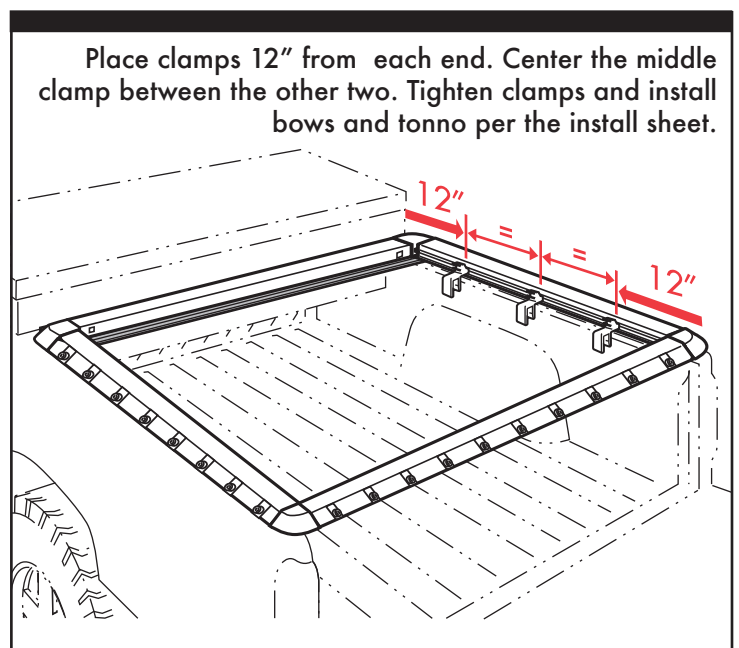
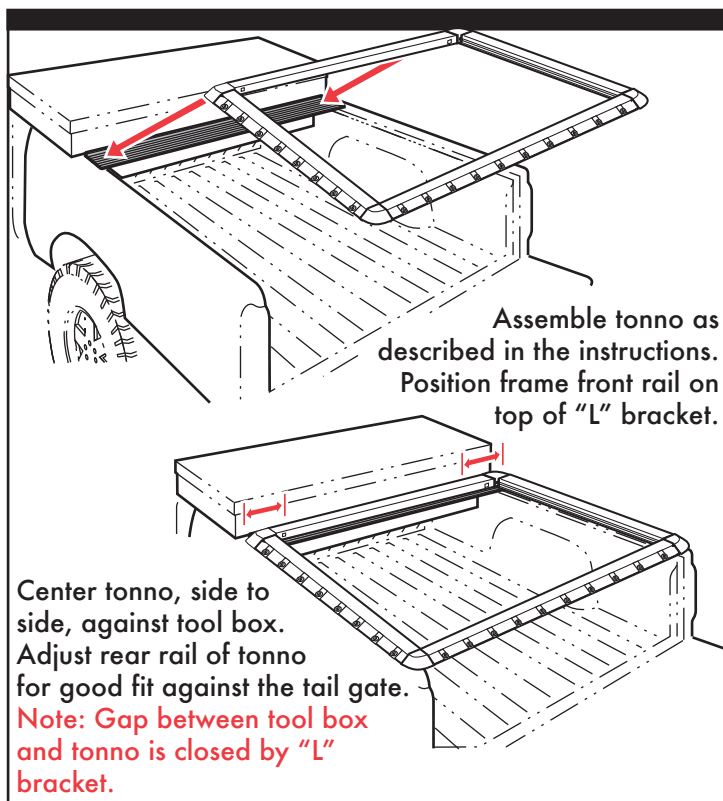
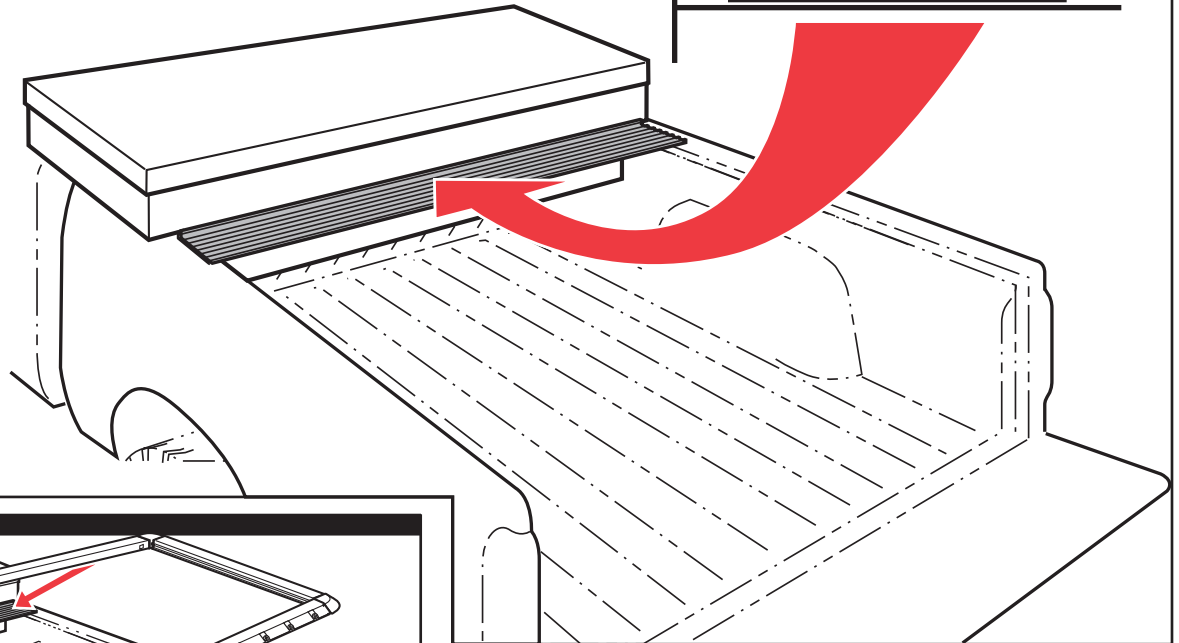
TOOL BOX TONNO

SPECIAL ORDER

SUPPLEMENT to INSTALLATION INSTRUCTIONS

NOTE: These instructions are for adding a tonno to an existing truck tool box installation. They are supplemental to steps in the regular installation instructions included with your tonno. You may wish to fasten the "L" bracket permanently to your tool box using bolts and screws.

Place "L" bracket against tool box with foam seal between the bottom of the "L" bracket and truck bed.



extang
AMERICA'S BEST
SELLING TONNEAUS

Extang Corporation
5400 S. State Rd.
Ann Arbor MI 48108
734-677-0444, Fax: 734-677-8409

Register your warranty at:

extang.com

Item No. 0123 -1403 RH Printed in U.S.A.