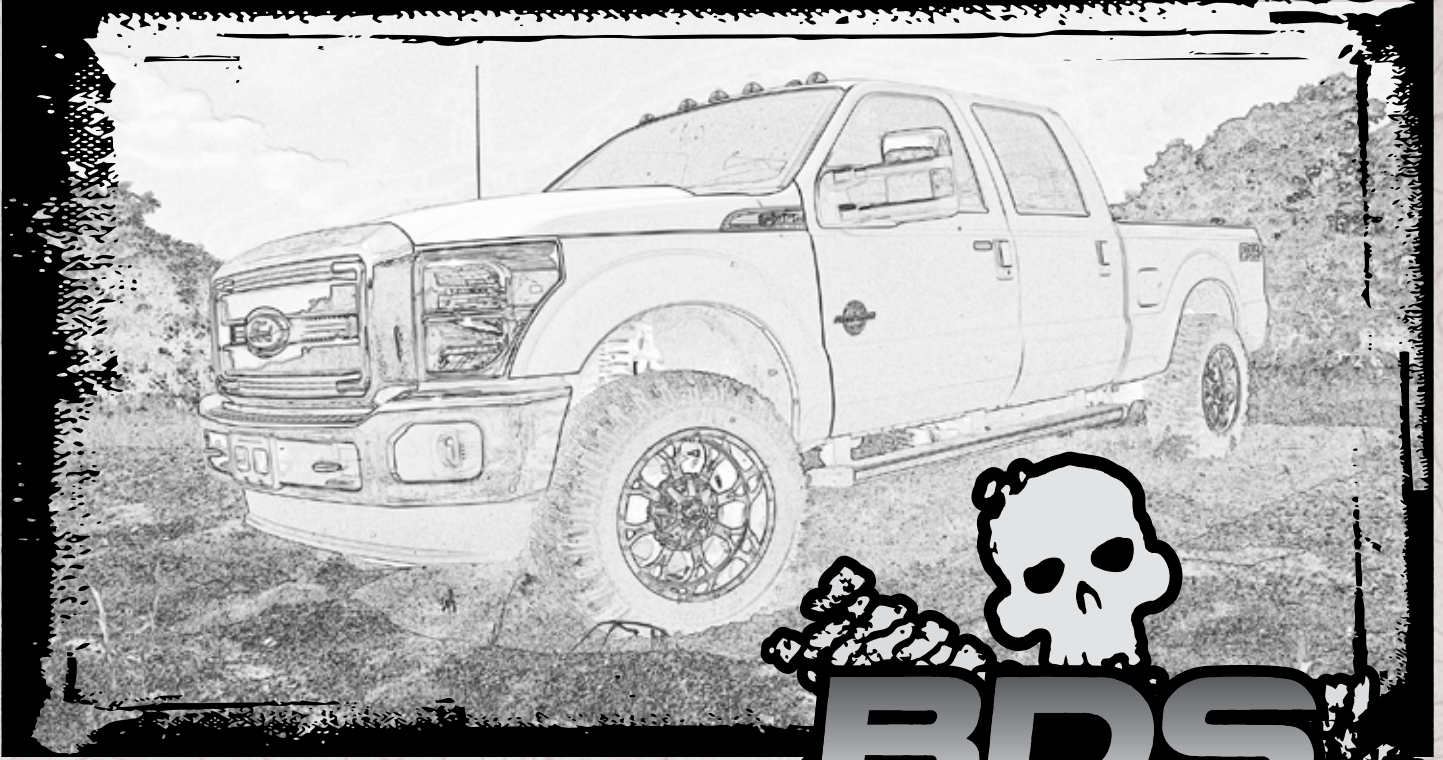


INSTALLATION GUIDE



Part#: 013254

HARDCORE LIMITED LIFETIME WARRANTY

Ford F-250 / 350 2-1/2" Coil Kit w/ CAMs

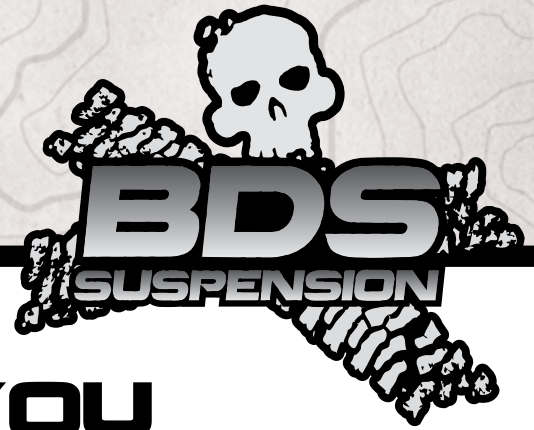
Ford F-250, F350 | 2011-2016

Rev.010417

491 W. Garfield Ave., Coldwater, MI 49036 • Phone: 517-279-2135

Web/live chat: www.bds-suspension.com • E-mail: tech-bds@sporttruckusainc.com

Read And Understand All Instructions And Warnings Prior To Installation Of System And Operation Of Vehicle.



THANK YOU

Your truck is about to be fitted with the best suspension system on the market today. That means you will be driving the baddest looking truck in the neighborhood, and you'll have the warranty to ensure that it stays that way for years to come. Thank you for choosing BDS Suspension!

BEFORE YOU START

BDS Suspension Co. recommends this system be installed by a professional technician. In addition to these instructions, professional knowledge of disassembly/ reassembly procedures and post installation checks must be known.

FOR YOUR SAFETY

Certain BDS Suspension products are intended to improve off-road performance. Modifying your vehicle for off-road use may result in the vehicle handling differently than a factory equipped vehicle. Extreme care must be used to prevent loss of control or vehicle rollover. Failure to drive your modified vehicle safely may result in serious injury or death. BDS Suspension Co. does not recommend the combined use of suspension lifts, body lifts, or other lifting devices. You should never operate your modified vehicle under the influence of alcohol or drugs. Always drive your modified vehicle at reduced speeds to ensure your ability to control your vehicle under all driving conditions. Always wear your seat belt.

BEFORE INSTALLATION

- Special literature required: OE Service Manual for model/year of vehicle. Refer to manual for proper disassembly/reassembly procedures of OE and related components.
- Adhere to recommendations when replacement fasteners, retainers and keepers are called out in the OE manual.
- Larger rim and tire combinations may increase leverage on suspension, steering, and related components. When selecting combinations larger than OE, consider the additional stress you could be inducing on the OE and related components.
- Post suspension system vehicles may experience drive line vibrations. Angles may require tuning, slider on shaft may require replacement, shafts may need to be lengthened or trued, and U-joints may need to be replaced.
- Secure and properly block vehicle prior to installation of BDS Suspension components. Always wear safety glasses when using power tools.
- If installation is to be performed without a hoist, BDS Suspension Co. recommends rear alterations first.
- Due to payload options and initial ride height variances, the amount of lift is a base figure. Final ride height dimensions may vary in accordance to original vehicle attitude. Always measure the attitude prior to beginning installation.



Visit 560plus.com for more information.

TIRES AND WHEELS

35x12.50x17(18)(20) Tire
4-1/2" ~ 5" Backspace Wheel



BEFORE YOU DRIVE

Check all fasteners for proper torque. Check to ensure for adequate clearance between all rotating, mobile, fixed, and heated members. Verify clearance between exhaust and brake lines, fuel lines, fuel tank, floor boards and wiring harness. Check steering gear for clearance. Test and inspect brake system.

Perform steering sweep to ensure front brake hoses have adequate slack and do not contact any rotating, mobile or heated members. Inspect rear brake hoses at full extension for adequate slack. Failure to perform hose check/ replacement may result in component failure. Longer replacement hoses, if needed can be purchased from a local parts supplier.

Perform head light check and adjustment.

Re-torque all fasteners after 500 miles. Always inspect fasteners and components during routine servicing.

CONTENTS OF YOUR KIT

033251 - 2.5" Coil Springs

Part #	Qty	Description
033251R	2	Coil Spring

013254 - Front Box Kit

Part #	Qty	Description
A230	1	Trackbar Assembly
B1068	1	Trackbar Bag Kit
3535BK	2	Trackbar Bushings - Black
107	1	Trackbar Sleeve
516	1	Grease Zerk
B1116	1	2-1/2" Component Bag Kit
232681	2	Alignment Cam
02518	2	Superduty Front Coil Shim
02519	2	4 degree Bolt Adaptor
824	1	Bolt Pack - Lower Coil Seat
02824	1	Brakeline Bracket - DRV
02825	1	Brakeline Bracket - Pass
342701	1	loctite

069408 - Rear 4" Block Kit

Part #	Qty	Description
02786	2	4" Superduty Rear Block
UBT4031	4	5/8" x 3-1/8" x 14" Semi Round U-bolts

013519 - 5" Rear Block Kit (Optional)

Part #	Qty	Description
02414	2	5" Rear Superduty Block
02415	2	Superduty Rear Spring Plate
343581500RB	4	3/4" x 3-5/8" x 15" Round U-bolt
B236	1	Bag Kit
N34FLG	8	3/4" Serrated Edge Flanged Nut

TROUBLESHOOTING INFORMATION FOR YOUR VEHICLE

1. Trackbar mounting bolt requires 405 ft-lbs of torque, plan ahead on how to achieve this.
2. If installing optional coilovers, there is a separate instruction sheet for coilover and bracket installation. Follow those steps when it is time to install coilover with bracket.

INSTALLATION INSTRUCTIONS

INSTALLATION INSTRUCTIONS

1. Park the vehicle on a clean, flat surface and block the rear wheels for safety.
2. Raise the front of the vehicle and support under the frame rails with jack stands.

**Tip**

As a result of the location of the long radius arm suspension, support locations are limited. Use your best judgment while supporting the vehicle with sufficient strength stands at appropriate locations. The radius arms will need to move freely during this installation as they will be replaced. This step is necessary to dislodge the tapered track bar mount in the follow step.

3. Remove the track bar ball joint nut at the axle. (Fig 1) Thread the nut back on a couple of turns. Raise the axle a couple of inches with the jack. Place an appropriate sized pry bar between the axle mount and the track bar. (Fig 2) Lower the axle to pinch the pry bar between the track bar and axle mount. Take your hands off of the pry bar. Continue lowering the axle until the track bar unseats from the taper. Remove the nut and track bar from the ball joint. Save nut.

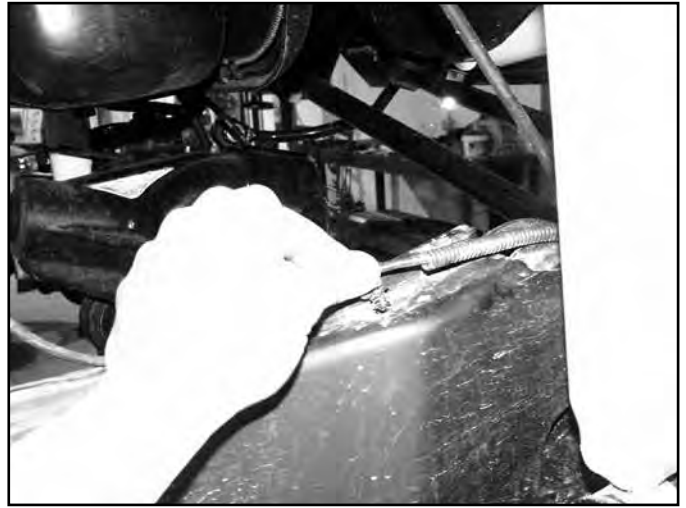
FIGURE 1**FIGURE 2**

4. Disconnect the front track bar from the frame mount.
5. Remove the stock track bar. Retain all hardware.
6. Remove the front wheels.
7. Support the front axle with a hydraulic jack. With the axle supported this installation can be performed on both sides at the same time, but is not necessary.
8. Disconnect the sway bar links from the axle mounts. Retain hardware.
9. Remove the OE shock. Retain lower mounting hardware.
10. Remove the ABS line from the metal retaining tab on the radius arm (Fig 3). Pull the plastic retaining clip free from the radius arm (Fig 4).

FIGURE 3



FIGURE 4



11. Remove the two bolts mounting the plastic ABS wire clips to the back side of the coil perch (Fig 5). Retain hardware.

FIGURE 5

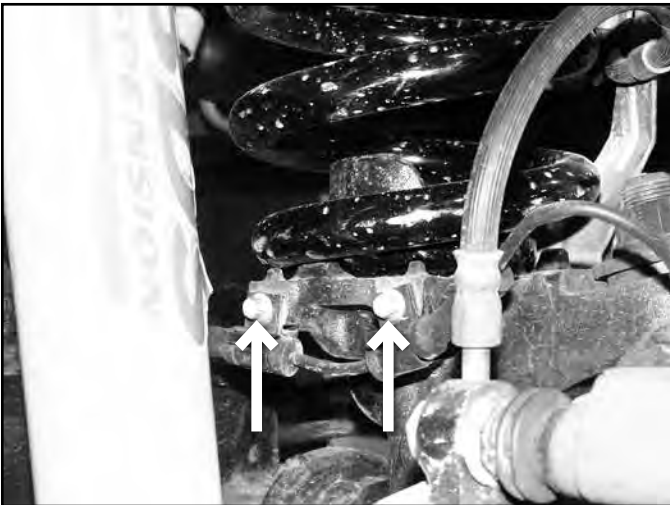


FIGURE 6



12. Disconnect the brake line bracket from the front of the coil perch (Fig 6). Retain hardware.

13. Free the hub vacuum line from the axle (Fig 7, 8).

FIGURE 7



FIGURE 8



COIL / BALL JOINT CAM INSTALLATION

Note for Fox 2.5" Coilover Only: If installing optional coilovers, see separate instruction sheet for bracket and coilover installation. The lower wedge bracket will not be used w/ coilover kits.

14. Lower the axle until the spring is free and remove the spring from the vehicle. Note: Do not over extend the brake lines.
15. Remove the factory lower coil mount, discard bolt.
16. Remove the cotter pin from the upper ball joint.
17. Loosen the upper ball joint stud until the nut is level with the top of the stud. Strike the axle "ear" near the upper ball joint to release the ball joint to sleeve taper.

Note: The top of the stud can also be struck using a soft blow hammer to aid in loosening the taper. Take care not to damage the stud/nut threads.

18. Remove the OE ball joint sleeve from the axle using the appropriate removal tool (SPC #41550 or equivalent).
19. Install the new sleeve with the arrow on the top of the sleeve pointing toward the front of the vehicle. Using the old sleeve, pound down on the new sleeve to seat it on the ball joint taper. Make sure that the flat of the sleeve is flush with the flat of the axle.
20. Install and torque the OE ball joint nut to 120 ft-lbs. Install the cotter pin.

Note: Do not loosen the nut to install the cotter pin.

21. Install the shim under the factory coil spring mount with the thick end of the shim at the FRONT of the vehicle. Place the machined washer on the inside of the coil spring mount, thick area of machined washer will be at the REAR of vehicle. Attach with new 14mm bolt with lock washer (#824), tighten to 65 ft-lbs. (Fig 9a, 9b).

FIGURE 9A

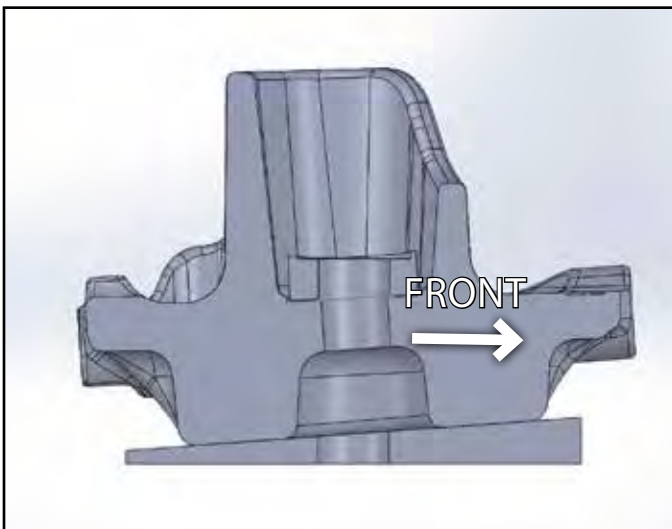
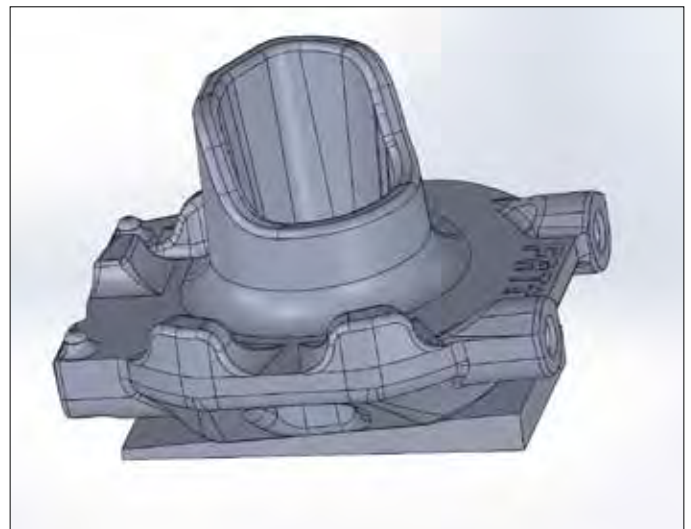


FIGURE 9B

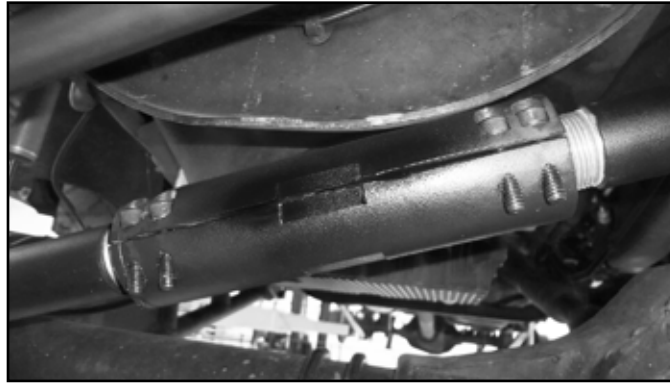


22. Install new coils with the factory rubber isolators located on top of the coils.
23. Compress the coils slightly by using a hydraulic jack on the axle. Install new shocks with factory lower hardware and stem washers, bushings, and 1/2" fine thread nut on the upper mount. Tighten the upper mount until the bushings begin to swell. Tighten lower mount to 50 ft-lbs.
24. Reattach all brake and vacuum lines to the original locations with the OE mounting hardware. The rubber grommets on the ABS wire can be slid by spraying the ABS wire with silicone spray.
25. Reattach the sway bar links to the axle with the OE hardware and tighten securely.
26. Install the wheels and lower the vehicle to the ground.

TRACKBAR INSTALLATION

27. Grease and install bushings and sleeves into track bar. Thread grease zerk into track bar. Remove (4) allen bolts and apply loc-tite to threads.
28. Adjust the track bar length (eye to eye) to 37-1/8" for 2-1/2" lift, 37-1/2" for 4" lift.
29. Install track bar into vehicle with the grease fitting facing down at the frame mount with factory bolt. Check the trackbar collar to frame crossmember for adequate clearance. A small amount of grinding on the frame crossmember lip may be required for clearance to the trackbar under compression clearance. (Fig Trackbar Clearance Check)

FIGURE TRACKBAR CLEARANCE CHECK



30. Attach the axle mount to the track bar. It may be necessary to have an assistant turn the wheel to get the mount to line up. Square the mount up to the factory joint. Attach with factory nut. Tighten to 184 ft-lbs
31. Ensure the axle is square under the vehicle. Additional adjustment of the track bar collar may be required. Do not extend past 37-5/8" eye-eye measurement, due to the maximum length of the factory drag link.
32. Tighten pinch bolt collar. Tighten to 40 ft-lbs, check the turnbuckle to ensure that it will not rotate, additional tightening may be required.
33. Tighten track bar hardware at the frame to 405 ft-lbs. Grease the track bar mount at the frame.
34. Install new brake line drop brackets onto the side of the frame with factory hardware and clip. (Fig 10a, 10b)

FIGURE 10A



FIGURE 10B



35. Check all hardware for proper torque.
36. Adjust steering wheel to center.
37. Check hardware after 500 miles.

REAR INSTALLATION 4" BLOCK KIT (5" BLOCK - SEE 013518-013519 INSTRUCTION SHEET)

Rear Installation Note: The factory rear block will vary depending on the vehicle model. F-250s will have a 1-7/8" block and F-350s will have a 3-3/4" block. In both cases, replacing the factory block with the new provided block will net the same level stance regardless of vehicle model.

38. Block the front wheels for safety.
39. Raise the rear of the vehicle and support with jack stands under the frame rails just ahead of the spring hangers.
40. Remove the wheels.
41. Support the axle with a hydraulic jack.
42. Remove the factory shocks. Retain all mounting hardware.
43. Disconnect the passenger's side spring u-bolts. (Fig 11)

FIGURE 11



44. Remove the factory lift block. It will not be reused.
45. Lower the axle enough to place the provided 4" lift block between the axle and the leaf spring. Position the block so the bump stop wing faces inward.
46. Raise the axle to engage the block spring alignment pin. (Fig 12) Fasten the entire assembly with the provided u-bolts, high nuts and washers. Snug but do not torque the u-bolts at this time.

FIGURE 12



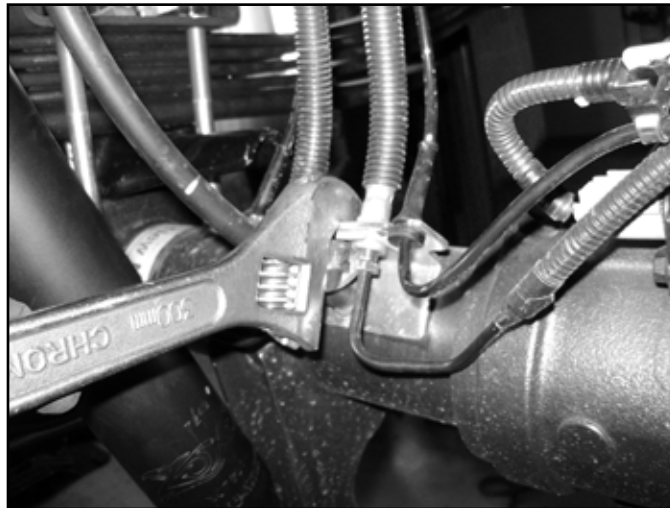
47. Repeat block installation of the driver's side. Take care not to over extend the brake lines.
48. If more parking brake cable slack is needed, remove the cable from the rear-most retaining bracket on the frame. (Fig 13)

FIGURE 13



49. The brakelines may require additional slack. Located the factory bracket on the axle. Using an adjustable wrench, carefully bend the bracket so the fittings are positioned vertical to allow more slack. (Fig 14)

FIGURE 14



50. Install the new shocks with the original mounting hardware. Tighten to 55 ft-lbs.
51. Install wheels and lower the vehicle to the ground.
52. With the weight of the vehicle on the axle, torque the u-bolts to 130-150 ft-lbs.
53. Torque lug nuts to factory specification.
54. Recheck all hardware for proper torque, check again after 500 miles and at regularly scheduled maintenance intervals.



WE WANT TO SEE YOUR RIDE!

Grab photos of your BDS-equipped truck in action and send them in for a chance to be featured. Send it in to our Bad Ass Rides customer gallery at bds-suspension.com/bar and post them on the BDS Fan Page on Facebook at facebook.com/BDSSuspensions. Don't forget about your BDS swag! BDS offers t-shirts, hoodies, decals and more available on the BDS website or through your local BDS distributor.

TIME TO HAVE SOME FUN

Thank you for choosing BDS Suspension.

For questions, technical support and warranty issues relating to this BDS Suspension product, please contact your distributor/installer before contacting BDS Suspension directly.