

### DIMENSIONS - MM

Part Number	A	B	C	D	E	F	G	H	I	J
35030	188.0	100.0	171.5	170.0	84.0	520.0	1/4" (M)	630.0	7.0	8.40
35033	188.0	100.0	171.5	170.0	84.0	520.0	1/4" (M)	630.0	7.0	8.40

\* All measurements in millimeters, unless otherwise noted.

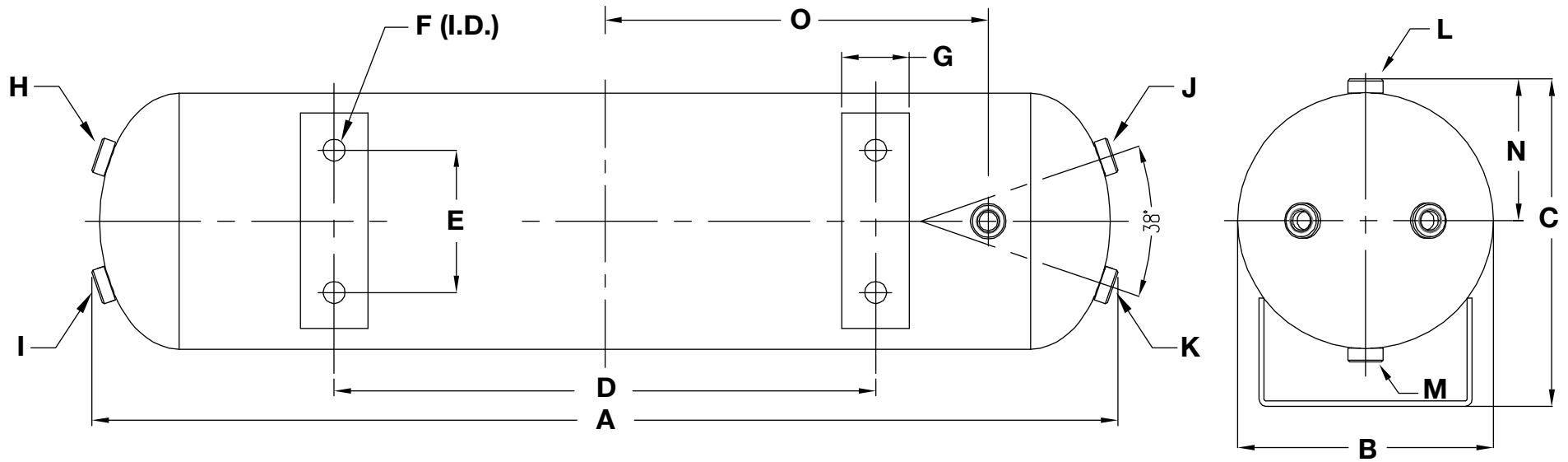
\*\* All fittings are NPT, unless otherwise noted.

### DIMENSIONS - IN

Part Number	A	B	C	D	E	F	G	H	I	J
35030	7.40	3.94	6.75	6.69	3.31	20.47	1/4" (M)	24.80	0.28	0.33
35033	7.40	3.94	6.75	6.69	3.31	20.47	1/4" (M)	24.80	0.28	0.33

\* All measurements in inches, unless otherwise noted.

\*\* All fittings are NPT, unless otherwise noted.



**DIMENSIONS - MM**

Part Number	A	B	C	D	E	F	G	H	I	J	K	L	M	N	O
91022	491.7	151.0	193.5	209.5	84.0	12.95	40.0	1/4" (F)	1/4" (F)	1/4" (F)	1/4" (F)	1/4" (F)	1/4" (F)	83.5	169.0

\* All measurements in millimeters, unless otherwise noted.  
\*\* All fittings are NPT, unless otherwise noted.

**DIMENSIONS - IN**

Part Number	A	B	C	D	E	F	G	H	I	J	K	L	M	N	O
91022	19.36	5.94	7.62	8.25	3.31	.51	1.57	1/4" (F)	1/4" (F)	1/4" (F)	1/4" (F)	1/4" (F)	1/4" (F)	3.29	6.65

\* All measurements in inches, unless otherwise noted.  
\*\* All fittings are NPT, unless otherwise noted.