

RD169

Dana 60HD,C-Clip,35 SPL,4.10 & DN

PARTS LIST

ITEM #	QTY	DESCRIPTION	PART #	NOTES
1	1	SPLINED SIDE GEAR	SEE NOTE	3
2	1	SPIDER BLOCK	070404SP	
3	1	LONG CROSS SHAFT	061501SP	
4	1	SIDE GEAR	SEE NOTE	3
5	2	SIDE GEAR THRUST WASHER	SEE NOTE	5
6	1	COUNTERSUNK SCREW (PK OF 2)	200214SP	
7	1	RETAINING PIN SET (PK OF 4)	120601SP	
8	1	SEAL HOUSING O-RINGS (PK OF 2)	160248SP	1
9	1	SEAL HOUSING KIT	082104SP	
10	1	SHIM KIT	SHK001	
*	2	MASTER SHIM	SEE NOTE	4
11	2	TAPERED ROLLER BEARING	NOT SUPPLIED	2
12	1	FLANGE CAP KIT	028606SP	
13	1	BONDED SEAL	160703SP	
14	1	CLUTCH GEAR & WAVESPRING KIT	050907SP	7
*	1	CLUTCH GEAR & RETURN SPRINGS KIT	050807SP	7
15	1	WAVESPRING	150707SP	7
*	1	RETURN SPRINGS KIT	150107SP	7
16	1	SHORT CROSS SHAFT	061601SP	
17	3	PINION GEAR	SEE NOTE	3
18	3	PINION THRUST WASHER	SEE NOTE	5
19	1	DIFFERENTIAL CASE (SUITS WAVESPRING ONLY)	013228SP	6
*	1	DIFFERENTIAL CASE (SUITS RETURN SPRINGS ONLY)	013208SP	6
*	1	BULKHEAD FITTING KIT (BANJO TYPE)	170114	8
*	1	AIR LINE (6mm DIA X 6m LONG)	170314	8
*	1	SOLENOID VALVE (12V)	180103	
*	1	SWITCH	180209SP	
*	1	SWITCH COVER (FRONT)	180210SP	
*	1	SWITCH COVER (REAR)	180211SP	
*	1	CABLE TIE (PK OF 25)	180305	
*	1	OPERATING & SERVICE MANUAL	210200	
*	1	INSTALLATION GUIDE	2102169	

* *Not illustrated in exploded view*

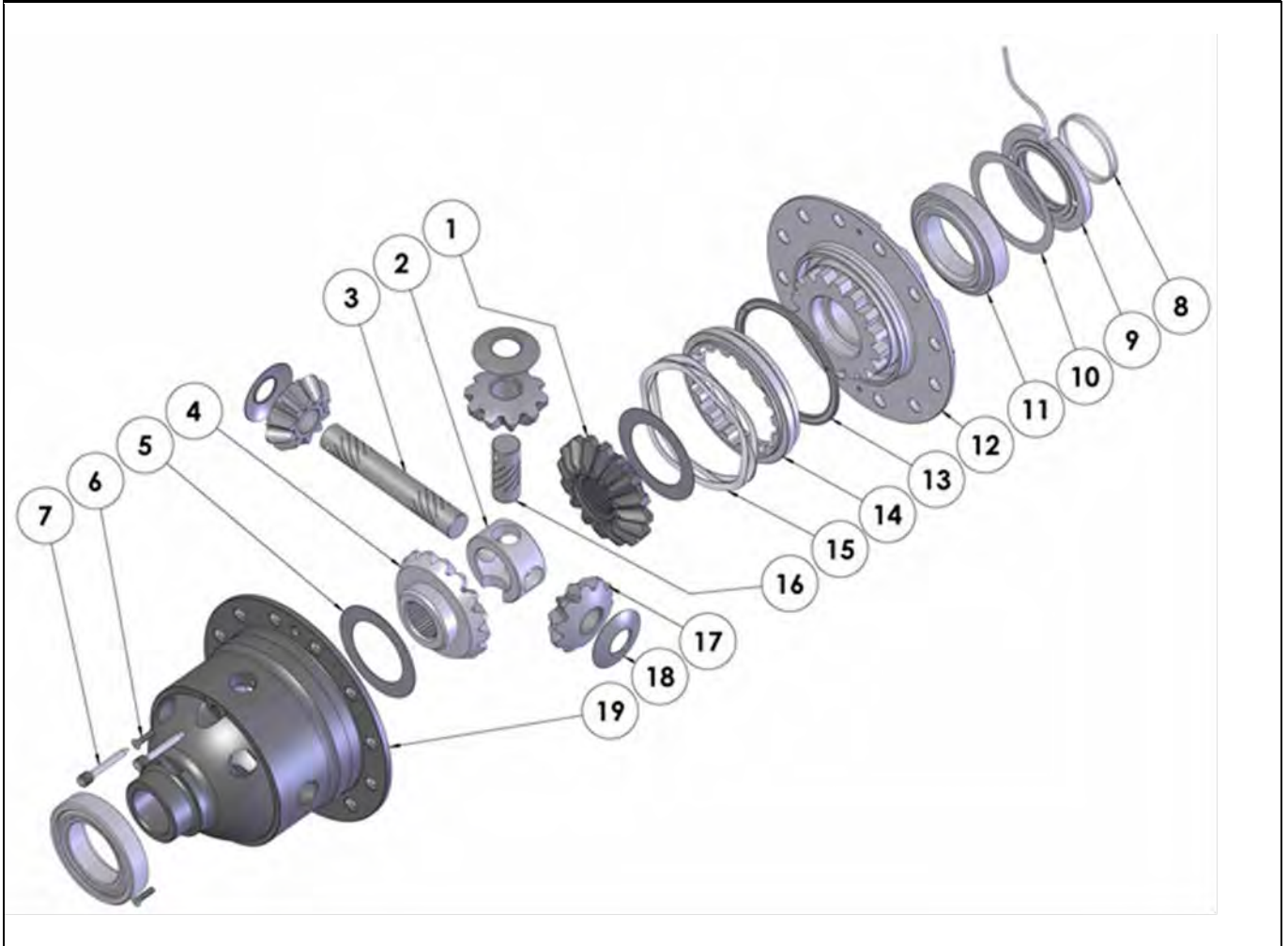
NOTES

- 1 For replacement O-rings use only BS140 Viton 75.
- 2 For replacement bearing use Timken part # 387A / 382S.
- 3 Available only as complete 5 gear set #728K071C.
- 4 Use 150331 (4.0mm thick) for diff with thin bearing cup.
- 5 Available only as complete thrust washer kit #730K01.
- 6 Identify the spring type in your diff and order the correct diff case to replace.
- 7 Replace the spring and/or the corresponding clutch gear with the same type.
(If spring type is changed, a matching diff case must also be used. See item 19.)
- 8 All diffs produced before serial #17070001 came with 5mm air connection system. For information contact ARB.
- For ratios of 4.56:1 and up refer to RD168 ([Section 2.168](#)).
- For Dana 60HD non C-clip model refer to RD167 ([Section 2.167](#)).

RD169

Dana 60HD,C-Clip,35 SPL,4.10 & DN

EXPLODED DIAGRAM



SPECIFICATIONS

Axle Spline	35 tooth, Ø38.1mm [1.50"]
Ratio Supported	4.10:1 & dn
Ring Gear ID	162.0mm [6.38"]
Ring Gear OD	248mm [9.75"]
Ring Gear Bolts	12 bolts on Ø191mm [7.50"]
Ring Gear Torque	149Nm [110 ft-lb]
Backlash	0.15-0.25mm [0.006-0.010"]
Bearing Cap Torque	108Nm [80 ft-lb]

ARB Corporation Ltd • 42-44 Garden St Kilsyth VIC 3137 Australia
ARB 4X4 Accessories USA • 720 SW 34th St Renton WA 98057 USA
Australia & International Customer Service • +61 3 9761 6622
North America Customer Service • Toll Free 866 293 9078
www.arb.com.au (AUS & Int) www.arbusa.com (N. America)

