

**RD218**

LR Discovery 3, RR, 31 SPL

### PARTS LIST

ITEM #	QTY	DESCRIPTION	PART #	NOTES
01	1	BONDED SEAL	160702SP	
02	1	CLUTCH GEAR & WAVESPRING	050906SP	
03	4	PINION THRUST WASHER	SEE NOTE	4
04	4	PINION GEAR	SEE NOTE	2
05	1	LONG CROSS SHAFT	060204SP	
06	2	SHORT CROSS SHAFT	060403SP	
07	1	SIDE GEAR	SEE NOTE	2
08	1	DIFFERENTIAL CASE	013042SP	
09	1	COUNTERSUNK SCREW (PK OF 2)	200213SP	
10	1	RETAINING PIN SET (PK OF 4)	120601SP	
11	1	OE MASTER SHIM	NOT SUPPLIED	
12	1	SHIM KIT	SHK001	
13	1	SEAL HOUSING KIT	081822SP	
14	1	SEAL HOUSING O-RINGS (PK OF 2)	160248SP	1
15	2	TAPERED ROLLER BEARING	NOT SUPPLIED	3
16	1	FLANGE CAP KIT	027342SP	
17	1	WAVESPRING	150706SP	
18	2	SIDE GEAR THRUST WASHER	SEE NOTE	4
19	1	SPLINED SIDE GEAR	SEE NOTE	2
20	1	SPIDER BLOCK	070201SP	
*	1	BULKHEAD FITTING KIT (BANJO TYPE)	170114	5
*	1	AIR LINE (6mm DIA X 6m LONG)	170314SP	5
*	1	SOLENOID VALVE (12V)	180103	
*	1	SWITCH	180209SP	
*	1	SWITCH COVER (REAR)	180211SP	
*	1	CABLE TIE (PK OF 25)	180305	
*	1	OPERATING & SERVICE MANUAL	210200	
*	1	INSTALLATION GUIDE	2102218	

\* *Not illustrated in exploded view*

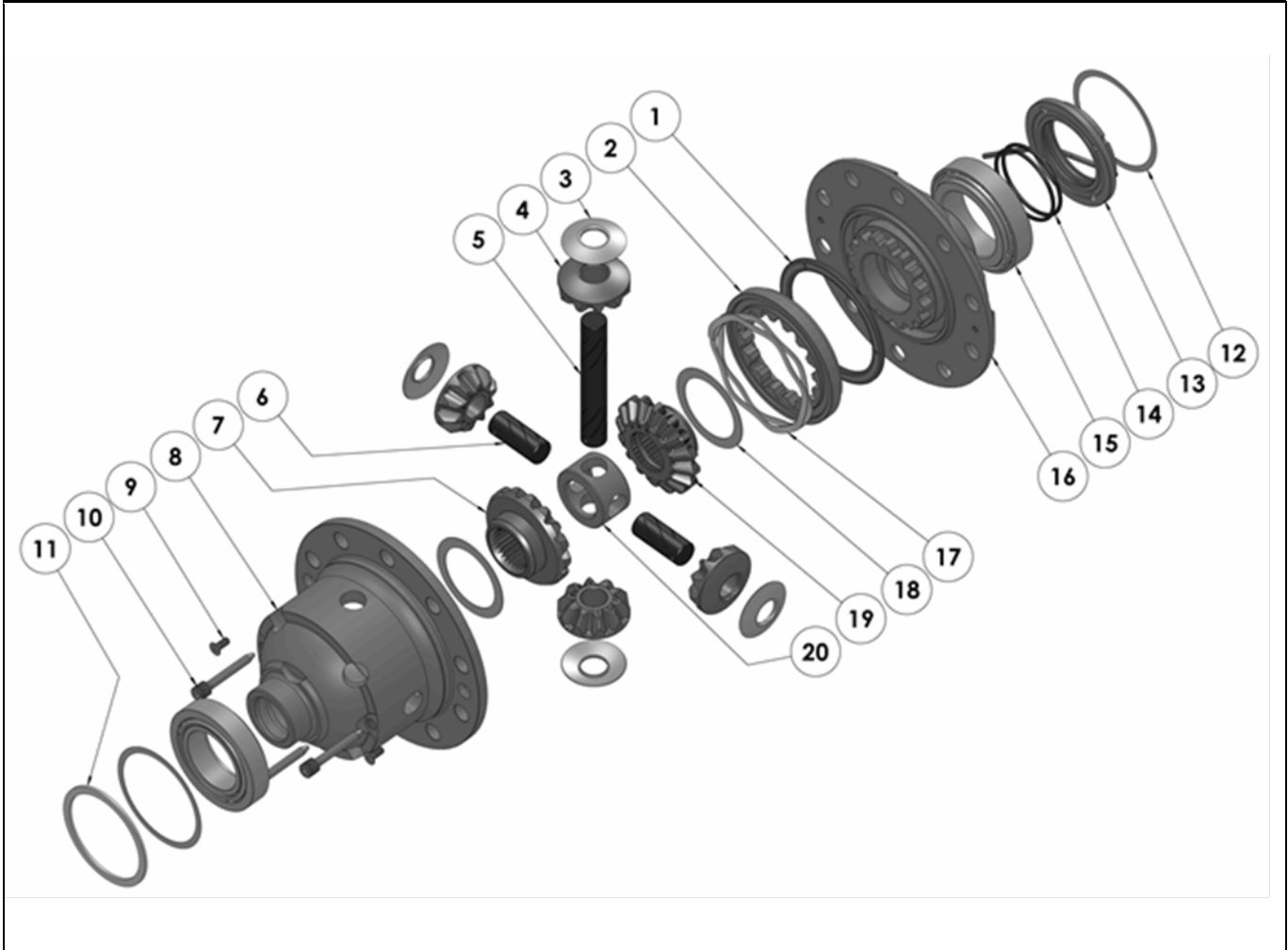
### NOTES

- 1 For replacement O-rings use only BS140 Viton 75.
- 2 Available only as complete 6 gear set # 728H211
- 3 This differential uses 2 different sized carrier bearings:  
Timken 387S-382A (ARB #160107) on the Flange Cap side; side.  
Timken 32010X-32010X (ARB #160116) on the Diff Case side.
- 4 Available only as complete thrust washer kit #730H01
- 5 All diffs produced before serial #17070001 came with 5mm air connection system. For information contact ARB.

**RD218**

LR Discovery 3, RR, 31 SPL

### EXPLODED DIAGRAM



### SPECIFICATIONS

Axle Spline	31 tooth, Ø33.6mm [1.32"]
Ratio Supported	All
Ring Gear ID	130.15mm [5.12"]
Ring Gear OD	210mm [8.27"]
Ring Gear Bolts	10 bolts on Ø157.7mm [6.21"]
Ring Gear Torque	90Nm [66.4 ft-lb]
Backlash	0.35-0.45mm [0.013-0.017"] (measured off pinion)