

INSTALLATION INSTRUCTIONS

4140

2001-2005 Ford Sport Trac

Parts List :

QTY	(1) Hardware kit including :
(1) Nerfstep set	(4) M8 x 30 mm Hex.head bolt
(4) Mounting brackets (Driver & Passenger)	(8) 5/16 x 1 1/4" Hex. head bolt
	(8) 3/8 x 1 1/4" Hex. head bolt
	(20) 3/8" Flat washer
	(20) 3/8" Lock washer
	(8) 5/16" Clip nut

Tools Required :

9/16" Socket	13 mm Socket	Ratchet
9/16" Wrench	1/2" Wrench	

Instructions :

- 1.- Read and understand instructions completely before beginning installation.
- 2.- Nerfstep set consist of a driver and passenger side. Be sure to determine the correct side before installation.
- 3.- Locate on the backside of the rocker panel three loations where the plastic fascia is cut out. Then install 5/16" clip nuts at front and rear locations. Just above the clip nut locations remove plug to expose threaded hole. **Note:** Threaded hole will line up with one of the other three slots in bracket.
- 4.- Bolt mounting brackets to the clip nuts using 5/16 x 1 1/4" hex head bolts, 3/8" flat and lock washers. Bolt to threaded hole using a M8 x 30mm hex head bolt. Leave loose. Illustration 1.
- 5.- Place the nerfstep up to the front and rear mounting brackets. Secure into place using 3/8 x 1 1/4" hex head bolts, flat and lock washers. Illustration 2.
- 6.- Make any final adjustments to the alignment of the nerfstep on the vehicle and then tighten all of the fasteners. Repeat for the opposite side.
- 7.- You may need to periodically re-tighten the fasteners on your nerfstep.

Assembly Diagram :

Illustration 1

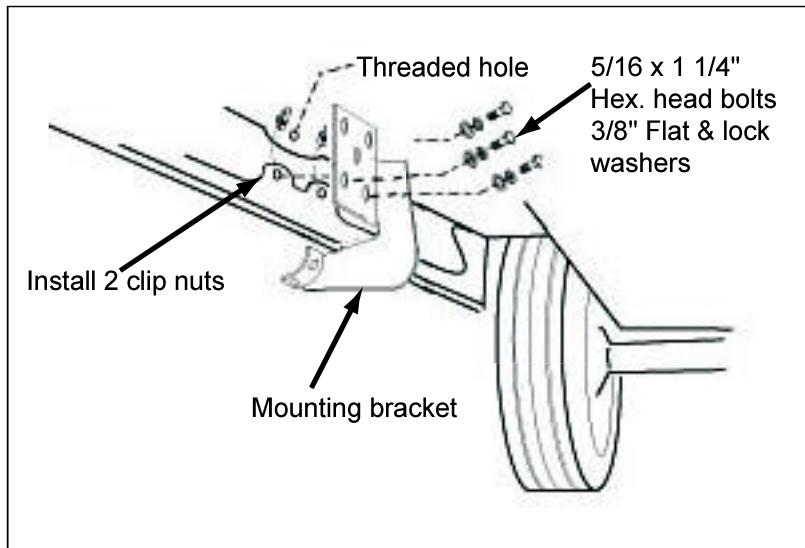
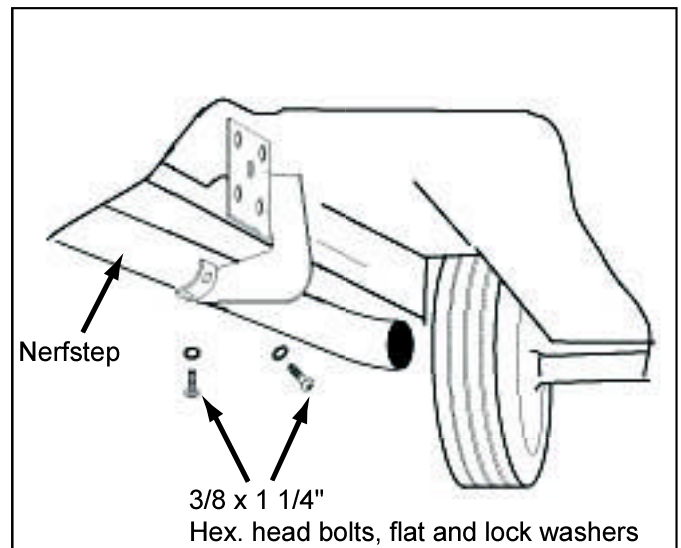


Illustration 2



Cleaning and care instructions :

Protect the finish with a non-abrasive automotive wax, (e.g. Pure Carnauba) on a regular basis. The use of any soap, polish, or wax that contains an abrasive is detrimental to the finish, as the compounds scratch the finish and cause corrosion.