



Innovative Truck Racks!

Two Companies ! One Vision !



Built to demand respect !

THUNDER SERIES SPORT BAR
ASSEMBLY & INSTALLATION INSTRUCTIONS
PART NO. 450000 00-06 TOYOTA TUNDRA

Do not attempt to install this product on any vehicle other than the one it is designed for and listed above!

**W
A
R
N
I
N
G**

Carefully read all the instructions prior to attempting to install this product. If you are not familiar with using workshop tools or with workshop safety practices, take the product and vehicle to a skilled installer. Go Rhino! Products® accept no responsibility for any damage or injuries that may result from the product(s) being incorrectly installed. . Retighten only loose fasteners as over-tightening snug fasteners can result in breaking or stripping them. Failure to maintain tightness of fasteners could result in the product detaching itself from the vehicle and possibly jamming wheels etc. This condition could cause serious personal bodily injury.

**W
A
R
N
I
N
G**

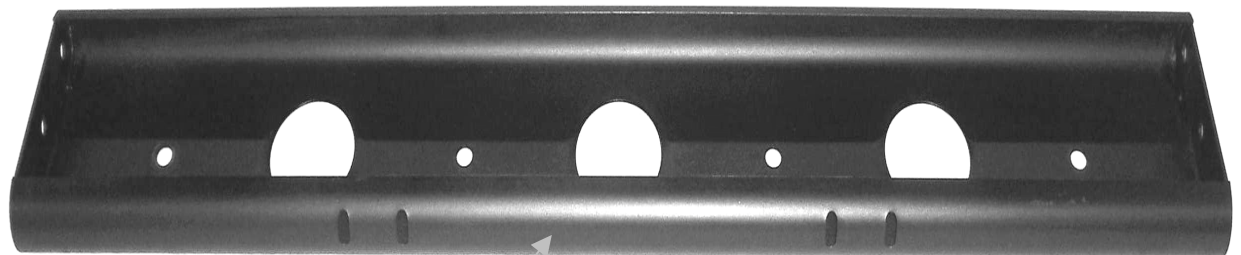
Packing List

PART NO.	QUANTITY	DESCRIPTION	PART NO.	QUANTITY	DESCRIPTION
	12	3/8" x 1" HEX BOLTS	419340	1	19 3/4" UPRIGHT
	2	3/8" X 3 " HEX BOLTS	419341	1	19 3/4" UPRIGHT
	14	3/8" FLAT WASHERS	201400	4	TUBULAR CORNERS
	14	3/8" LOCK WASHERS	324000	1	40" CROSS BAR
	4	3/8" HEX NUTS	101005	2	EXPANSION PLUGS
			101003	2	EXPANSION PLUG PLATES

ASSEMBLY INSTRUCTIONS

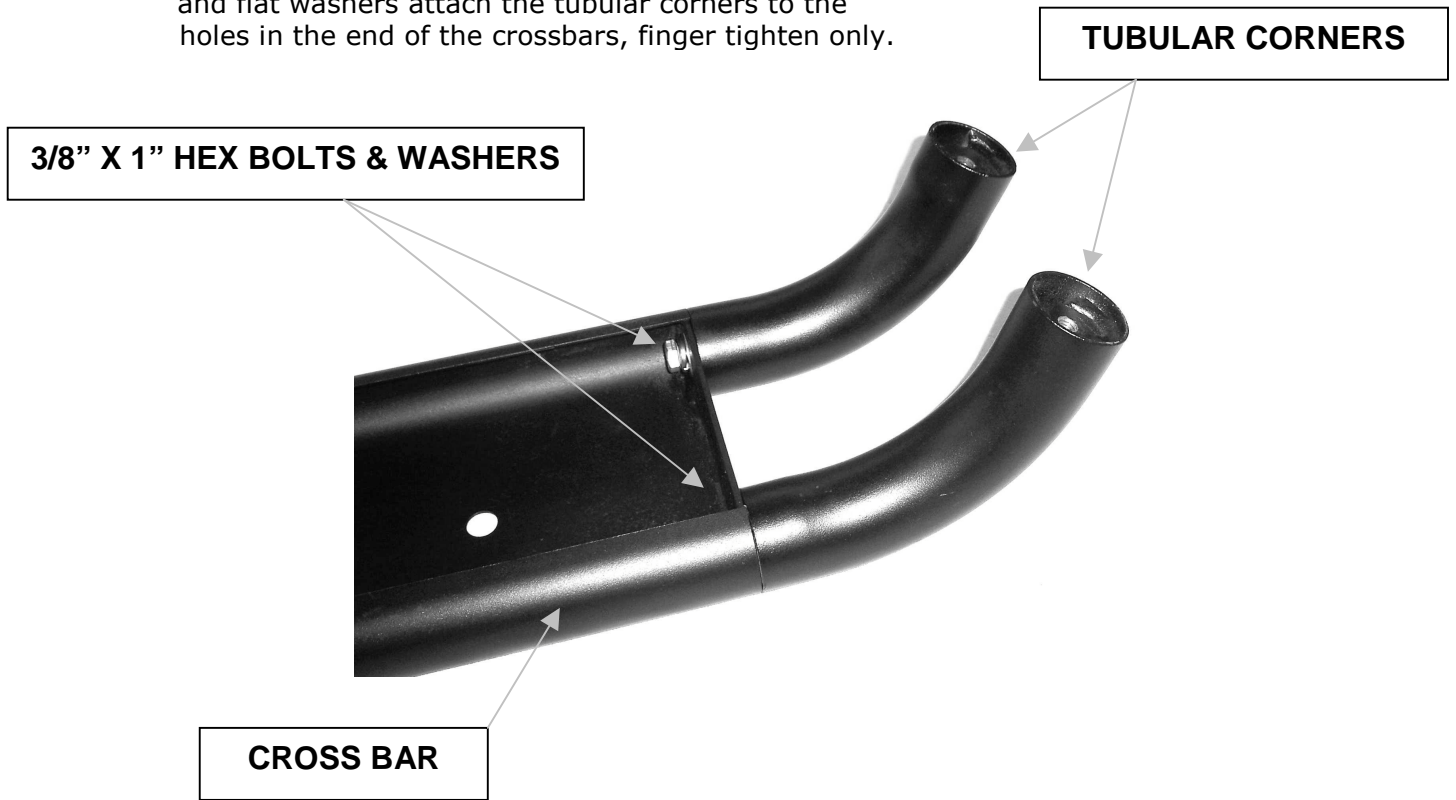
STEP 1. Before you start, review the parts list, instruction sheet and components.

STEP 2. Begin by laying out the crossbar on a protective surface, with the large decorative holes facing down.

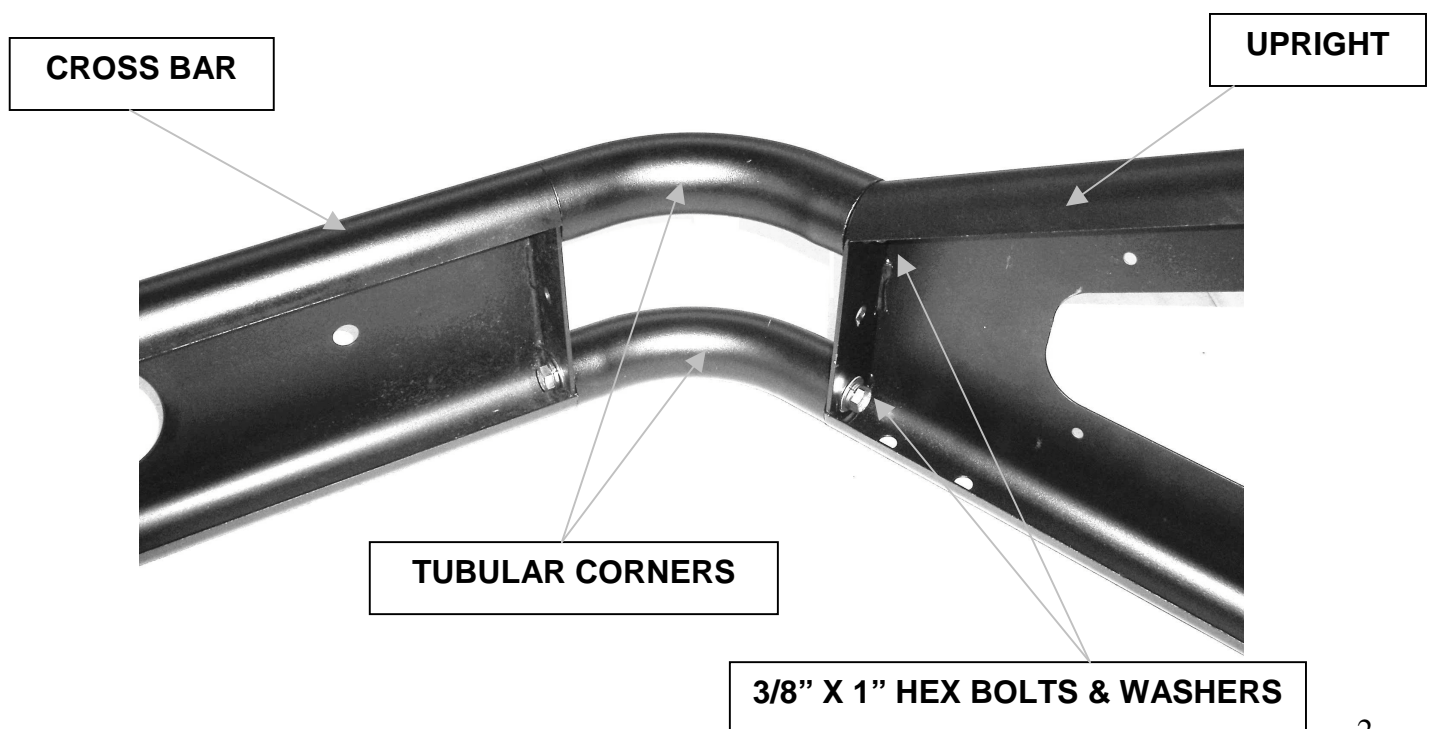


CROSS BAR

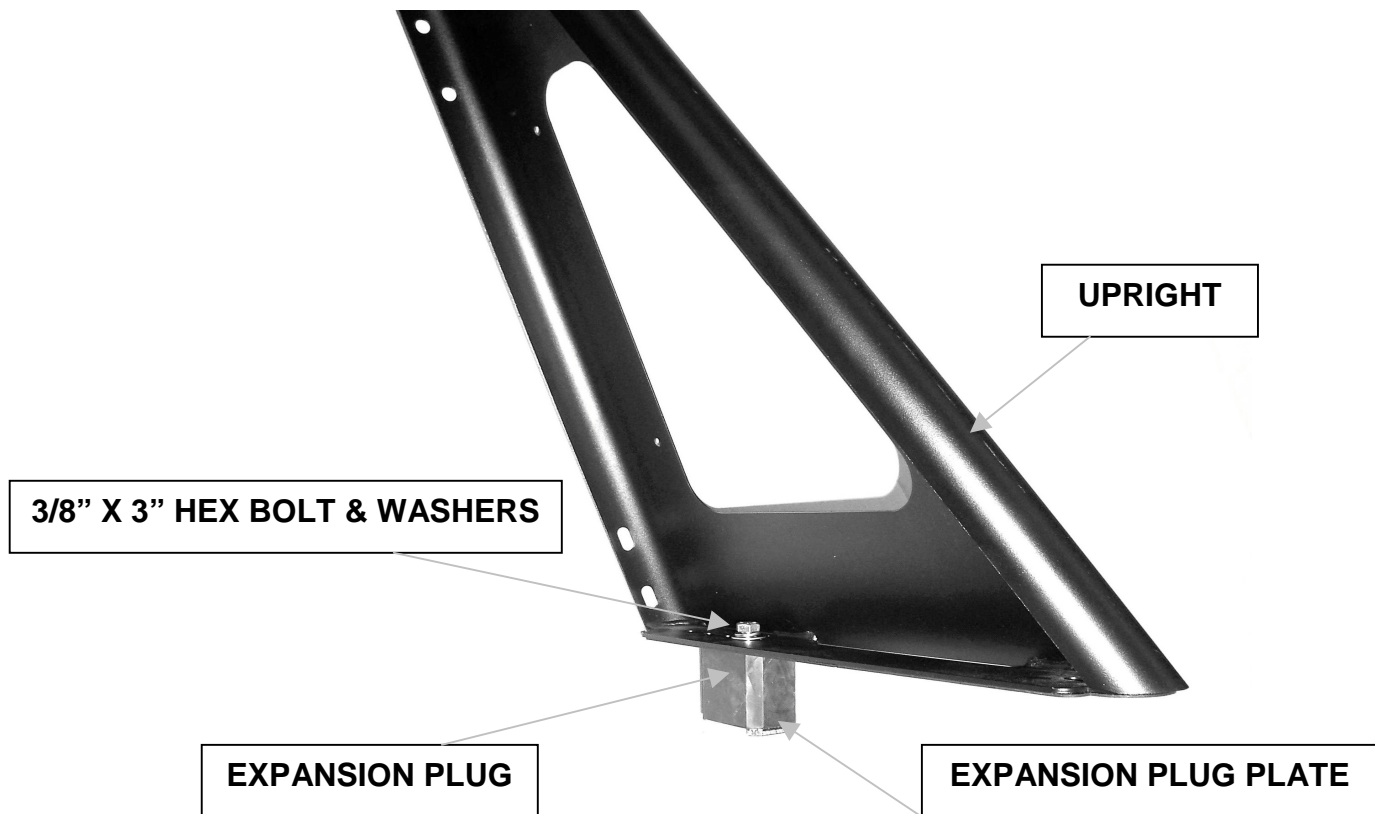
STEP 3. Using the 3/8" x 1" hex bolts, lock washers, and flat washers attach the tubular corners to the holes in the end of the crossbars, finger tighten only.



STEP 4. Attach the uprights to the tubular corners using the 3/8" x 1" hex bolts, lock washers and flat washers, finger tighten only.



STEP 5. Assemble and attach the expansion plugs to the holes in the uprights using the 3/8" x 3" hex bolts, flat washers and expansion plug plates.



INSTALLATION INSTRUCTIONS:

Step A. If your vehicle is equipped with plastic bedrail caps, remove the plastic front trim plates to expose the stake pocket holes.

Note: Some models may require cutting out the opening in the plastic bed cap to expose the stake pockets.

Step B. With assistance, carefully flip the sport bar over, and position it over the bed of the truck. Align the expansion plugs with the stake pockets and lower the bar onto the top of the bed rails.

Step C. At this point secure all the nuts and bolts. Tighten the 3/8" hex bolts to expand the expansion plugs and secure the sport bar to the bed. After turning each of the bolts several times, pull upward on each of the uprights to confirm the plugs have expanded and the sport bar is secure. If not, continue to tighten the bolts until this is accomplished (**DO NOT OVER TIGHTEN!**)

(Optional Attachment) Drill the bed rails and attach the sport bar using the 3/8" nuts and bolts supplied.

Warning: It is the owner's responsibility to periodically check the expansion plug bolts for tightness and adjust as required. Installation of this sport bar will increase the overall height of your vehicle. Confirm that there is adequate clearance before entering a garage or parking structure.

**FOR TECHNICAL OR WARRANTY INFORMATION CALL:
GO RHINO! Products® XtremeRacks™ QuickRacks®
591 W. Apollo St. Brea, CA 92821
(714)255-0420 (888)427-4466 FAX(714)529-5252**