

VIAIR[®]

Your Vital Air Source



50001 – Escapade Heavy Duty Compact OBA
50003 – Escapade Constant Duty Compact OBA

USER MANUAL



IMPORTANT:

It is essential that you and any other operator of this product read and understand the contents of this manual before installing and using this product.

SAVE THIS MANUAL FOR FUTURE REFERENCE



IMPORTANT SAFETY INSTRUCTIONS

CAUTION - To reduce risk of electrical shock or electrocution:

- Do not disassemble. Do not attempt repairs or modifications. Refer to qualified service agencies for all required service and repairs.
- Do not use this product around an area where it can fall or be pulled into water or other liquids.
- Do not reach for this product if it has fallen into liquid.
- Use this compressor with 12-Volt DC systems only.
- This product should never be left unattended during use.

WARNING - To prevent injury:

- Never allow children to operate this compressor. Close supervision is necessary when this compressor is being used near children.
- This compressor will become very HOT during and immediately after use. Do not touch any part of this compressor with bare hands during and immediately after use.
- Do not use this product near flames or explosive materials or where aerosol products are being used.
- Do not operate this product where oxygen is being administered.
- Do not pump anything other than atmospheric air.
- Never use this product while sleepy or drowsy.
- Do not use any tools or attachments without first determining maximum air pressure for that tool or attachment.
- Never point any air nozzle or air sprayer toward another person or any part of the body.
- This air compressor is equipped with an Automatic Reset Thermal Protector, and can automatically restart after the thermal protector resets. Always cut off power source when thermal protector becomes activated.
- Wear safety glasses or goggles when operating this product.
- Use only in well ventilated areas.

INSTALLATION

Please read and follow the installation instructions carefully to avoid injury or damage to the compressor or your vehicle.

Each of our air compressors and parts have been carefully produced and packaged. Before you begin installation, please familiarize yourself with the Escapade Heavy Duty/Constant Duty Compact OBA Kit Components List in this manual.

Guidelines for Selecting Mounting Location:

The selection of proper mounting location for your air compressor will help ensure a long and trouble free compressor service life. Please pay close attention to the following guidelines:

1. Select a FLAT, UPRIGHT, AND SECURE location where the compressor can be mounted.
2. The cooler the ambient temperature, the less chance the compressor will overheat. If mounted in the engine compartment for prolonged use (tire filling), open your hood to allow maximum cooling of the compressor unit.
3. This compressor is moisture & dust resistant, but NOT DIRT OR WATERPROOF. Do not mount compressor in locations where the unit is likely to come in contact with the elements.
4. Always utilize the supplied remote filter mounting option, and route the air line from compressor air inlet to remote inlet air filter located in a clean and dry area. Secure the air filter to keep it from dislodging and becoming damaged.
5. If it is necessary to mount the air compressor further away from the battery, such as inside your vehicle or in the bed of your pickup, use the appropriate gauge wire for the-Amp draw of the compressor and distance from the battery. When in doubt, use the next larger wire gauge size.

ESCAPEDE HEAVY DUTY & CONSTANT DUTY COMPACT OBA SYSTEMS

MOUNTING AND WIRING

1. Disconnect ground cable from vehicle's battery.
2. Position the air compressor in the location where it will be mounted.
3. NOTE: For remote inlet air filter installation, refer to instructions included in the Remote Inlet Air Filter Pack.
4. Make sure that your compressor setup is properly fused.
5. Before connecting to power source, re-check your system to make sure that all electrical connections are made properly.
6. Connect power lead to the battery. It is recommended to provide switched power for the system, that is only turned on when the ignition of the vehicle is also energized in case of any air leaks that may allow the system to turn on and drain your battery during periods when the vehicle might remain parked. This is especially important when using a small reservoir, as is supplied with all Escapade Heavy Duty/Constant Duty Compact OBA Kits.
7. Ensure that the drain valve located on the underside of the Escapade Heavy Duty/Constant Duty Compact OBA reservoir is closed.
8. When power is made available to the Escapade Heavy Duty/Constant Duty Compact OBA the system will automatically turn on and fill the reservoir tank.
9. When the cutoff pressure of the Escapade Heavy Duty/Constant Duty Compact OBA has been reached, the system will shut off automatically.
10. Inspect all air line connections for leaks with soap and water solution. If a leak is detected, the connection may not be made properly. Re-do any connections that are leaking. The use of thread locker is recommended for all fittings. *(Avoid the use of thread tape).*

ESCAPEDE HEAVY DUTY/CONSTANT DUTY COMPACT OBA KIT COMPONENTS LIST:

- Qty. 1: 400/450C equipped with Thermal Overload Protector
- Qty. 1: Extruded Aluminum Air Tank
- Qty. 1: Pre-installed 175 PSI Safety Valve
- Qty. 1: Pre-installed 1/8" NPT Drain Cock
- Qty. 1: Pre-installed 110/145 PSI Sealed Pressure Switch
- Qty. 8: Pre-installed 1/4" NPT Recessed Port Plugs
- Qty. 1: Pre-installed Quick Connect Coupler
- Qty. 2: 1/4" NPT to 1/8" BSP Adapters
- Qty. 1: 1/4" NPT M Barbed Fitting for 3/8" Air Line (For Remote Mount Air Filter Installation)
- Qty. 1: 1/4" NPT F Barbed Fitting for 3/8" Air Line (For Remote Mount Air Filter Installation)
- Qty. 1: Coiled Air Line (For Remote Mount Air Filter Installation)
- Qty. 1: Air Filter Housing
- Qty. 2: Replacement Air Filter Elements
- Qty. 1: Mounting Hardware
- Qty. 1: Inflation Kit w/ 2.5" Tire Gun, 160 PSI, 30' Hose, Carry Bag
- Qty. 1: Rubber-Tipped Blow Gun (1/4" Quick Connect Stud)
- Qty. 1: 20ft. Freeze Resistant 12-Gauge Wire

ESCAPADE HEAVY DUTY & CONSTANT DUTY COMPACT OBA SYSTEMS

OPERATING INSTRUCTIONS

1. **IMPORTANT:** Always operate the compressor at or below the **MAXIMUM PRESSURE RATING** of the compressor. Please refer to Application & Specifications Sections of this manual for details.
2. Always observe the **MAXIMUM DUTY CYCLE** of the air compressor. Refer to Compressor Applications and Specifications Sections of this manual for details. Operation exceeding maximum pressure ratings and/or duty cycle will result in damage to the air compressor.
3. Your air compressor is equipped with an **AUTOMATIC THERMAL OVERLOAD PROTECTOR**. This feature is designed to protect the air compressor from overheating and causing permanent damage to your air compressor. The thermal overload protector will automatically cut power to your air compressor should the internal operating temperature of the air compressor rise above safe levels during excessive use.
4. Should at any time during use, your air compressor automatically shuts off unexpectedly; do not attempt to restart it. Turn off power and allow unit to cool for at least 30 minutes. This will allow the Thermal Overload Protector to reset so you can safely resume use of the air compressor.
5. To prevent discharge of your vehicle's battery, and enhance performance, keep the vehicle's engine running while using the compressor.
6. Only operate compressor in well ventilated areas.

NOTE: Your Escapade Heavy Duty/Constant Duty Compact OBA Systems are equipped with a sealed pressure switch. Due to manufacturing tolerances, a variance of +/- 5% is possible for turn on & off pressures. This is not a manufacturing defect, and will not affect the operation of air lockers, nor the ability of the OBA Kit to inflate tires.

MAINTENANCE & REPAIRS

1. Periodically check all electrical and fittings connections. Clean and tighten as needed.
2. Periodically check all mounting screws. Tighten as needed.
3. Replace air filter element periodically. Replacement frequency depends on operating frequency and operating environment. For frequent use in dusty environment, you should replace air filter element more oft.n.
4. Regularly clean dust and dirt from compressor cooling fins and/or motor housing.
5. Your air compressor is equipped with a permanently lubricated, maintenance-free motor. Never try to lubricate the compressor.
6. All repairs should be performed by Manufacturer or Manufacturer's Authorized Service Agencies only.
7. For complete information regarding VIAIR® Warranty, please visit: www.VIAIRcorp.com/warranty

CAUTION:

Never touch the air compressor or fittings connected to the air compressor, with bare hands during or immediately after use. The fittings connected may become very **HOT** during and after use. If necessary, wear heat resistant gloves to handle fittings and coil hose.

ESCAPADE HEAVY DUTY & CONSTANT DUTY COMPACT OBA SYSTEMS

SPECIFICATIONS

• 50001 – Escapade Heavy Duty Compact OBA: 110/145 PSI (CE Certified)

Motor Voltage:	12-Volts
Max. Current Consumption:	30-Amps
Recommended Fuse:	40-Amps
Motor Type:	Permanent Magnetic
Horsepower:	1/4
Max. Working Pressure:	150 PSI
Max. Duty Cycle (@72°F & 100 PSI):	33%
min. tes On/Off (@72°F & 100 PSI):	20 On/ 40 Off
Max. Ambient Temperature:	158°F
min. Ambient Temperature:	-40°F
Auto. Reset Thermal Protection:	Yes
Ingress Protection Rating:	IP67

• 50003 – Escapade Constant Duty Compact OBA: 110/145 PSI (CE Certified)

Motor Voltage:	12-Volts
Max. Current Consumption:	23-Amps
Recommended Fuse:	30-Amps
Motor Type:	Permanent Magnetic
Horsepower:	1/4
Max. Working Pressure:	150 PSI
Max. Duty Cycle (@72°F & 100 PSI):	100%
min. tes On/Off (@72°F & 100 PSI):	Continuous
Max. Ambient Temperature:	158°F
min. Ambient Temperature:	-40°F
Auto. Reset Thermal Protection:	Yes
Ingress Protection Rating:	IP67

ABOUT COMPRESSOR DUTY CYCLE:

Duty cycle refers to the amount of time a compressor can be operated in a given time period at 100 PSI, and a standard ambient temperature of 72° F. It is commonly expressed in percentage format: $\text{Compressor on time} \div (\text{on time} + \text{off time}) = \text{Duty Cycle}\%$.

ONE-HOUR DUTY CYCLE

(100 PSI @ 72°F)

	MINUTES ON / MINUTES OFF
9%	3 min. On / 55 min. Off
10%	6 min. On / 54 min. Off
15%	9 min. On / 51 min. Off
20%	12 min. On / 48 min. Off
25%	15 min. On / 45 min. Off
30%	18 min. On / 42 min. Off
33%	20 min. On / 40 min. Off
50%	30 min. On / 30 min. Off
100%	1 Hour Run Time

NOTE: All compressors, regardless of rated duty cycle, require sufficient rest time in between cycles to allow for partial or complete heat dissipation. Heat dissipation rates may vary depending on ambient temperatures and operating conditions.

ABOUT RATED WORKING PRESSURE:

To ensure trouble free service life of your compressor, always operate compressor within rated working pressure of the compressor. Never use a pressure switch with a higher cut-off pressure than compressor's rated working pressure.

ESCAPADE HEAVY DUTY & CONSTANT DUTY COMPACT OBA SYSTEMS

TIRE INFLATION GUN OPERATING INSTRUCTIONS

Your Escapade HD/CD Onboard Air System also comes with a Tire Inflation Gun for airing up tires and adding compressed air to any inflatable items with a valve stem.

1. Using the Tire Inflation Gun:

Using a 1/4" Quick Connect Coupler, connect the Tire Inflation Gun to an air hose and connect to a tire valve stem or similar inflation collar by securing the folding lever on the Inflation Gun air chuck.

2. Filling Tires and other Inflatable Items:

Squeeze the Inflation Trigger on the Inflation Gun by pressing it towards the handle of the gun. This will allow stored air from the air tank to flow through the gun and through the chuck into your tire or other inflatable items.

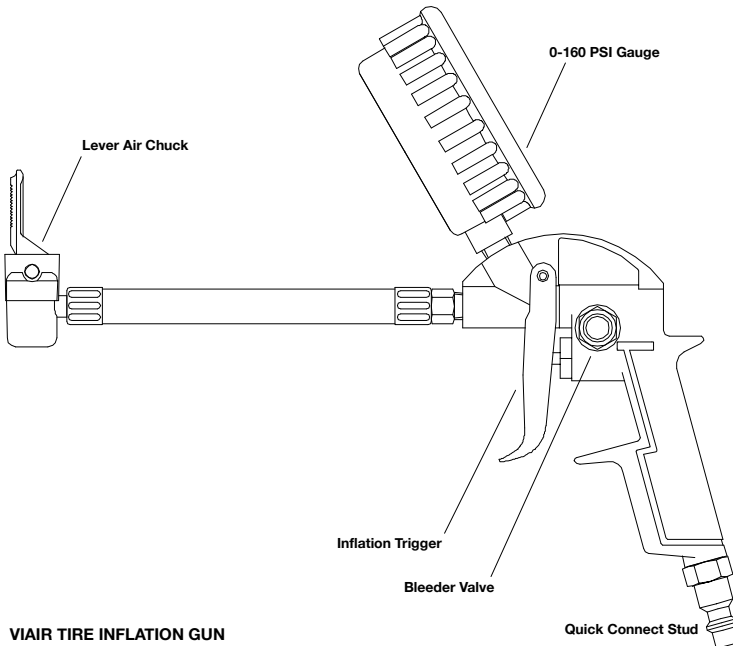
3. Checking Tire Pressure:

To check tire pressure, release Inflation Trigger on Inflation Gun and allow the needle of the 0-160 PSI gauge to settle. Tire pressure will be able to be read only when the inflation trigger is released.

WARNING:

- Never operate the Inflation Gun at any pressure exceeding 160 PSI.
- Use caution when attaching or removing air chuck from valve stems.
- Always ensure that tire valve stems are tight before inflating tires.
- Be careful to never inflate any tire or other inflatable items past its rated pressure to avoid explosion, possible injury, or death.

Please Note: Not intended for use with regular portable compressors or units meant to be operated with an open ended air chuck. The Tire Inflation Gun is equipped with a close ended chuck and will hold pressure back, which could cause the hose to burst.



VIAIR TIRE INFLATION GUN

Quick Connect Stud

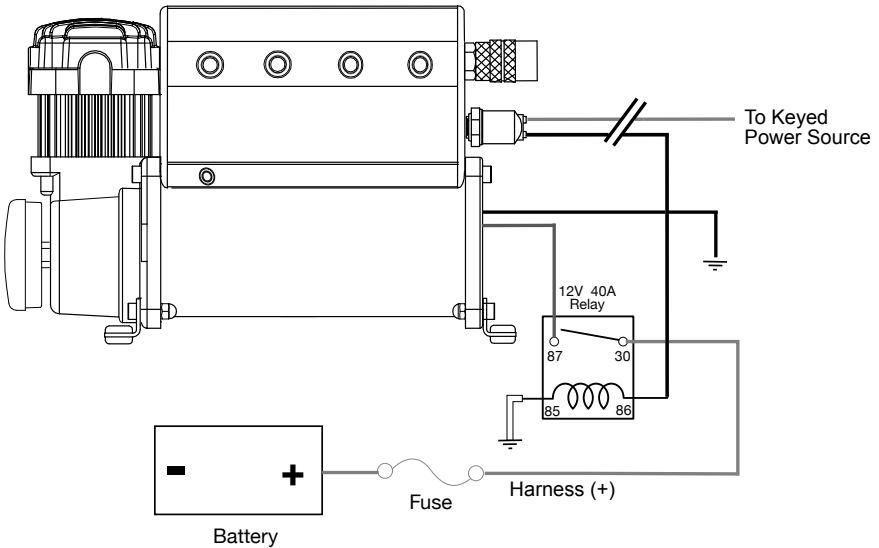
ESCAPADE HEAVY DUTY & CONSTANT DUTY COMPACT OBA SYSTEMS

TROUBLESHOOTING GUIDE:

PROBLEM:	POSSIBLE CAUSE(S)	CORRECTIVE ACTION
Tank pressure drops when compressor(s) shut off	<ol style="list-style-type: none">1. Loose drain cock2. Check valve leaking3. Loose connections	<ol style="list-style-type: none">1. Tighten drain cock2. Replace check valve or compressor(s)3. Check all connections with soap and water solution and tighten
Compressor runs continuously and air flow lower than normal	<ol style="list-style-type: none">1. Excessive air usage2. Loose connections3. Worn piston ring or inlet valve.4. Clogged air filter element	<ol style="list-style-type: none">1. Decrease air usage2. Check all connections with soap and water solution and tighten.3. Repair or replace compressor4. Replace air filter element
Compressor runs continuously causing safety valve (if equipped) to open	<ol style="list-style-type: none">1. Bad pressure switch2. Defective safety valve	<ol style="list-style-type: none">1. Replace pressure switch2. Replace safety valve
Excessive moisture in discharge	<ol style="list-style-type: none">1. Excessive water in air tank2. High humidity	<ol style="list-style-type: none">1. Drain tank, tilt tank to drain. Drain tank more frequently2. Move compressor to area with less humidity, or use air line filter.
Compressor will not run	<ol style="list-style-type: none">1. No power, or power switch in OFF position2. Blown fuse3. Motor overheats4. Faulty pressure switch.	<ol style="list-style-type: none">1. Make sure compressor switch is ON2. Disconnect compressors from power source, replace fuse. (Refer to Specifications section for correct fuse-Amperage.)3. Let compressors cool off for about 30 minutes to allow thermal overload switch reset.4. Replace pressure switch
Thermal overload protector cuts out repeatedly	<ol style="list-style-type: none">1. Lack of proper ventilation or ambient temperature too high2. Compressor valves failed	<ol style="list-style-type: none">1. Move compressor to well ventilated area, or area with lower ambient temperature2. Repair or replace compressor
Excessive knocking or rattling	<ol style="list-style-type: none">1. Loose mounting bolts2. Worn bearing on eccentric or motor shaft3. Cylinder or piston ring is worn	<ol style="list-style-type: none">1. Tighten mounting bolts2. Repair or replace compressor3. Repair or replace compressor

CAUTION: NEVER DISASSEMBLE COMPRESSOR WHILE COMPRESSOR IS PRESSURIZED.

ESCAPEE HEAVY DUTY & CONSTANT DUTY COMPACT OBA SYSTEMS



WIRE REFERENCE:

- 30 (Red)
- 85 (White)
- 86 (Black)
- 87 (Blue)

WIRE GAUGE GUIDE 12-VOLT:

Amp Draw	Length of wire from battery to compressor (in feet)			
	5	10	15	20
5	16	16	16	14
10	16	14	12	10
15	16	12	10	10
20	14	10	10	8
25	14	10	8	6
30	12	10	8	6
40	12	8	6	6
50	10	6	6	4
60	10	6	4	4

LIMITED WARRANTY:

VIAIR® Corporation warrants this product, when properly installed and under normal conditions of use, to be free from defects in workmanship and materials for a period of one year from its original date of purchase. To receive warranty service or repair, please contact VIAIR® Corporation.

Returns should be made within one year of the date of purchase, after a Return Goods Authorization (RGA) number has been assigned by VIAIR® Corporation. To obtain RGA, fax a copy of your receipt to (949) 585-0188. For complete warranty details, please visit: www.viaircorp.com/warranty

PLEASE NOTE:

THIS WARRANTY COVERS PRODUCT DEFECTS ONLY; IT DOES NOT COVER INCIDENTAL OR CONSEQUENTIAL DAMAGES AS RESULT OF MISUSE OR ABUSE.

This Manual is proprietary to VIAIR® Corporation and no ownership rights are hereby transferred. No part of the Manual shall be used, reproduced, translated, converted, adapted, stored in a retrieval system, communicated or transmitted by any means, for any commercial purpose, including without limitation, sale, resale, license, rental or lease, without the prior express written consent of VIAIR®. VIAIR® does not make any representations, warranties or guarantees, express or implied, as to the accuracy or completeness of the Manual. Users must be aware that updates and amendments will be made from time to time to the Manual. It is the user's responsibility to determine whether there have been any such updates or amendments. Neither VIAIR® nor any of its directors, officers, employees or agents shall be liable in contract, tort or in any other manner whatsoever to any person for any loss, damage, injury, liability, cost or expense of any nature, including without limitation incidental, special, direct or consequential damages arising out of or in connection with the use of the Manual.



15 EDELMAN • IRVINE, CA 92618
 TEL: (949) 585-0011 • FAX: (949) 585-0188