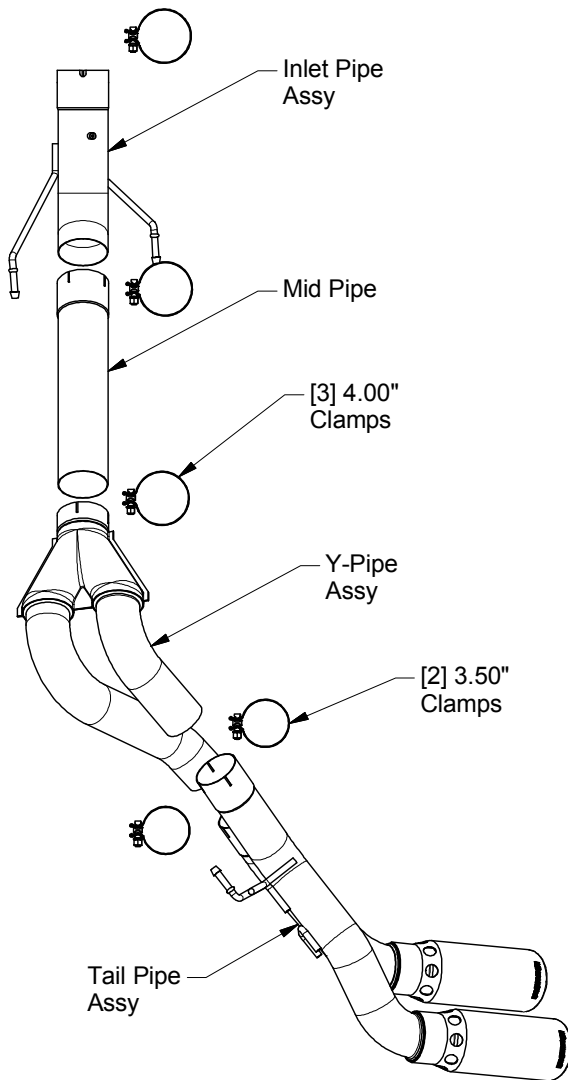


2013 Dodge Ram 6.7L 2500HD/3500 6.7L BS



Warning When working on, under, or around any vehicle exercise caution. Please allow the vehicle's exhaust system to cool before removal, as exhaust system temperatures may cause severe burns. If working without a lift, always consult vehicle manual for correct lifting specifications. Always wear safety glasses and ensure a safe work area. Serious injury or death could occur if safety measures are not followed.

Step 1: (Carefully read all instructions before installation) To remove the OEM system, you will need to cut the tailpipe just behind the OEM muffler. Working front to rear remove the OEM system rearward of the DPF. Disengage the welded hangers from the rubber insulators and remove the sensor wire bracket and undo all attaching clamps. Do not damage or discard the OEM rubber insulators as they will be reused to mount the new system.

Step 2: Begin by attaching the Inlet Pipe Assy to the outlet of the DPF using a supplied 4.00" clamp, making sure to index the slot with the pin on the OEM pipe and by fitting the hangers into the OEM rubber insulators (all clamps are to be left loose for final adjustment of the system). Install the Mid Pipe, Y-Pipe and Tail Pipe Assemblies in a similar fashion using the supplied 4.00/3.50" clamps and fitting the hangers into rubber insulators. Finish by re-attaching the sensor wire bracket to the Inlet Pipe Assembly.

Step 3: With all components mounted loosely, adjust the system for overall aesthetics and clearance of frame & bodywork. (MAGNAFLOW recommends at least 1/2" of clearance between the exhaust system and any body panels to prevent heat-related body damage or fire.)

Step 4: Once a final position has been chosen for the new system, evenly tighten all fasteners from front to rear. The supplied band clamps must be VERY tight to properly align the pipes and prevent leaks (Approximately 40ft-lbs). Inspect all fasteners after 25-50 miles of operation and retighten if necessary.

**** Magnaflow Performance Exhaust recommends professional installation on all their products**