

INSTALLATION INSTRUCTIONS

SIDE BAR

SILVERADO CREW CAB SHORT BED 5.8´

2014

61090 (B-PS)

Lista de partes				
Ítem	Cant	Código	Descripción	Tora
1	1 pza	610900AA-0BA	Side bar passenger side	
2	1 pza	610900AA-0BA	Side Bar driver side	
3	2 pza	376012AA	Front bracket (driver & passenger)	
4	2 pza	376014AA	Mide bracke(driver & passenger)	
5	1 juego	373034AA	Rear bracke set (driver & passenger)	
6	2 pza		3/8 x 8 1/4" all threaded stud zinc plated	30 Lb. Ft
7	2 pza		3/8 x 1 1/4" Hex head bolt zinc plated	30 Lb. Ft
8	8 pza		3/8" Flat washer zinc plate	
9	6 pza		3/8" Lock washer zinc plated	
10	2 pza		3/8" Lock nut zinc plated	30 Lb. Ft
11	4 pza		3/8" Nut zinc plated	30 Lb. Ft
12	2 pza		Rubber bushing	
13	4 pza		1/2" x 2" hex head bolt zinc plated	70 Lb. Ft
14	10 pza		1/2" Flat washer zinc plated	
15	10 pza		1/2" Lock washer zinc plated	
16	6 pza		M12 x 120mm Hex head bolt zinc plated	75 Lb. Ft

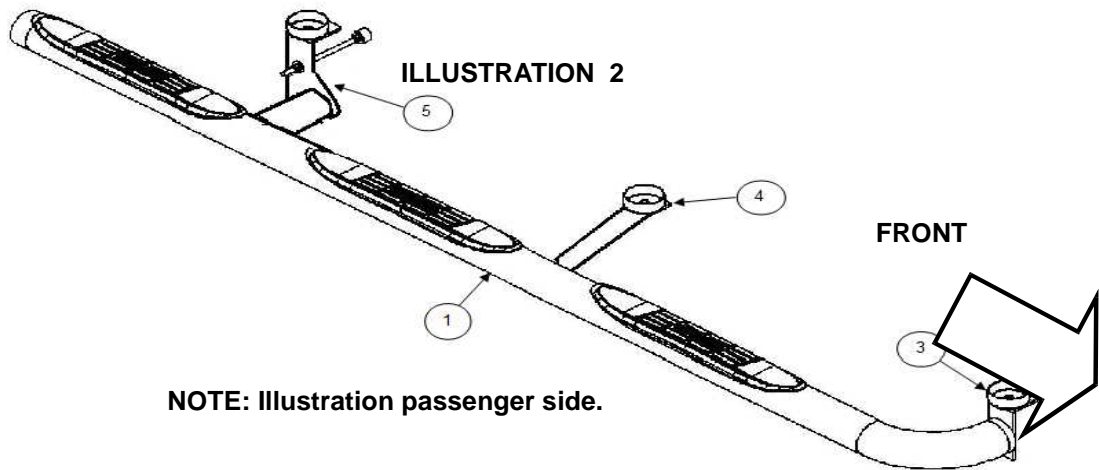
Herramienta Requerida:

- 9/16" Socket/wrench
- 3/4" socket / wrench
- 21 mm socket / wrench
- Allen wrench 7/32"
- Extension
- Ratchet

1. Before beginning the installation read all instructions thoroughly and verify that all hardware is accounted for. if there are any listed parts missing, please notify your distributor immediately.

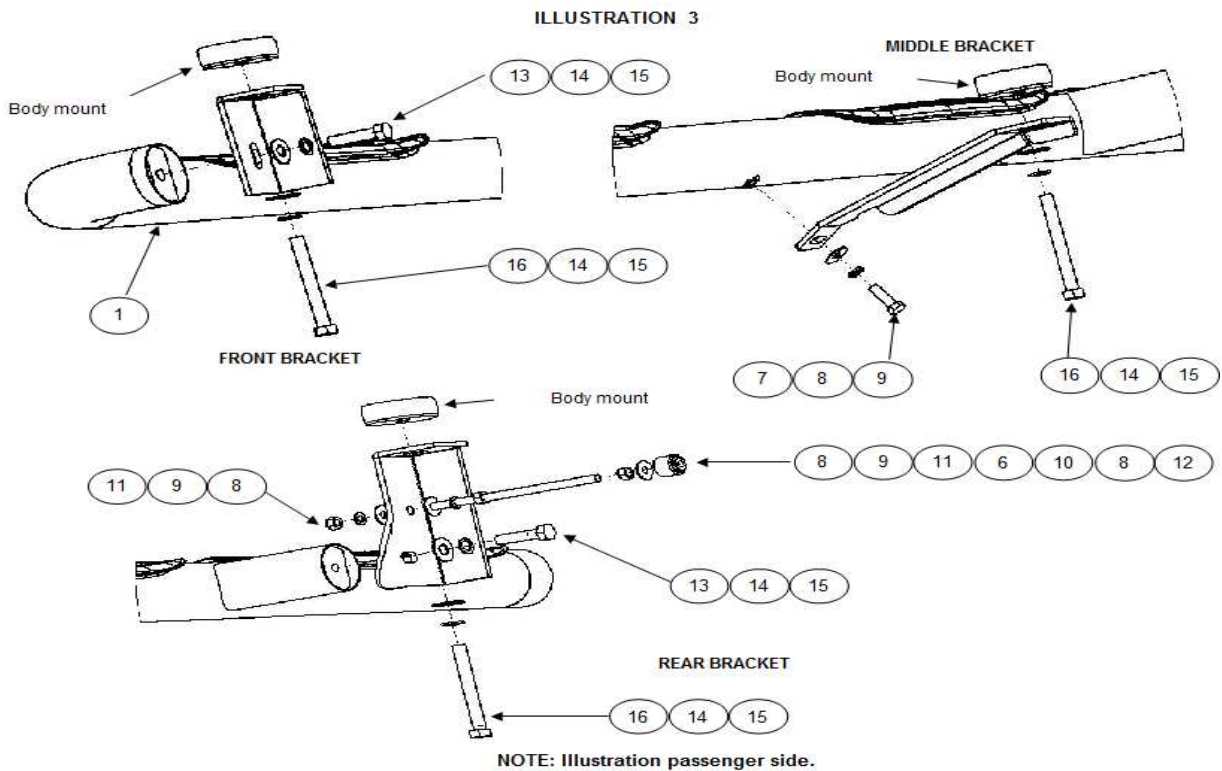
2. To maintain and care this product keep it clean and do not use abrasive cleaners or polish waxes. It is recommended to use only non-abrasive automotive wax such as pure carnauba to avoid scratches and rust.

3. The approximate installation time is **40 min.**



NOTE: Illustration passenger side.

4. Side bar set consists of a driver and passenger side. Make sure to determine the correct side before installation. **See illustration 1.**
5. Locate and remove the supports of the body mount, front, middle and rear part, (once a time). **See illustration 3.**
6. Place the front bracket see illustration 3. Attach with bolts previously before removed. **NOTE:** If the bolts before removed are short, attach with: (1) M12 x 120mm hex head bolts, (1) 1/2" flat and lock. By each bracket. Leave loose. **See illustration 3.**
7. Install the rear and middle bracket of the same form that front bracket. **See illustration 3.** In the rear bracket adjust the full threaded stud as shown in illustration 3, make sure that aligns on the frame.
8. Place the side bar on the brackets and attach the front and rear part with: (1) 1/2 x 2" hex head bolt, (1) 1/2" flat and lock washers. By each bracket. Leave loose. **See illustration 3.**
9. Attach the side bar on middle bracket with: (1) 3/8 x 1 1/4" hex head bolt, (1) 3/8" flat and lock washers. Leave loose. **See illustration 3.**
10. Align the sidebar to the vehicle and tighten all hardware.
11. Repeat for the other side of vehicle.
12. Fill out the warranty card included and place it inside your vehicle.



NOTE: Illustration passenger side.