



# AIRCHARGER<sup>®</sup>

## HIGH-FLOW INTAKE KITS

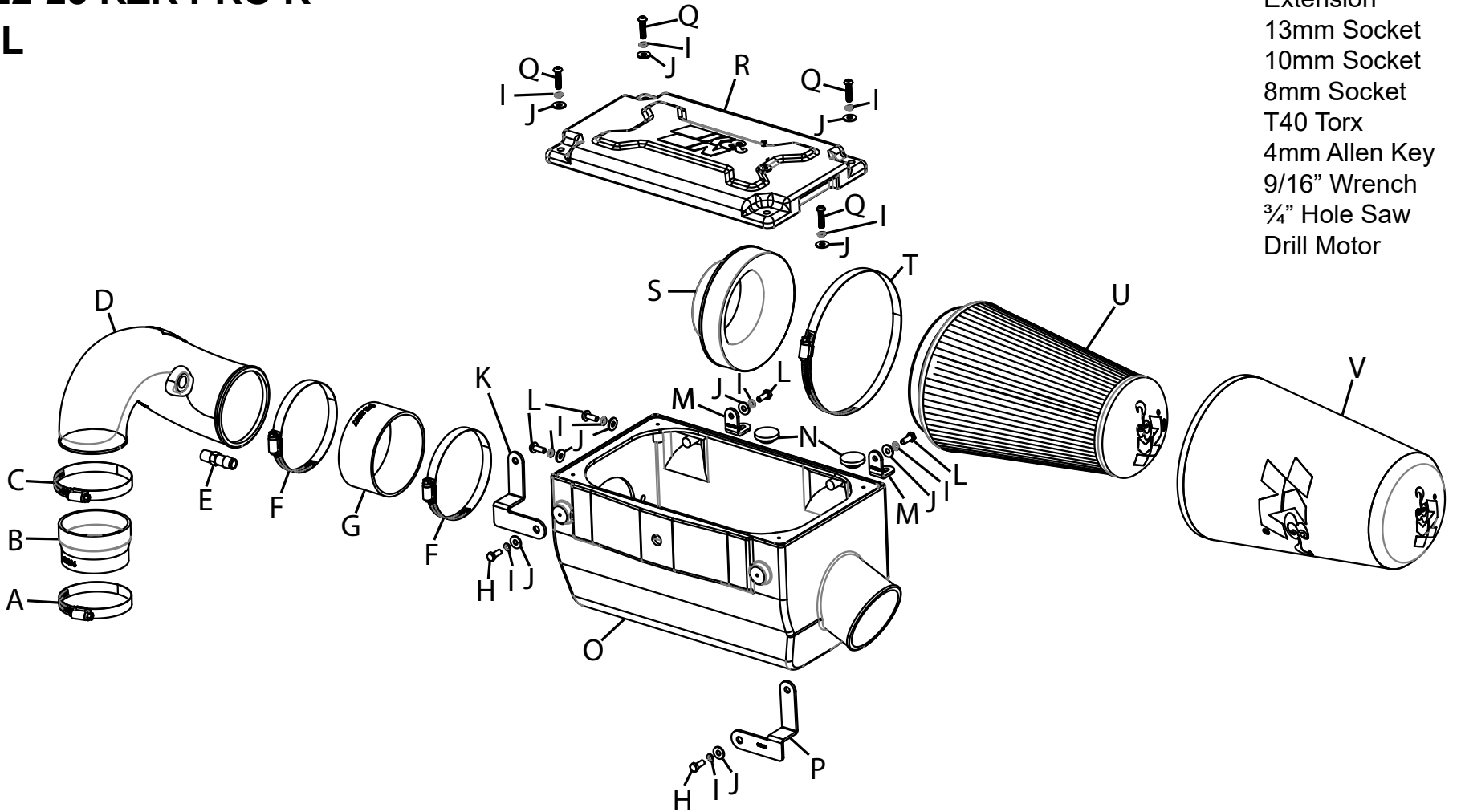
NOT LEGAL FOR SALE OR USE ON ANY POLLUTION CONTROLLED MOTOR VEHICLE IN CALIFORNIA OR STATES ADOPTING CALIFORNIA EMISSION PROCEDURES.  
See knfilters.com for CARB status on each part for a specific vehicle

### INSTALLATION INSTRUCTIONS

**63-1147**  
**POLARIS**  
**2022-23 RZR PRO R**  
**2.0L**

**TOOLS NEEDED:**

- Flat Blade Screw Driver
- Ratchet
- Extension
- 13mm Socket
- 10mm Socket
- 8mm Socket
- T40 Torx
- 4mm Allen Key
- 9/16" Wrench
- 3/4" Hole Saw
- Drill Motor



**PARTS LIST:**

Description	Qty.	Part #	Description	Qty.	Part #	Description	Qty.	Part #
A HOSE CLAMP; #48	1	08601	I WASHER; M6, SPLIT LOCK	10	1-3025	Q BOLT; M6-1.00 X 25MM, BTNHD	4	07729
B HOSE; 3.25"ID TO 3"ID X 2"L	1	08186	J WASHER; 6MM FLAT	10	08269	R AIRBOX; LID (QU)	1	087553
C HOSE CLAMP; #52	1	08610	K BRACKET; "L" LEFT	1	064375	S ADAPTOR; #454	1	27300
D INTAKE TUBE; (QT)	1	087552	L BOLT; M6-1 X 16MM, HEX	4	07812	T HOSE CLAMP; #104	1	08697
E VENT; 1/2" HOSE, 1/4"NPT	1	080022	M BRACKET; "L" SML.	2	070066A	U AIR FILTER	1	RU-5064
F HOSE CLAMP; #64 STAINLESS	2	08645	N PLUG; 1-3/16"OD, 11/16"ID X 7/16"HT	2	21684-1	V PRECLEANER WRAP	1	25-5167
G HOSE; 4"ID X 2"L	1	08761	O AIRBOX; (QR)	1	087551			
H BOLT; M6 X 1 X 16MM, BTNHD	2	07730	P BRACKET; "L" RIGHT	1	064376			

**If you need any assistance please call 1-800-858-3333 to speak with a representative in our Customer Service Center before returning the product.**

**NOTE: FAILURE TO FOLLOW INSTALLATION INSTRUCTIONS AND NOT USING THE PROVIDED HARDWARE MAY DAMAGE THE INTAKE TUBE, THROTTLE BODY AND ENGINE.**

**TO START:**

1. Turn off the ignition and disconnect the negative battery cable.  
**NOTE: Disconnecting the negative battery cable erases pre-programmed electronic memories. Write down all memory settings before disconnecting the negative battery cable. Some radios will require an anti-theft code to be entered after the battery is reconnected. The anti-theft code is typically supplied with your owner's manual. In the event your vehicles anti-theft code cannot be recovered, contact an authorized dealership to obtain your vehicles anti-theft code.**



2. Remove the two pushpins that secure the right-side intake vent cover and then remove the cover.



3. Remove the two pushpins that secure the left-side intake vent cover and then remove the cover.



4. Remove the four bolts that secure the cargo box and then remove the cargo box.



5. On four seat models, Release the latches that secure the rear seat backs and then remove the seat backs. On two seat models run the seats all the way forward.



6. Release the four latches that secure the service panel and then remove the panel.



7. Using a 3/4" hole saw or similar device, drill into the trim panel to gain access to the air filter housing mounting bolts. NOTE: the bolts are just under the lip of the trim panel and easy to locate.



8. Release the seven over-center clamps that secure the air filter housing lid and then remove the lid.



9. Loosen the clamps that secure the fresh air intake duct and then remove the duct.



10. Loosen the clamp that secures the intake tube to the air filter housing and then remove the intake tube from the housing.



11. Remove the two bolts that secure the air filter housing to the chassis and then remove the housing from the vehicle. These bolts will be reused in a later step.



12. Remove the two large frame bolts that sit just to the left and right of the factory air filter housing. These bolts will be reused in a later step.



13. Disconnect the CCV hose from the factory intake tube. Loosen the clamp that secures the intake tube to the throttle body and then remove the tube.



14. Install the lower mounting brackets onto the K&N air filter housing using the provided hardware.



15. Install the two upper mounting brackets onto the K&N air filter housing using the provided hardware.



16. Install the radius filter adapter into the K&N filter housing using the provided hardware.



17. Install the prefilter onto the K&N air filter and then install the filter assembly onto the adapter and secure with the provided hose clamp.



18. Install the filter housing assembly from the passenger compartment side and secure upper and lower mounting brackets with the factory hardware removed in earlier steps.



19. Install the K&N air filter housing lid and secure with the provided hardware. Install the two provided plugs into the access holes for the mounting brackets in the trim panel.



20. Install the provided coupler onto the filter adapter and secure with the provided hose clamp.



21. Install the remaining coupler onto the K&N intake tube and secure with the provided hose clamp.



22. Install the provided vent fitting into the K&N intake tube. **NOTE: The fitting is 1/4npt, do not over tighten.**



23. Install the K&N intake tube onto the throttle body but do not tighten the hose clamp.



24. Install the intake tube into the coupler at the air filter housing, align for best fit and then tighten all of the hose clamps. Connect the CCV hose to the vent fitting and secure with the factory spring clamp.



25. Reinstall the fresh air intake duct and tighten the hose clamps.



26. Reinstall the service panel and secure with the factory latches.



27. If equipped, reinstall the rear seat backs.



28. Reinstall the cargo box and secure with the factory hardware.

29. Reconnect the vehicle's negative battery cable. Double check to make sure everything is tight and properly positioned before starting the vehicle.

30. It will be necessary for all K&N® high flow intake systems to be checked periodically for realignment, clearance and tightening of all connections. Failure to follow the above instructions or proper maintenance may void warranty.

#### ROAD TESTING:

1. Start the engine with the transmission in neutral or park, and the parking brake engaged. Listen for air leaks or odd noises. For air leaks secure hoses and connections. For odd noises, find cause and repair before proceeding. This kit will function identically to the factory system except for being louder and much more responsive.

2. Test drive the vehicle. Listen for odd noises or rattles and fix as necessary.

3. If road test is fine, you can now enjoy the added power and performance from your kit.

4. K&N Engineering, Inc., requires cleaning the intake system's air filter element every 100,000 miles. When used in dusty or off-road environments, our filters will require cleaning more often. We recommend that you visually inspect your filter once every 25,000 miles to determine if the screen is still visible. When the screen is no longer visible some place on the filter element, it is time to clean it. To clean and re-oil, purchase our filter Recharger® service kit, part number 99-5050 or 99-5000 and follow the easy instructions.

**NOT LEGAL FOR SALE OR USE ON ANY POLLUTION CONTROLLED MOTOR VEHICLE IN CALIFORNIA OR STATES ADOPTING CALIFORNIA EMISSION PROCEDURES.**

See [knfilters.com](http://knfilters.com) for CARB status on each part for a specific vehicle