



AUTOMOTIVE PRODUCTS,

# INSTALLATION INSTRUCTIONS

## 6" PREMIER AND 4" OVAL TUBE MOUNT KIT

### APPLICATION:

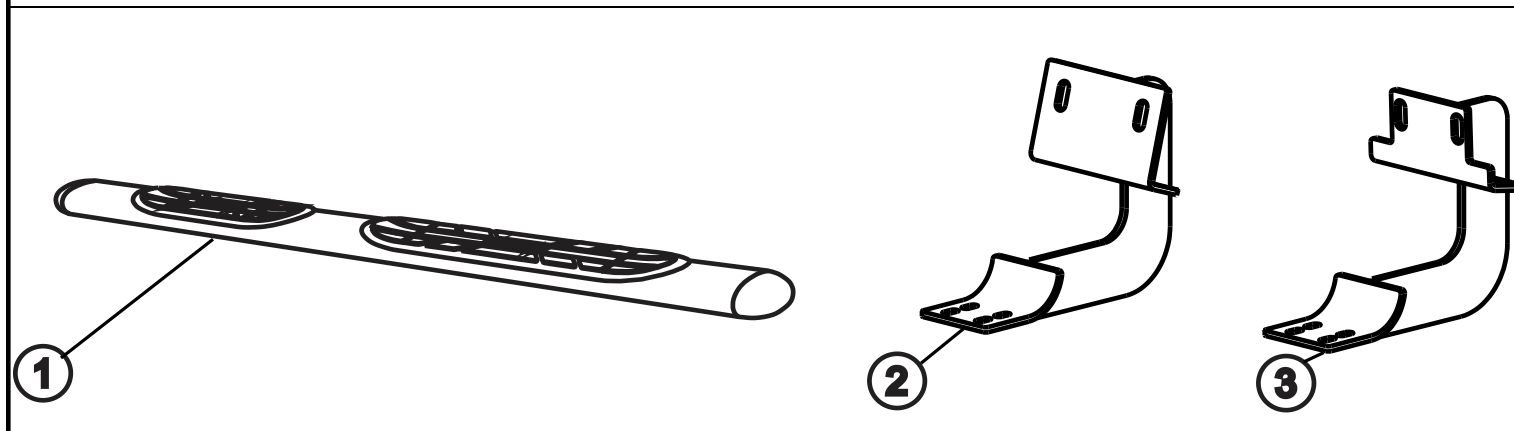
2001-2004 Ford F-150 Super Crew

### PART NUMBER:

22-1055

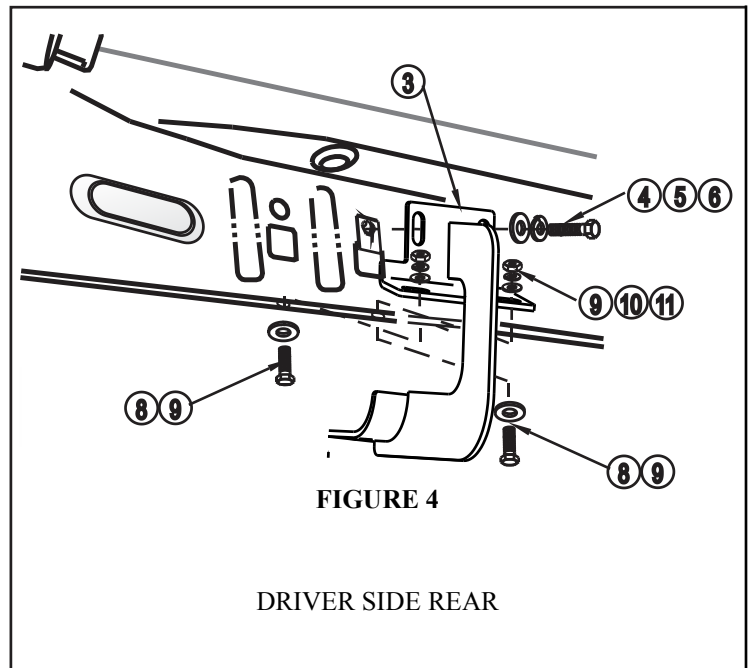
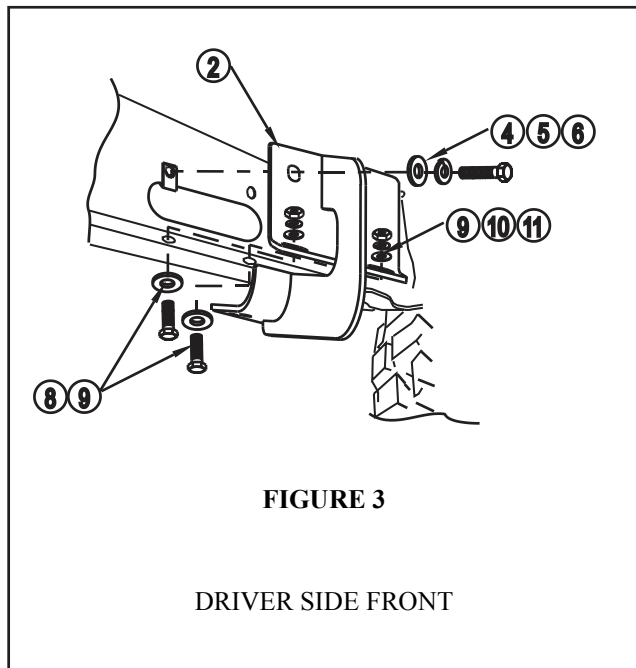
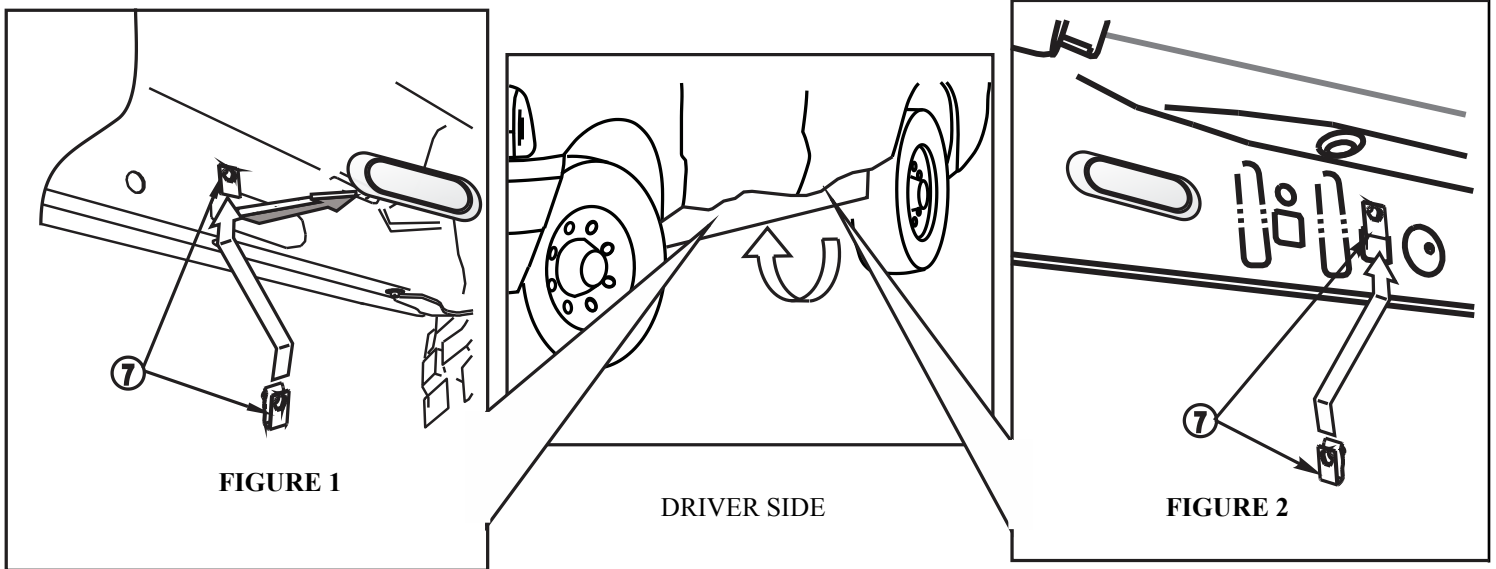
| ITEM | QUANTITY | DESCRIPTION                                    | TOOLS NEEDED  |
|------|----------|--|---------------|
| 1    | 2        | STEP BAR (SOLD SEPARATELY)                     | 9/16" SOCKET  |
| 2    | 2        | FRONT BRACKET                                  | 7/16" SOCKET  |
| 3    | 2        | REAR BRACKET                                   | 1/2" SOCKET   |
| 4    | 4        | 5/16-18 X 1.25" HEX HEAD BOLT                  | 9/16" WRENCH  |
| 5    | 4        | 5/16" FLAT WASHER                              | RATCHET       |
| 6    | 4        | 5/16" LOCK WASHER                              | TORQUE WRENCH |
| 7    | 4        | EXTRUDED U-NUT                                 |               |
| 8    | 8        | 3/8-16 X 1.25" HEX HEAD BOLT                   |               |
| 9    | 16       | 3/8" FLAT WASHER                               |               |
| 10   | 8        | 3/8" LOCK WASHER                               |               |
| 11   | 8        | 3/8-16 HEX NUT                                 |               |
| 12   | 4        | MOUNT ADAPTER PLATE (INCLUDED WITH STEP BARS)  |               |
| 13   | 16       | M6 LOCK NUT (INCLUDED WITH STEP BARS)          |               |
| 14   | 16       | M6 FLAT WASHER (INCLUDED WITH STEP BARS)       |               |
| 15   | 4        | 6 INCH ADAPTER PLATE (INCLUDED WITH STEP BARS) |               |

**ANTI-SEIZE LUBRICANT MUST BE USED ON ALL STAINLESS STEEL FASTENERS TO PREVENT THREAD DAMAGE AND GALLING**



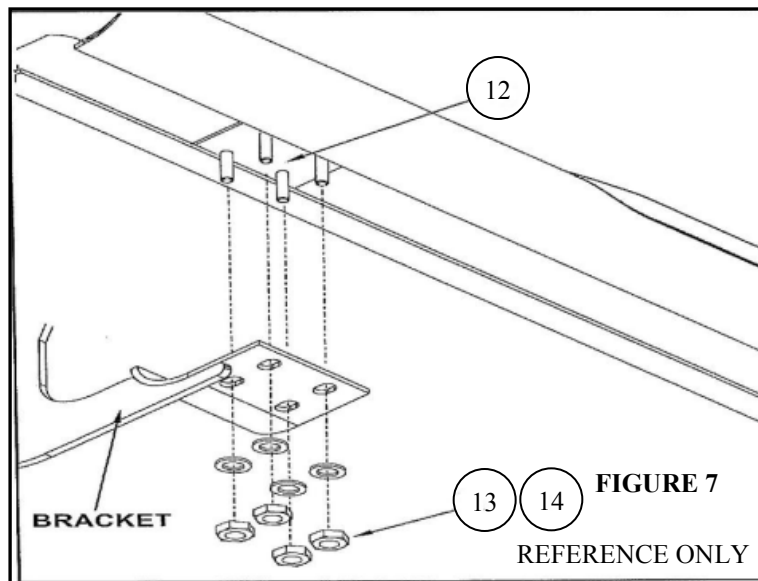
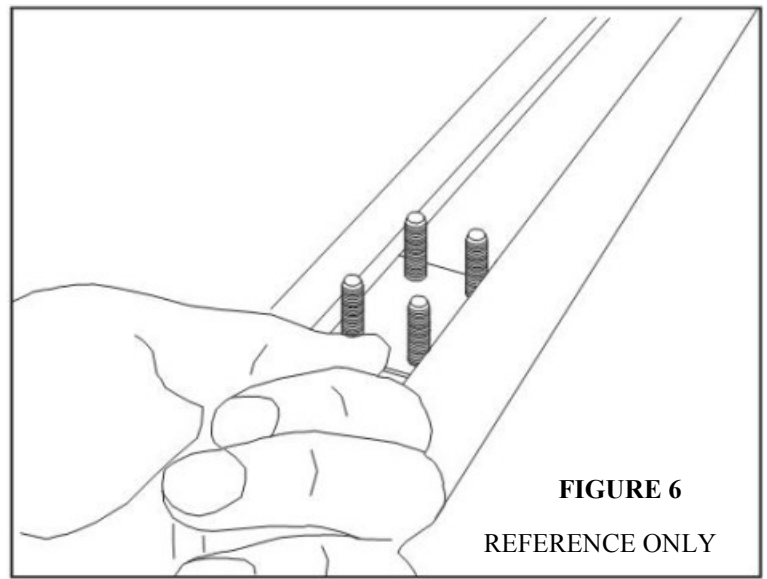
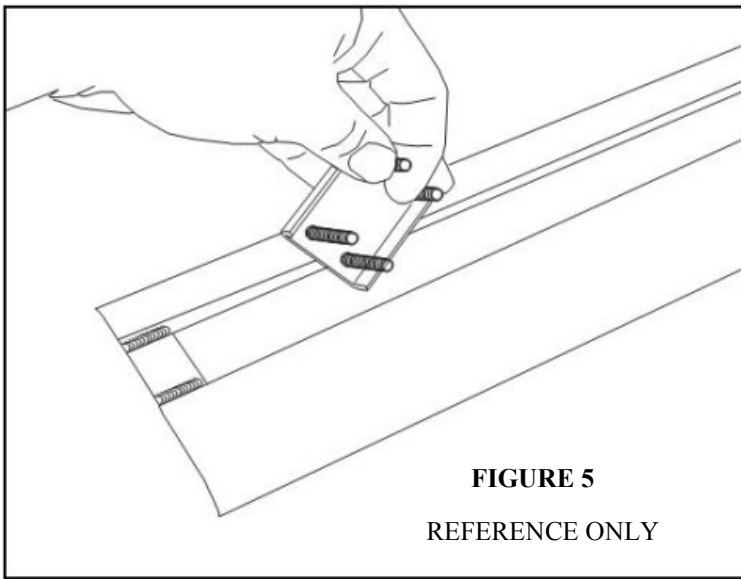
## PROCEDURE

1. Remove contents from box, verify if all parts listed are present and free from damage.  
Carefully read and understand all instructions before attempting installation.  
**Failure to identify damage before installation could lead to a rejection of any claim.**
2. Remove tape and plugs at mounting locations. Install extruded u-nuts as shown. See FIGURE 1 & 2.
3. Install front and rear brackets as shown. Hand tighten. See FIGURES 3 & 4.
4. Slide mount adapter plates on step bar as shown. Place step bar on saddle with long pad forward and end cap screw facing inward. Assemble with M6 hardware. See FIGURES 5, 6, & 7. Reference installation sheet, 75-0820, Oval Tube Mount Adapter Kit.
5. Make sure step bar and brackets are properly aligned with vehicle and tighten fasteners. Recommended torque values are 26 FT.LBS. for 3/8" fasteners, 7 FT.LBS. for 1/4" fasteners, 15 FT.LBS. FOR 5/16" fasteners.



Westin Automotive Products, Inc.  
320 W. Covina Blvd  
San Dimas, Ca. 91773

Thank you for choosing Westin products  
for additional installation assistance please call  
Customer Service (800) 793-7846



**CARE INSTRUCTIONS**

- REGULAR WAXING IS RECOMMENDED. DO NOT USE ANY TYPE OF POLISH OR WAX THAT MAY CONTAIN ABRASIVES.
- STAINLESS STEEL PRODUCTS CAN BE CLEANED WITH MILD SOAP AND WATER. STAINLESS STEEL POLISH SHOULD BE USED TO POLISH SMALL SCRATCHES.
- GLOSS BLACK FINISHES SHOULD BE CLEANED WITH MILD SOAP AND WATER.



Westin Automotive Products, Inc.  
320 W. Covina Blvd  
San Dimas, Ca. 91773

Thank you for choosing Westin products  
for additional installation assistance please call  
Customer Service (800) 793-7846