



INSTRUCTIONS—INSTRUCCIONES—CONSIGNES

APPLICATION: 00-UP CHEVY/GMC SILVERADO/SIERRA EXTENDED CAB/REG CAB 1500/2500/3500
APP PART # 22-1065, 22-1085
STEP BARS

AUTOMOTIVE PRODUCTS, INC.

ITEM	QUANTITY	DESCRIPTION	TOOLS NEEDED
1	2	STEP BARS	5/16 SOCKET
2,3	2	FRONT MOUNTING BRACKETS (2) DRIVERS SIDE, (3) PASSENGER SIDE	5/16 WRENCH
4,5	2	REAR MOUNTING BRACKETS (4) DRIVERS SIDE, (5) PASSENGER SIDE	M10 SOCKET
6,7	2	FRONT SUPPORT BRACKETS (6) DRIVERS SIDE, (7) PASSENGER SIDE	RATCHET
8,9	2	REAR SUPPORT BRACKETS (8) DRIVERS SIDE, (9) PASSENGER SIDE	TORQUE WRENCH
8	4	3/8 HEX HEAD BOLTS	
9	12	3/8 FLAT WASHER	
10	8	3/8 LOCK WASHERS	
11	8	3/8 HEX NUTS	
12	4	3/8 J-BOLTS	
13	4	M6 BOLT PLATES (INCLUDED WITH STEP BARS)	
14	16	M6 FLAT WASHERS (INCLUDED WITH STEP BARS)	
15	16	M6 NYLOCK NUTS (INCLUDED WITH STEP BARS)	

1. Remove contents from box, verify if all parts listed are present and free from damage. Carefully read and understand all instructions before attempting installation.
2. Starting on the passenger side, remove the factory body mount hardware and set aside .For extended cabs remove the front and center, for regular cabs remove the front and rear. FIG 1
3. Locate the passenger side front mounting bracket and attach it to the body mount using the factory hardware FIG 2.
4. Repeat step 4 for the rear mounting bracket.
5. At the front of the vehicle locate the factory hole located in the rocker panel in front of the body mount and insert (1) j-bolt into the hole FIG 3. Take the drivers side front support bracket and attach it to the j-bolt using (1) 3/8 flat washer, (1) 3/8 lock washer, and (1) 3/8 hex nut. Do not fully tighten at this time. Attach the support bracket to the front mounting bracket using (1) 3/8 hex head bolt, (2) 3/8 flat washers, (1) 3/8 lock washer, and (1) 3/8 hex nut FIG 4. Do not fully tighten at this time
6. Move to the rear mounting bracket and locate the hole in the rocker panel in front of the body mount, attach the rear support bracket as stated in step 5 FIG 5.
7. Take the step bar and place it on the mounting brackets attach the step bars to the mounting bracket using the M6 hardware included with the step bars. Do not fully tighten at this time.
8. Align and adjust step bars as needed then fully tighten all hardware at this time. Torque all factory hardware to 74 ft lbs, all 3/8 hardware to 30-35 ft lbs, and M6 hardware to 20-25 ft lbs. Repeat steps 2-8 for drivers side

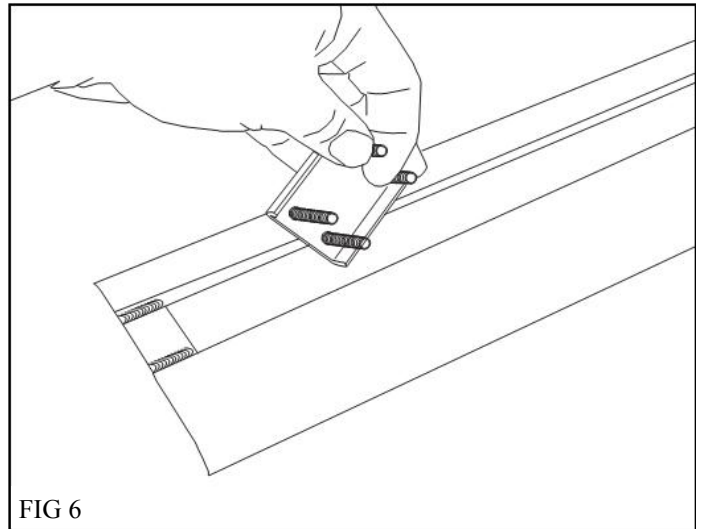
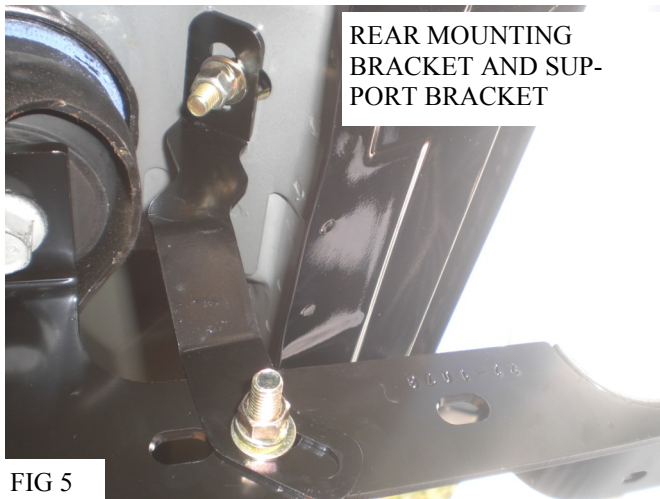
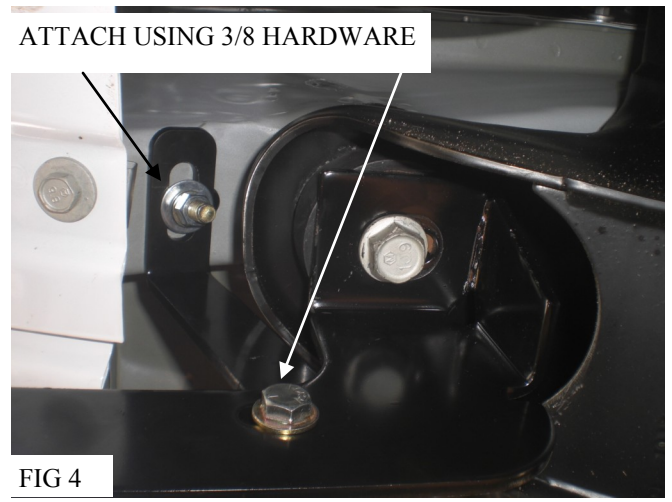
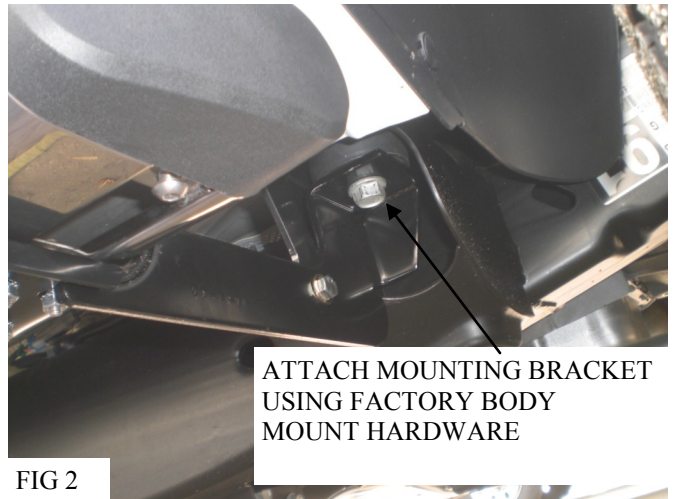
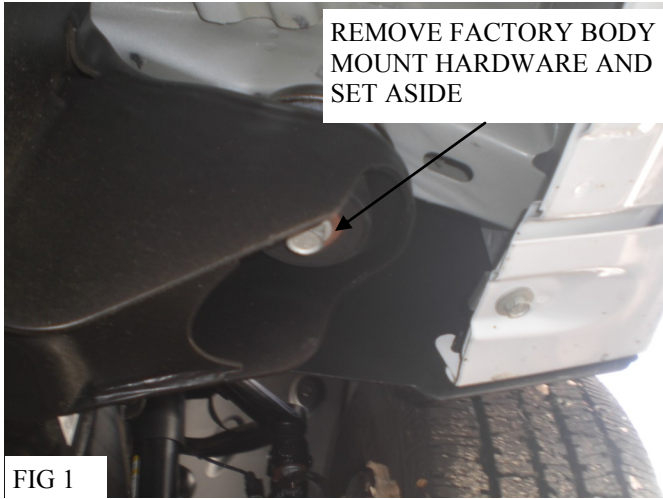
CARE INSTRUCTIONS

- REGULAR WAXING IS RECOMMENDED. DO NOT USE ANY TYPE OF POLISH OR WAX THAT MAY CONTAIN ABRASIVES
- STAINLESS STEEL PRODUCTS CAN BE CLEANED WITH MILD SOAP AND WATER. STAINLESS STEEL POLISH SHOULD BE USED TO POLISH SMALL SCRATCHES.
- GLOSS BLACK FINISHES SHOULD BE CLEANED WITH MILD SOAP AND WATER



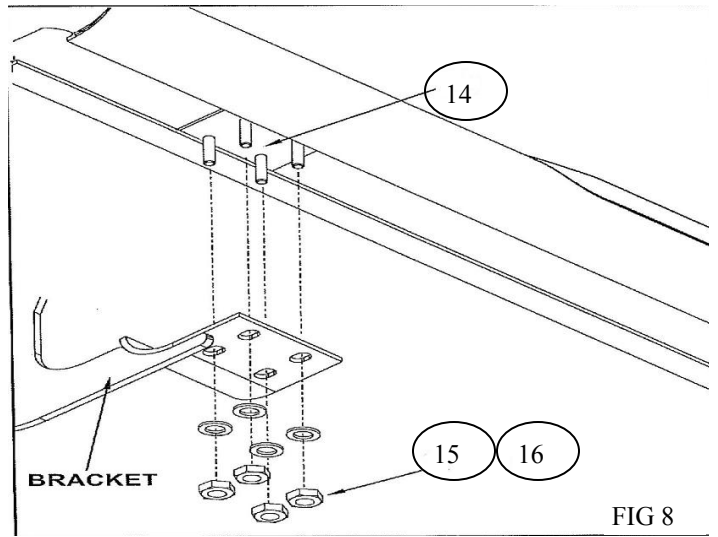
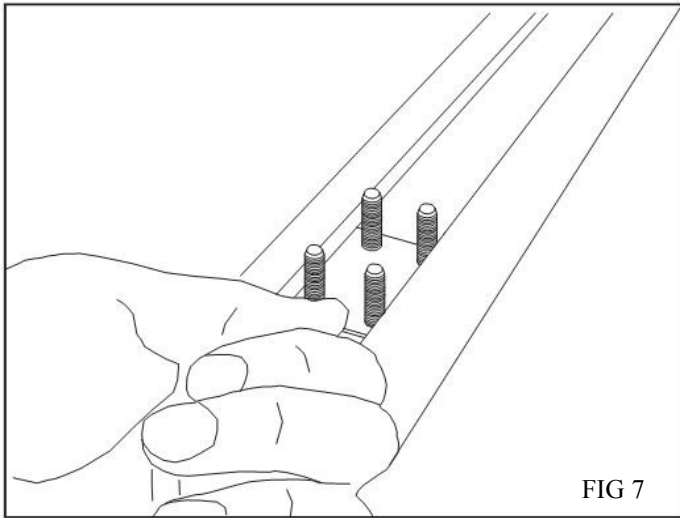
Westing Automotive Products, Inc.
5200 N. Irwindale Ave. Suite 220
Irwindale, Ca. 91706

Thank You for choosing Westin products
For Additional installation assistance please call
Customer service (800) 793-7846
www.westinautomotive.com



Westing Automotive Products, Inc.
5200 N. Irwindale Ave. Suite 220
Irwindale, Ca. 91706

Thank You for choosing Westin products
For Additional installation assistance please call
Customer service (800) 793-7846
www.westingautomotive.com



Westing Automotive Products, Inc.
 5200 N. Irwindale Ave. Suite 220
 Irwindale, Ca. 91706

Thank You for choosing Westin products
 For Additional installation assistance please call
 Customer service (800) 793-7846
www.westinautomotive.com