



INSTALLATION INSTRUCTIONS

6" PREMIER AND 4" OVAL TUBE MOUNT KIT

APPLICATION:

2002-2005 Ford Explorer (Excludes Sport Track & Sport Model)

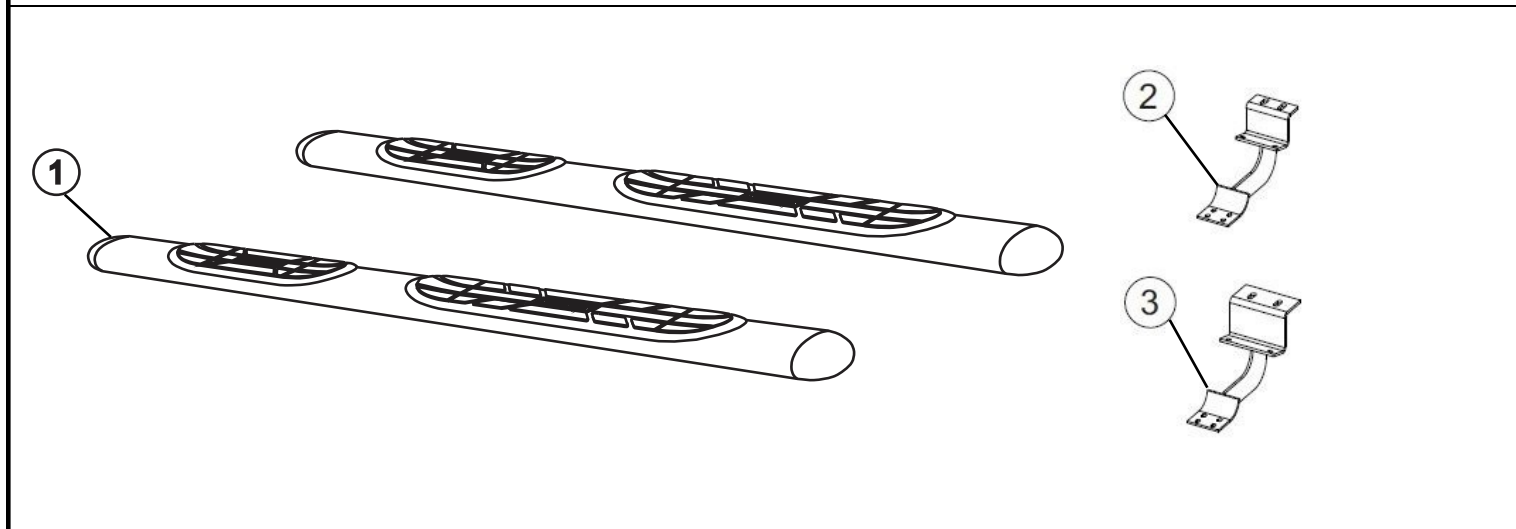
PART NUMBER:

22-1165

AUTOMOTIVE PRODUCTS,

ITEM	QUANTITY	DESCRIPTION	TOOLS NEEDED
1	2	STEP BAR (SOLD SEPERATELY)	1/2" SOCKET
2	2	FRONT BRACKET	7/16" SOCKET
3	2	REAR BRACKET	6" EXTENSION
4	12	5/16-18 X 1.00" HEX HEAD BOLT	RATCHET
5	12	5/16" USS FLAT WASHER	TORQUE WRENCH
6	12	5/16" LOCK WASHER	
7	12	EXTRUDED U-NUT	
8	4	MOUNT ADAPTER PLATE (INCLUDED WITH STEP BARS)	
9	16	M6 LOCK NUT (INCLUDED WITH STEP BARS)	
10	16	M6 FLAT WASHER (INCLUDED WITH STEP BARS)	
11	4	6 INCH ADAPTER PLATE (INCLUDED WITH STEP BARS)	

ANTI-SEIZE LUBRICANT MUST BE USED ON ALL STAINLESS STEEL FASTENERS TO PREVENT THREAD DAMAGE AND GALLING



Westin Automotive Products, Inc.
320 W. Covina Blvd
San Dimas, Ca. 91773

Thank you for choosing Westin products
for additional installation assistance please call
Customer Service (800) 793-7846

PROCEDURE

1. Remove contents from box, verify if all parts listed are present and free from damage.

Carefully read and understand all instructions before attempting installation.

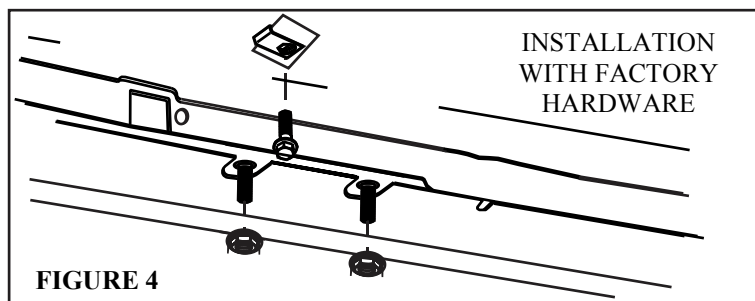
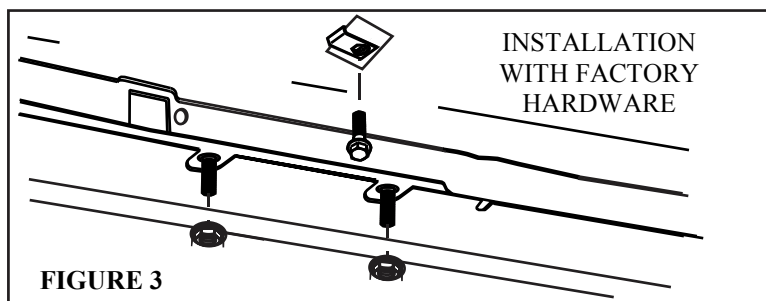
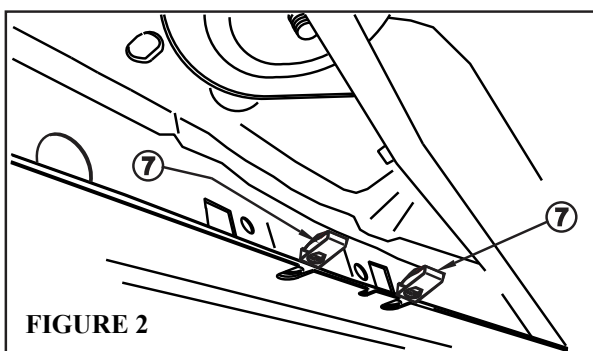
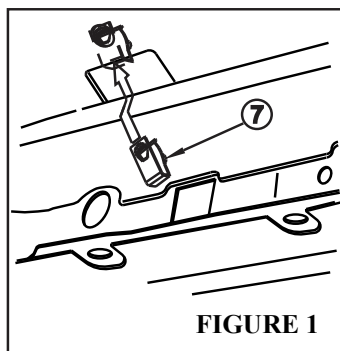
Failure to identify damage before installation could lead to a rejection of any claim.

NOTE: On vehicles with running boards, running boards must be removed. On vehicles without running boards, remove plastic trim and mount plates fastened to bottom of rocker panel. Use 7/16" socket to remove tin nuts and screwdriver to remove plastic clips holding mount plate.

NOTE: If installing oval tubes on vehicles equipped with factory step boards, rear air conditioning and heat, existing factory mounting hardware is used. The front bracket is placed over both mounting studs protruding from rocker panel, reuse factory nuts. If installing step bars on vehicles without step boards with rear air and heat, the plastic studs will need to be trimmed and a 5/16" hole drilled through the plastic where the stud was. Insert bolts through these holes.

NOTE: Be careful not to drill into the air conditioning lines.

2. If installing Westin step boards on vehicles equipped with factory step boards, the existing factory hardware can be used. **SEE FIGURES 3 & 4.** If factory hardware is not present, use fasteners provided.
3. Install extruded u-nuts as shown. **SEE FIGURES 1 & 2.**
4. Loosely attach rear brackets to underside of body panel as shown. **SEE FIGURE 5.** **NOTE:** Rear brackets are wider than front brackets.
5. Loosely attach front brackets to underside of body panel as shown. **See FIGURE 6.**
NOTE: For vehicles with rear A/C option, be careful of refrigeration lines when installing brackets on passenger side.
6. Slide mount adapter plates on step bar as shown. Place step bar on saddle with long pad forward and end cap screw facing inward. Assemble with M6 hardware. **See FIGURES 7, 8, & 9.** Reference installation sheet, 75-0820, Oval Tube Mount Adapter Kit.
7. Make sure step bar and brackets are properly aligned with vehicle and tighten fasteners. Recommended torque values are 15 FT.LBS. for 5/16" fasteners and 7 FT.LBS. for 1/4" fasteners.



Westin Automotive Products, Inc.
320 W. Covina Blvd
San Dimas, Ca. 91773

FIGURE 5

REAR DRIVER SIDE, PASSENGER
SIDE OPPOSITE

SEE FIGURE 1

SEE FIGURE 2

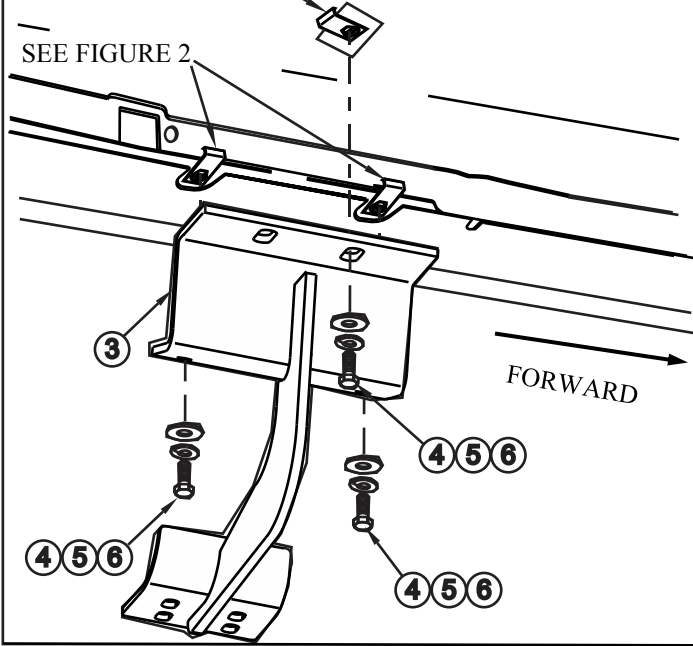
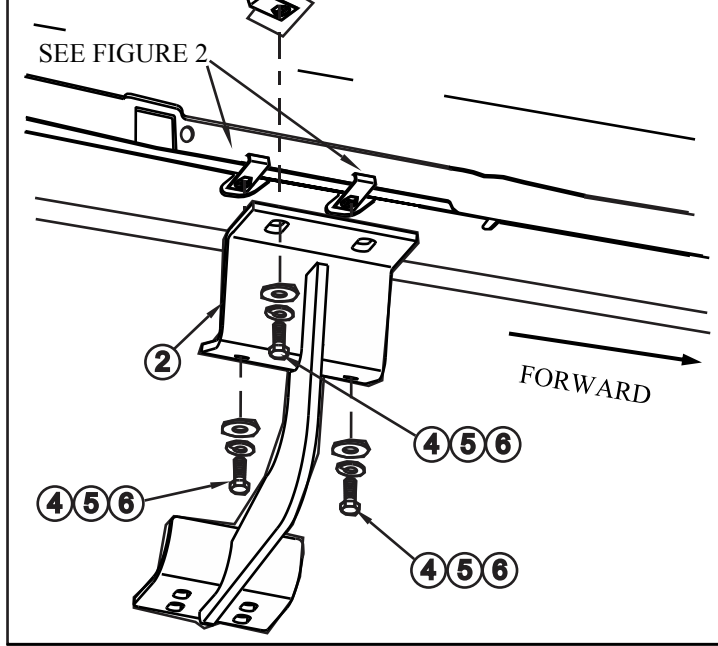


FIGURE 6

REAR DRIVER SIDE, PASSENGER
SIDE OPPOSITE

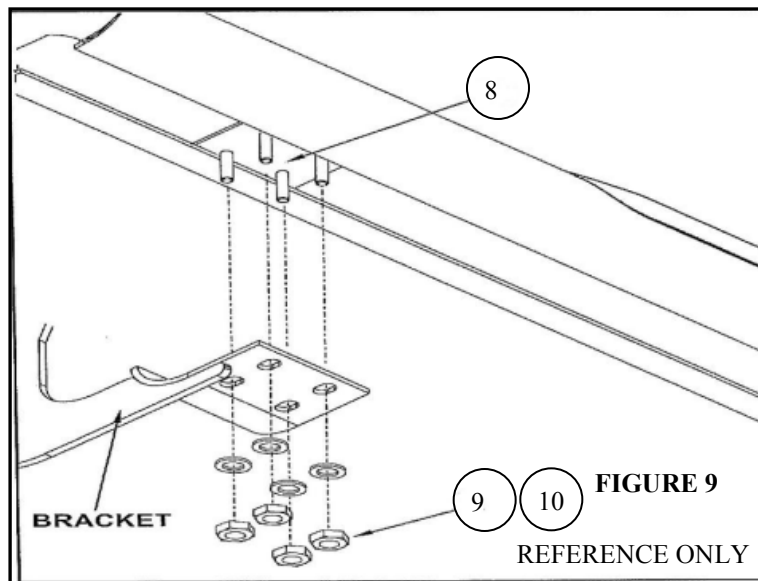
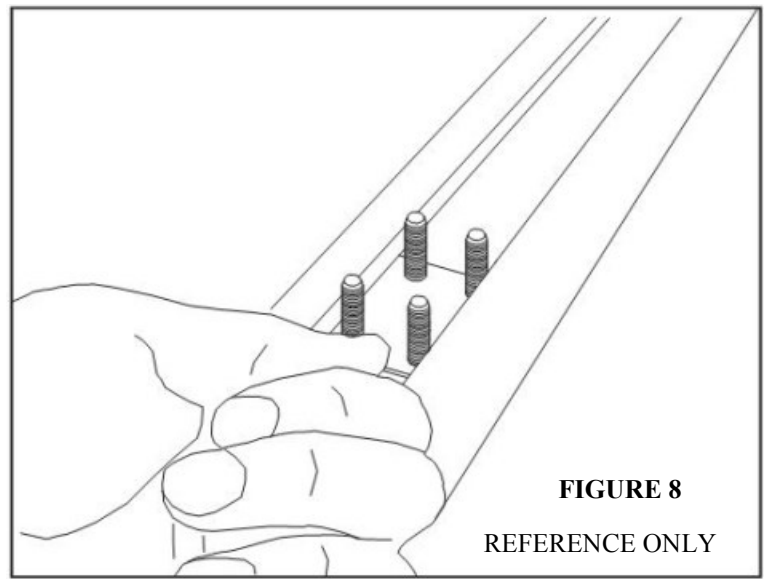
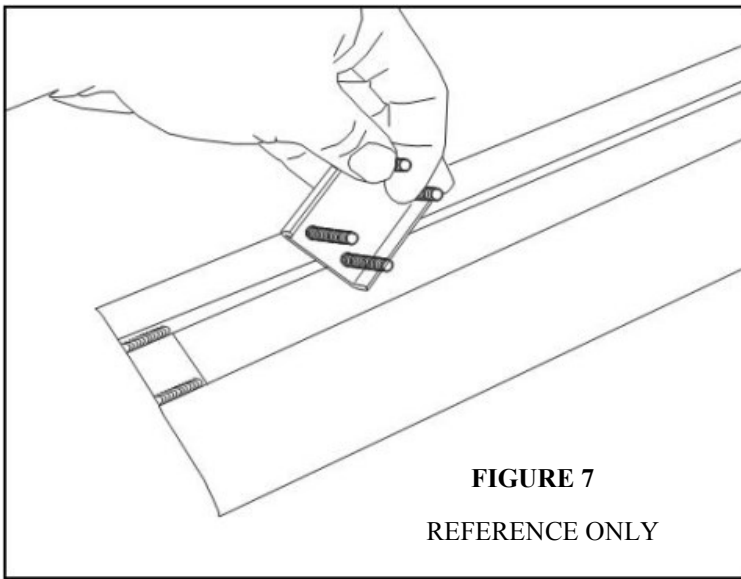
SEE FIGURE 1

SEE FIGURE 2



Westin Automotive Products, Inc.
320 W. Covina Blvd
San Dimas, Ca. 91773

Thank you for choosing Westin products
for additional installation assistance please call
Customer Service (800) 793-7846



CARE INSTRUCTIONS

- REGULAR WAXING IS RECOMMENDED. DO NOT USE ANY TYPE OF POLISH OR WAX THAT MAY CONTAIN ABRASIVES.
- STAINLESS STEEL PRODUCTS CAN BE CLEANED WITH MILD SOAP AND WATER. STAINLESS STEEL POLISH SHOULD BE USED TO POLISH SMALL SCRATCHES.
- GLOSS BLACK FINISHES SHOULD BE CLEANED WITH MILD SOAP AND WATER.



Westin Automotive Products, Inc.
320 W. Covina Blvd
San Dimas, Ca. 91773

Thank you for choosing Westin products
for additional installation assistance please call
Customer Service (800) 793-7846