



SIGNATURE OF QUALITY

AUTOMOTIVE PRODUCTS, INC.

INSTRUCTIONS—INSTRUCCIONES—CONSIGNES

APPLICATION: 2015 CHEVY TAHOE & SUBURBAN

WINCH TRAY, HDX GG WT KIT

APPLICATION PART #'S 46-23805, 57-93805

ITEM	QUANTITY	DESCRIPTION	TOOLS NEEDED
1	1	WINCH TRAY	RATCHET
2,3	2	WINCH TRAY MOUNTING BRACKETS (DRV & PASS)	15MM WRENCH
4	2	M12 HEX BOLTS (LONG)	15MM SOCKET
5	4	M12 HEX BOLTS (SHORT)	ALLEN WRENCH
6	6	M12 FLAT WASHERS (NARROW)	18MM SOCKET
7	2	M12 FLAT WASHERS (WIDE)	16MM SOCKET
8	6	M12 LOCK WASHERS	16MM WRENCH
9	4	M12 FLANGE BOLTS	RATCHET EXT.
10	4	M12 FLANGE NUTS	TORQUE WRENCH
11	2	M12 HEX NUTS	2" HOLE SAW
12	2	M10 FLANGE BOLTS	DRILL MOTOR
13	2	M10 FLANGE NUTS	
14	1	HDX GRILLE GUARD (57-93805 ONLY)	
15	1	DRILL TEMPLATE (DRV & PASS)	
16,17	2	UPPER MOUNT BRACKET (DRV & PASS) (57-93805 ONLY)	
18	2	SPACER	
19	2	M10 SOCKET HEAD BOLT (57-93805 ONLY)	
20	2	M10 CUPPED WASHER STAINLESS (57-93805 ONLY)	
21	2	M12X45MM BUTTON HEAD BOLT STAINLESS (57-93805 ONLY)	
22	4	M12X35MM BUTTON HEAD BOLT STAINLESS (57-93805 ONLY)	
23	6	M12 FLANGE HEX NUT STAINLESS (57-93805 ONLY)	
24	6	M12 CUPPED FLAT WASHER STAINLESS (57-93805 ONLY)	

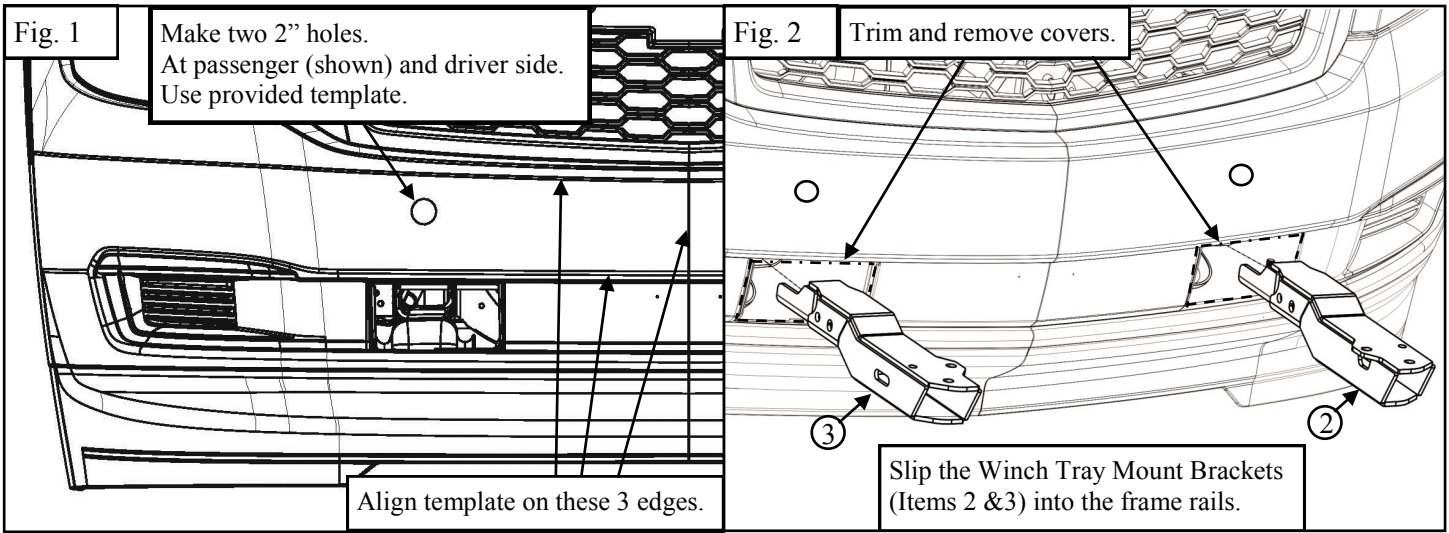
ANTI-SEIZE LUBRICANT MUST BE USED ON ALL STAINLESS STEEL FASTENERS TO PREVENT THREAD DAMAGE AND GALLING.

1. Remove contents from box, verify if all parts listed are present and free from damage. Carefully read and understand all instructions before attempting installation.
2. If equipped, remove the factory tow hooks.
3. Remove plastic splash guards from beneath vehicle.
4. Use the template provided with this kit to make a center mark (Item 25). Use a 2" hole saw to cut a hole at the center mark (Figure 1). Remove the exposed M10 bolt from on each side of the bumper.

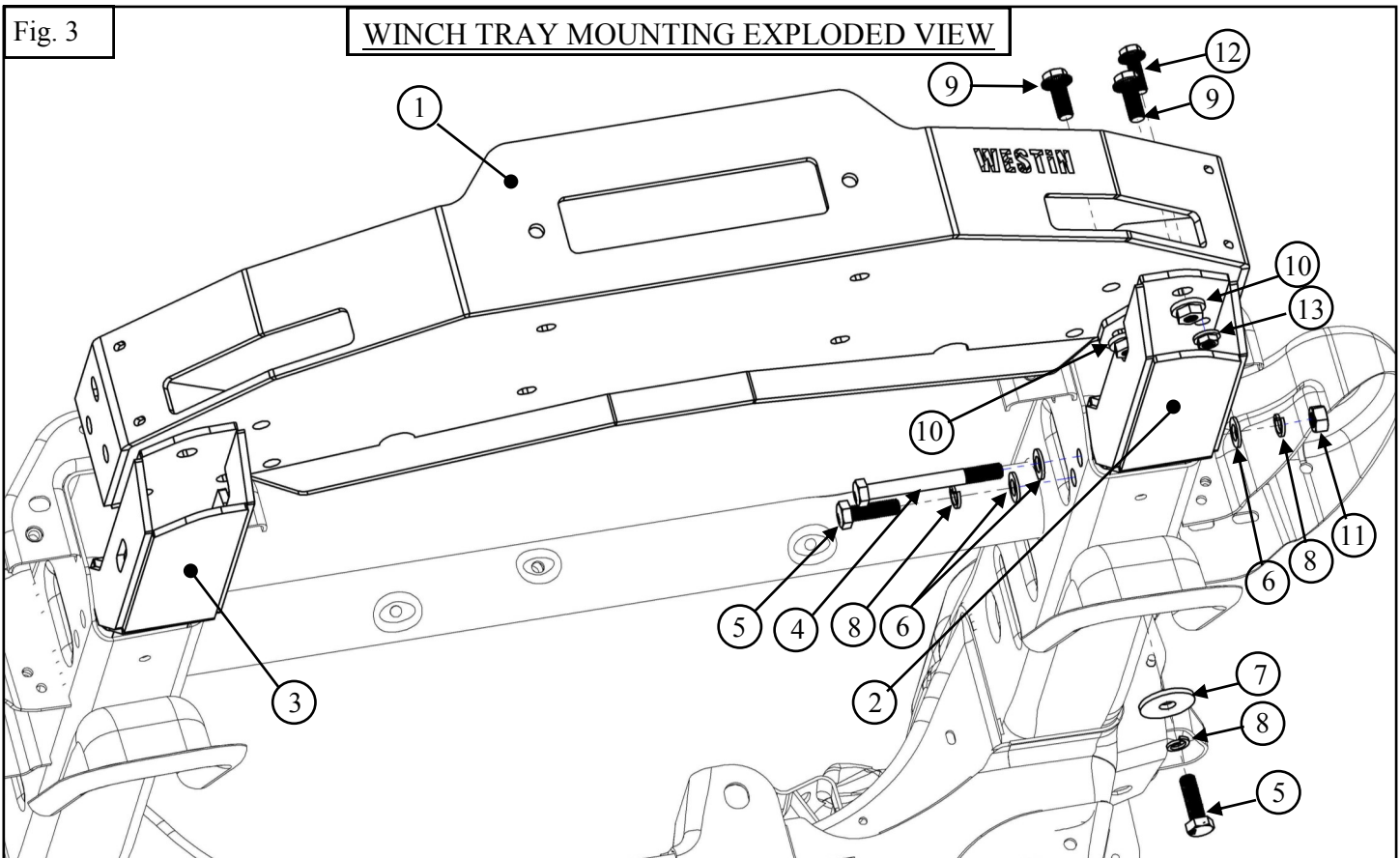


Westin Automotive Products, Inc.
320 Covina Blvd
San Dimas, Ca. 91773

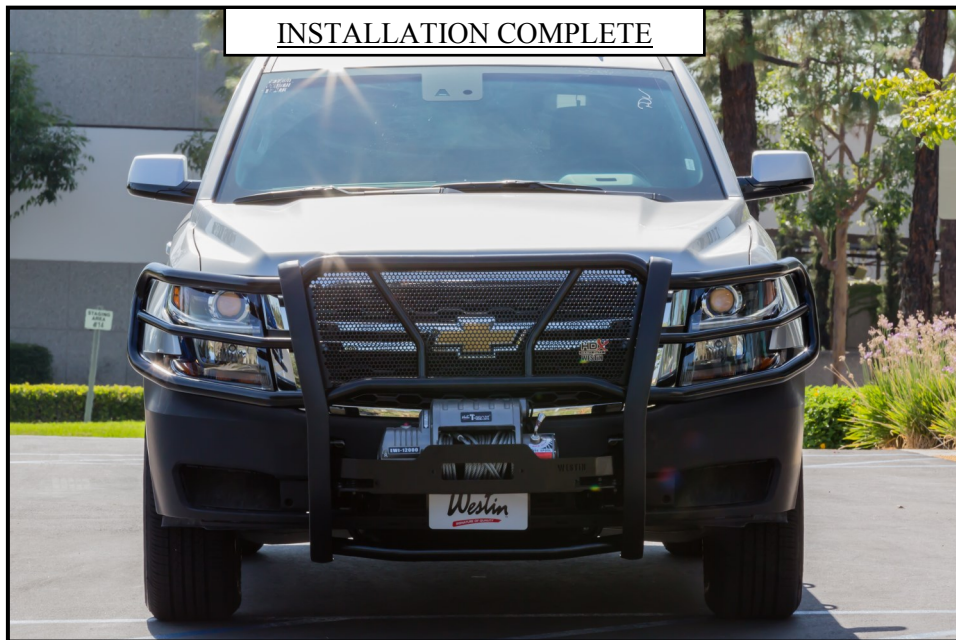
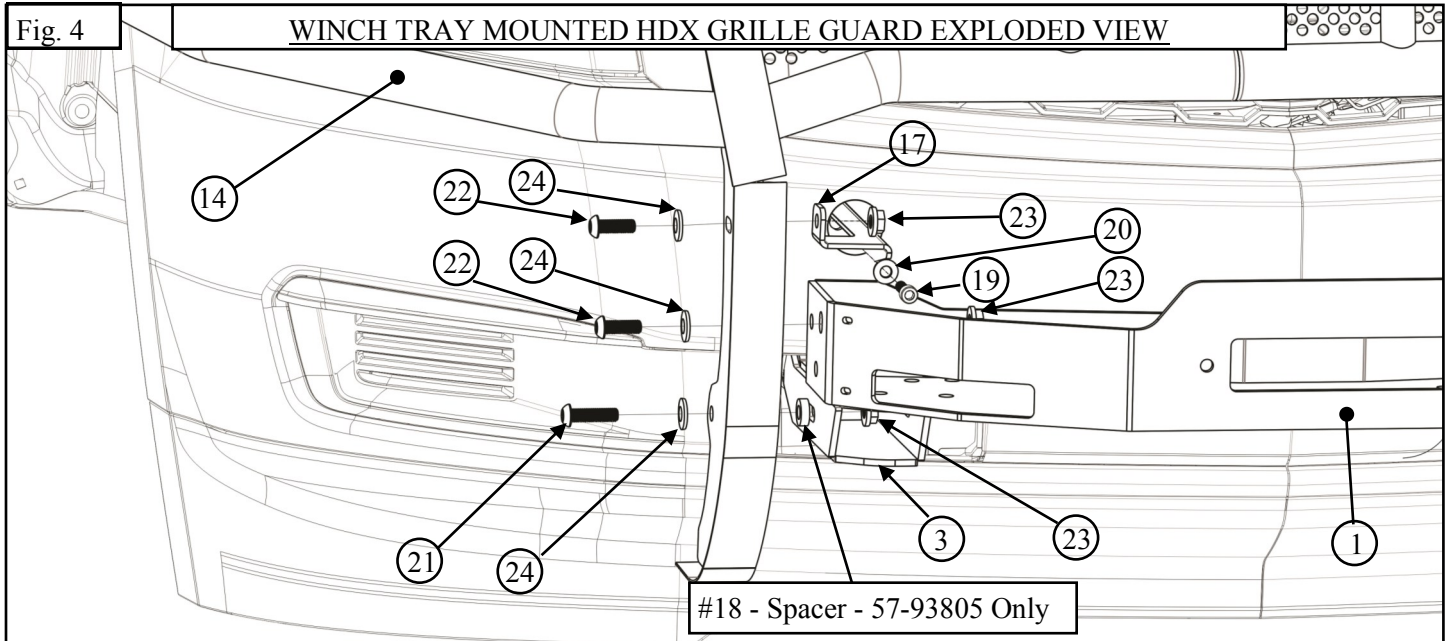
Thank You for choosing Westin products
For Additional installation assistance please call
Customer service (800) 793-7846
www.westinautomotive.com



5. Trim tow access cover. (Figure 2).
6. Slip the supplied winch tray mounting brackets (2 & 3) into the frame rails (Figure 2) and loosely secure them with the supplied M12 hardware (Figure 3).
7. Loosely install the Winch Tray to the mounting brackets using the supplied M10 and M12 hardware (Figure 3).
8. Tighten and torque M10 hardware to 30-35 ft-lbs, M12 to 50-55 ft-lbs. (Skip this step if installing a grill guard).
9. Install the winch per the winch manufacturer's instructions. Note: Many winches cannot be installed once the grille guard has been bolted in place.



10. Loosely install the upper mount brackets through the holes previously made (Items 16 & 17 shown) using the M10 socked head bolts and cupped washers (Figure 4).
11. With the help of an assistant, install the grill guard using the button head bolts (Items 21 & 22) as shown in (Figure 4).
12. Align and adjust as needed.
13. Tighten and torque all remaining hardware; M10 to 30-35 ft-lbs., M12 to 50-55 ft-lbs.



CARE INSTRUCTIONS

- REGULAR WAXING IS RECOMMENDED. DO NOT USE ANY TYPE OF POLISH OR WAX THAT MAY CONTAIN ABRASIVES.
- STAINLESS STEEL PRODUCTS CAN BE CLEANED WITH MILD SOAP AND WATER. STAINLESS STEEL POLISH SHOULD BE USED TO POLISH SMALL SCRATCHES.
- GLOSS BLACK FINISHES SHOULD BE CLEANED WITH MILD SOAP AND WATER.

Westin
 SIGNATURE OF QUALITY
 Westin Automotive Products, Inc.
 320 Covina Blvd
 San Dimas, Ca. 91773

Thank You for choosing Westin products
 For Additional installation assistance please call
 Customer service (800) 793-7846
 www.westinautomotive.com