

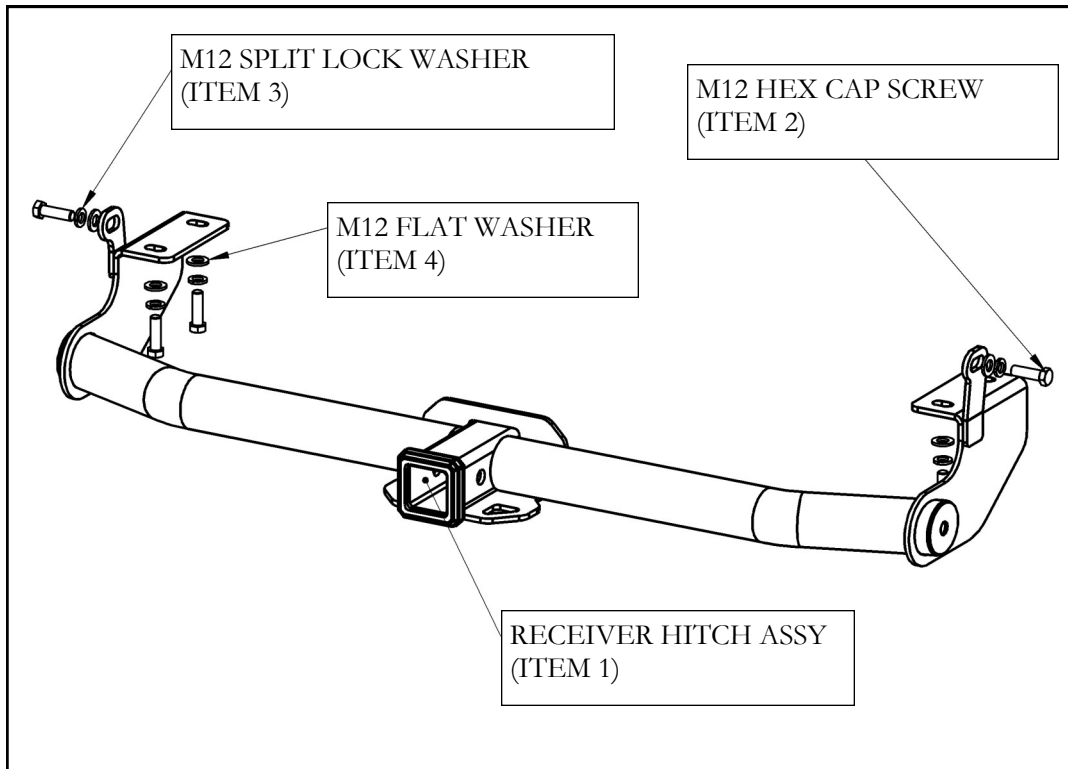


INSTALLATION INSTRUCTIONS

CLASS 3 RECEIVER HITCH
APPLICATION: 2014+ Toyota Highlander

PART NUMBER: 65-1365

ITEM	QUANTITY	DESCRIPTION	TOOLS NEEDED
1	1	RECEIVER HITCH ASSY	19MM SOCKET
2	6	M12 HEX CAP SCREWS	13MM SOCKET
3	6	M12 SPLIT LOCK WASHERS	RATCHET
4	6	M12 FLAT WASHERS	FLAT BLADE SCREWDRIVER
			PHILLIPS HEAD SCREWDRIVER
			TORQUE WRENCH



WARNING: Never exceed the capacity ratings shown on the receiver hitch or the tow vehicle. See your vehicle's owners guide for towing guidelines.

NOTICE: This product complies with all safety specifications and requirements defined for V.E.S.C. regulation V-5 & SAE J684

CARE INSTRUCTIONS

- BLACK FINISHES SHOULD BE CLEANED WITH MILD SOAP AND WATER

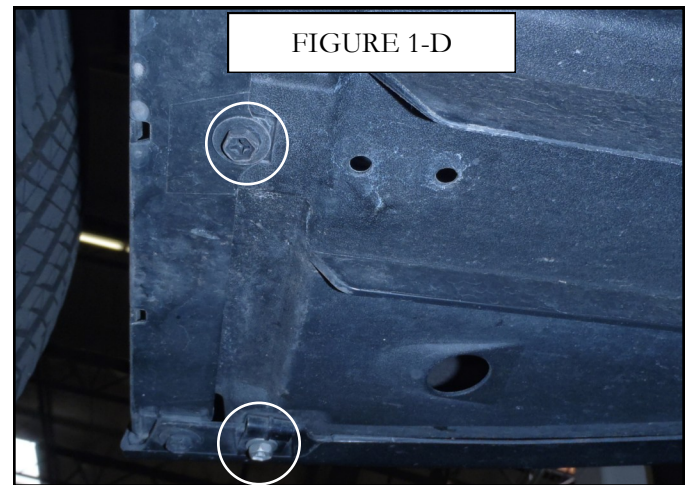
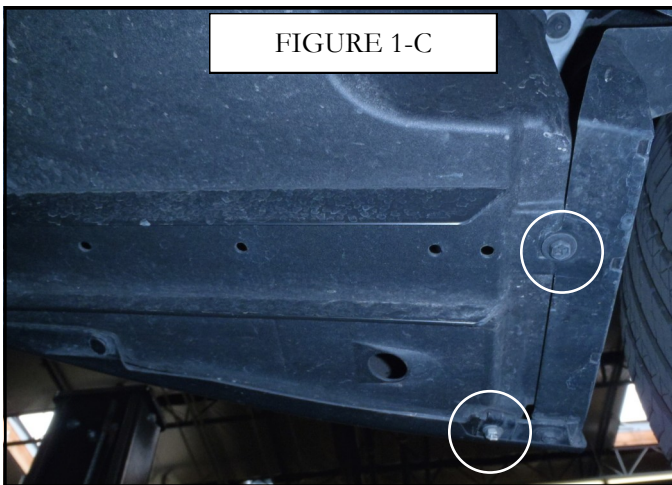


Westin Automotive Products, Inc.
320 Covina Blvd
San Dimas, Ca. 91773

Thank You for choosing Westin products
For Additional installation assistance please call
Customer service (800) 793-7846
www.westinautomotive.com



1. Remove contents from box, verify if all parts listed are present and free from damage. Carefully read and understand all instructions before attempting installation.
2. At the rear of the vehicle, remove the two side rear splash shields from under the bumper. Remove the various clips and Phillips screws. FIGURE 1
3. Only the driver side splash shield will need to be trimmed for installation. Please refer to the trimming diagram on page 3.



Westin Automotive Products, Inc.
 320 Covina Blvd
 San Dimas, Ca. 91773

Thank You for choosing Westin products
 For Additional installation assistance please call
 Customer service (800) 793-7846
www.westinautomotive.com

4. Remove the two 13MM screws that secure the rearmost exhaust muffler hanger. Also remove the rear most 3 bottom and 1 side hole plugs from the driver and passenger side uni-body channels. FIGURE 2 & 3



FIGURE 2

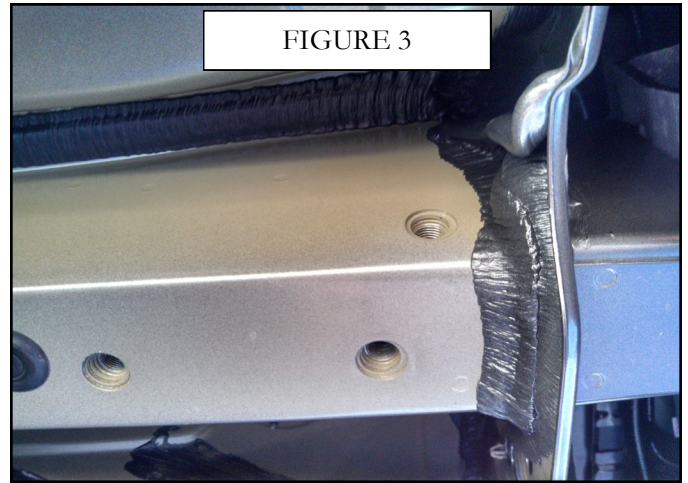


FIGURE 3

5. With assistance, raise the receiver hitch assembly up to the uni-body channels. Also, insert the driver side mounting flanges through the trimmed driver side splash shield. Secure the hitch in place with the supplied M12 hex cap screws, split lock washers, and flat washers at each mounting location. Do not fully tighten at this time. FIGURE 5 & 6

6. Re-attach the exhaust hanger at this time. Adjust the hitch assembly as desired then tighten all M12 fasteners to 65-75 lbs-ft.

7. Re-attach the driver and passenger side splash shields. Installation is completed.



FIGURE 4

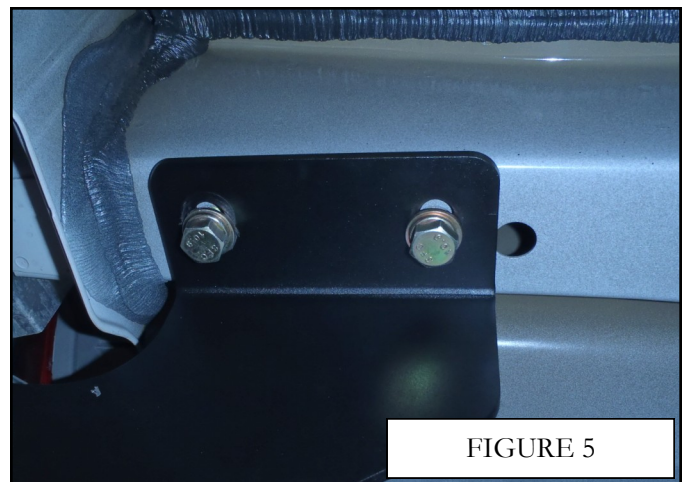


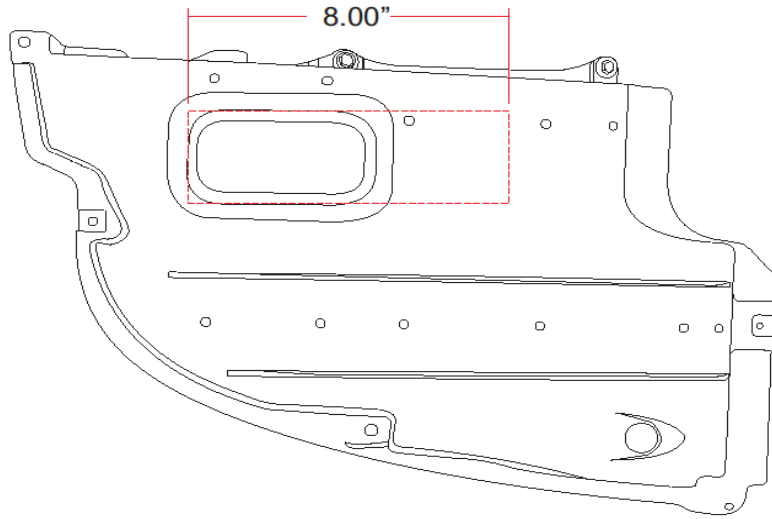
FIGURE 5



Westin Automotive Products, Inc.
320 Covina Blvd
San Dimas, Ca. 91773

Thank You for choosing Westin products
For Additional installation assistance please call
Customer service (800) 793-7846
www.westinautomotive.com

DRIVER SIDE SPLASH SHIELD



INSTALLATION COMPLETE



Westin Automotive Products, Inc.
320 Covina Blvd
San Dimas, Ca. 91773

Thank You for choosing Westin products
For Additional installation assistance please call
Customer service (800) 793-7846
www.westinautomotive.com



AUTOMOTIVE PRODUCTS, INC.
San Dimas, California

WARNINGS & NOTICES FOR THE INSTALLATION OF WESTIN TOWING PRODUCTS - CLASS III RECEIVER HITCH

NOTICE

Westin Receiver Hitches are designed to accommodate a 2"- square receiver type draw bar rated for class III/ IV towing. Closely follow all Westin Installation Instructions for the proper installation of product. Improper installation can result in death, serious injury, and/or product and vehicle damage. In the operation of these products, it is imperative to observe precautions for your personal safety and the safety of others.

WARNING

Failure to follow these instructions could lead to death, personal injury, and / or property damage.

FASTENERS:

All Westin supplied fasteners must be utilized and installed in accordance with the installation instructions and apply torque to the specifications as defined. **DOUBLE CHECK ALL FASTENERS BEFORE INITIAL USE, AND PERIODICALLY IN THE FUTURE TO ENSURE PROPER FUNCTION AND SAFETY.**

DRILLING:

Most Westin products do not require drilling for installation. If drilling is defined as required, use caution when drilling a vehicle. **FAILURE TO REVIEW AN AREA TO BE DRILLED MAY RESULT IN PERSONAL INJURY AND/OR INJURY TO OTHERS AS WELL AS VEHICLE DAMAGE.**

EYE PROTECTION:

ALWAYS WEAR SAFETY GLASSES OR GOGGLES DURING THE INSTALLATION PROCESS TO AVOID PERSONAL INJURY.

MAXIMUM TOWING/CARRYING CAPACITY:

The Westin Receiver Hitches will have a visible tow rating label affixed directly on the product. User should never exceed the vehicle manufacturers maximum tow and weight rating regardless of the capacity of the hitch. **FAILURE TO FOLLOW THESE GUIDELINES WILL VOID THE WESTIN WARRANTY AND MAY RESULT IN PERSONAL INJURY AND/OR INJURY TO OTHERS AS WELL AS VEHICLE DAMAGE.**



Westin Automotive Products, Inc.
320 Covina Blvd
San Dimas, Ca. 91773

Thank You for choosing Westin products
For Additional installation assistance please call
Customer service (800) 793-7846
www.westinautomotive.com