



AUTOMOTIVE PRODUCTS,

INSTALLATION INSTRUCTIONS

4" OVAL TUBE MOUNT KIT

APPLICATION:

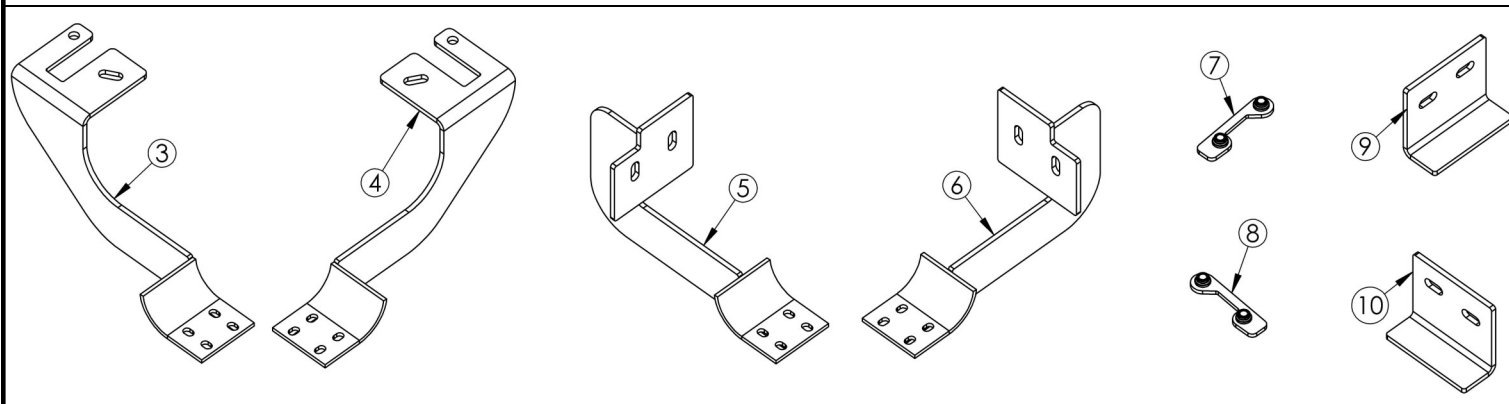
1998-2011 Ford Ranger Extended Cab 4dr

PART NUMBER:

22-1455

ITEM	QUANTITY	DESCRIPTION	TOOLS NEEDED
1,2	2	STEP BAR, PASSENGER (1) AND DRIVER (2) (SOLD SEPERATELY)	9/16" SOCKET
3,4	2	FRONT BRACKET, PASSENGER (3) AND DRIVER (4)	9/16" WRENCH
5,6	2	REAR BRACKET, PASSENGER (5) AND DRIVER (6)	7/16" SOCKET
7,8	2	MOUNT PLATE ASSEMBLY, PASSENGER (7) AND DRIVER (8)	7/16" WRENCH
9,10	2	MOUNT PLATE REAR, PASSENGER (9) AND DRIVER (10)	13MM WRENCH
11	8	3/8-16 X 1.50" HEX HEAD BOLT	RATCHET
12	12	3/8" FLAT WASHER	TORQUE WRENCH
13	8	3/8" LOCK WASHER	
14	4	3/8-16 HEX NUT	
15	4	MOUNT ADAPTER PLATE (INCLUDED WITH STEP BARS)	
16	16	M6 LOCK NUT (INCLUDED WITH STEP BARS)	
17	16	M6 FLAT WASHER (INCLUDED WITH STEP BARS)	

ANTI-SEIZE LUBRICANT MUST BE USED ON ALL STAINLESS STEEL FASTENERS TO PREVENT THREAD DAMAGE AND GALLING

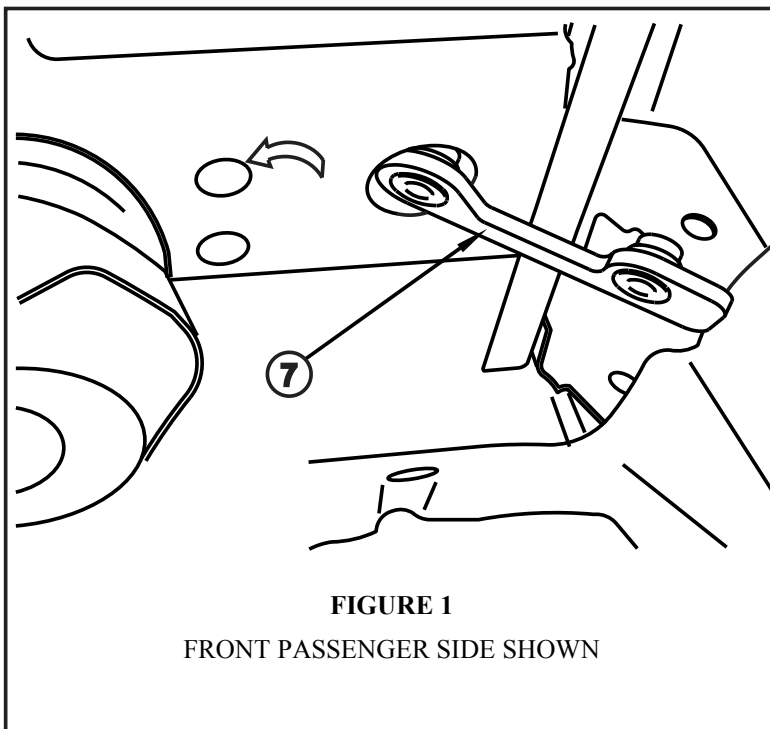


Westin Automotive Products, Inc.
320 W. Covina Blvd
San Dimas, Ca. 91773

Thank you for choosing Westin products
for additional installation assistance please call
Customer Service (800) 793-7846

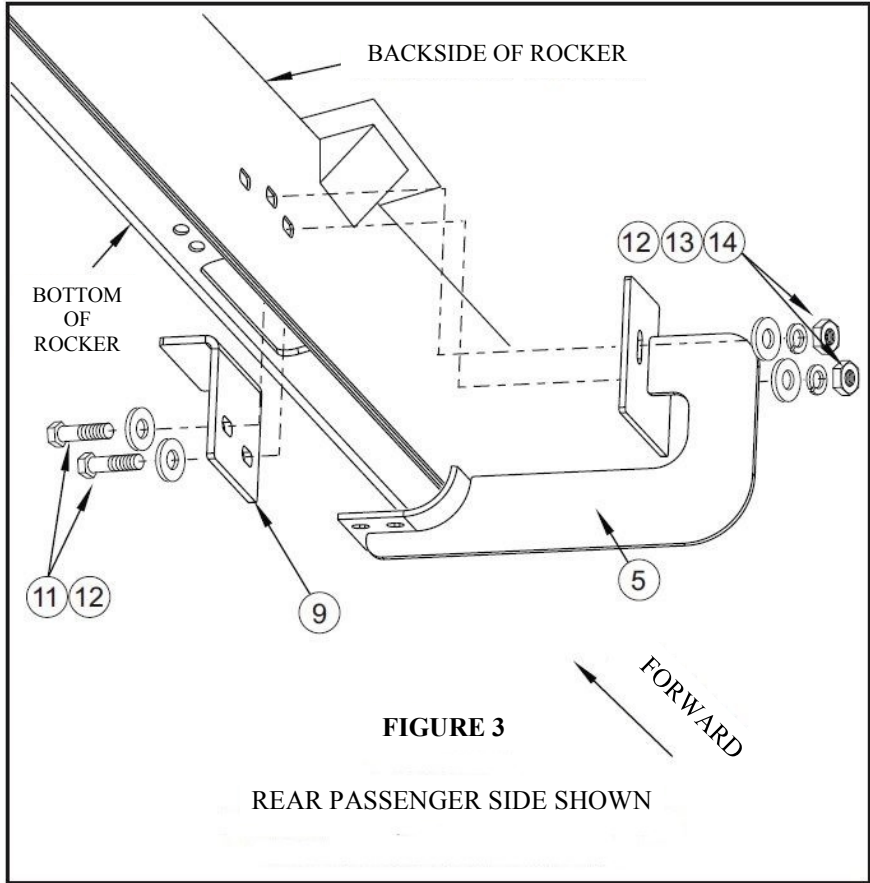
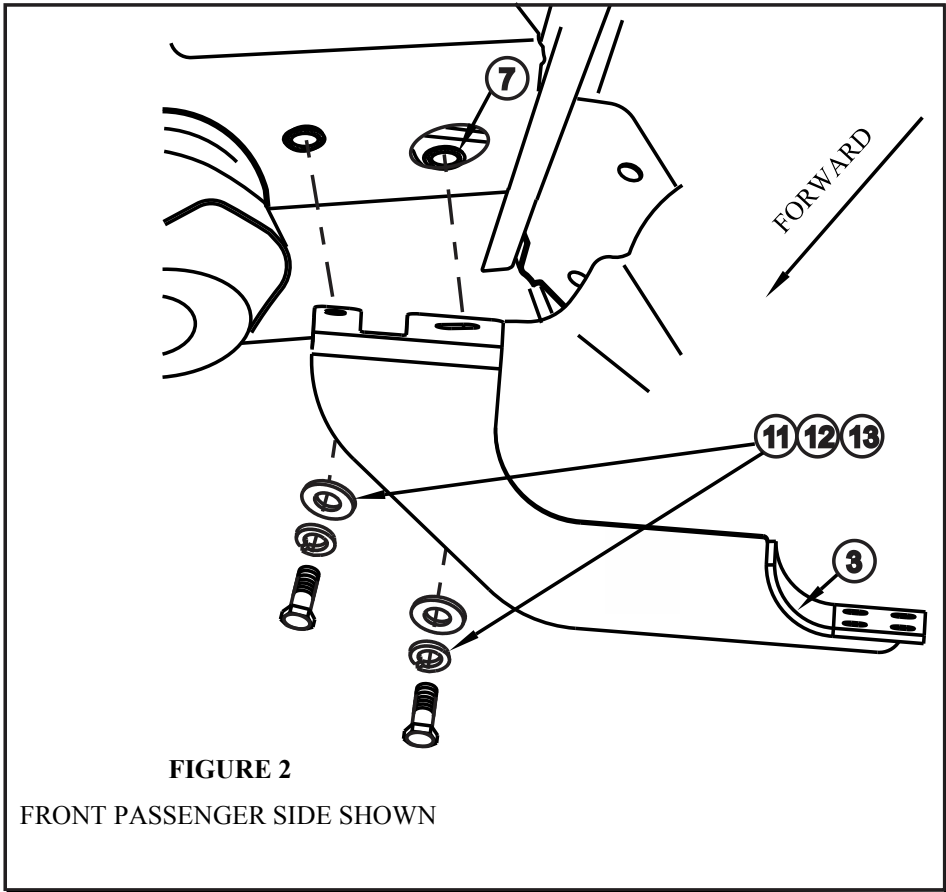
PROCEDURE

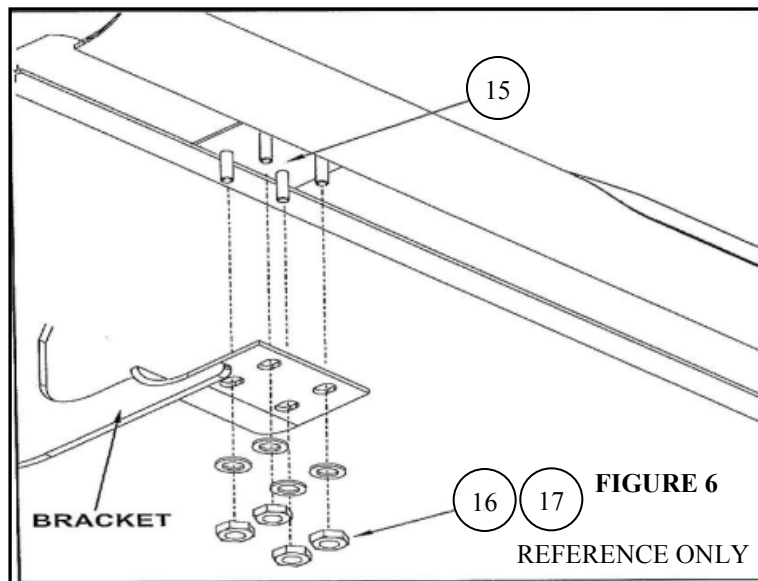
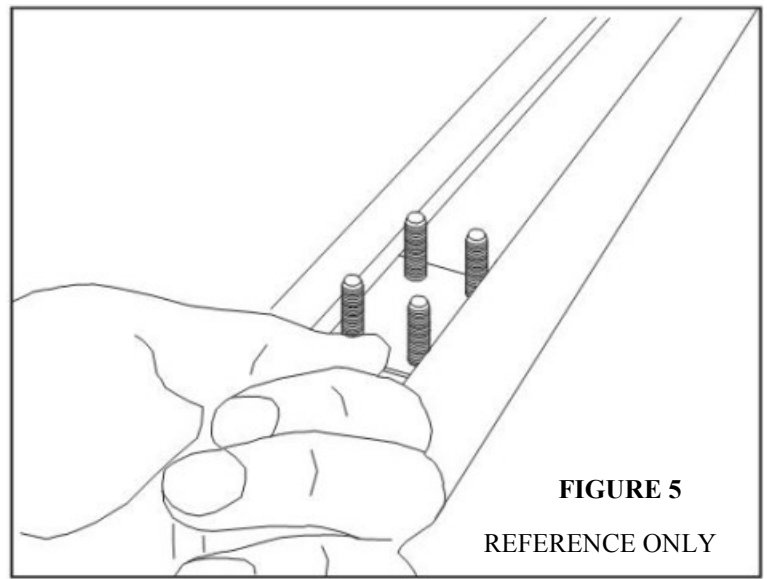
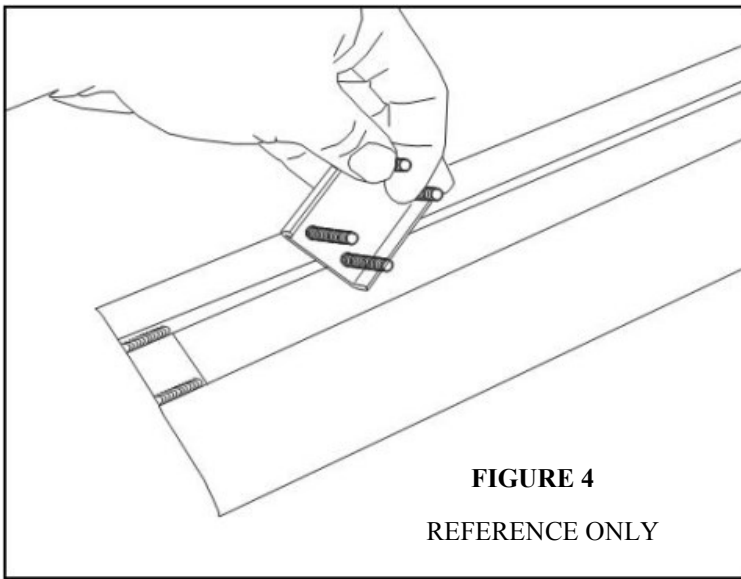
1. Remove contents from box, verify if all parts listed are present and free from damage.
Carefully read and understand all instructions before attempting installation.
Failure to identify damage before installation could lead to a rejection of any claim.
2. Locate front passenger mount holes (one slot and one hole) on cross member located in front of front body mount. Insert mount plate assembly into slot so that holes of the mount plate align with the holes on the vehicle.
NOTE: High side of mount plate assembly should face up. See **FIGURES 1 & 2.**
3. Attach front passenger bracket to vehicle using 3/8" fasteners as shown. Leave loose. See **FIGURE 2.**
4. Locate rear passenger mount holes on backside of rocker. Position rear passenger mount plate against inside surface of rocker panel through opening on the bottom of the rocker panel and align mounting holes. Place two 3/8-16 x 1.50" hex head bolts with 3/8" flat washers through the mount holes. Position the rear passenger mount bracket over the 3/8" fasteners and secure with two 3/8" flat washers, 3/8" lock washers, and 3/8-16 hex nuts. The rocker panel will be sandwiched between the rear mount plate and the rear mount bracket. See **FIGURE 3.**
5. Slide mount adapter plates on step bar as shown. Place step bar on saddle with long pad forward and end cap screw facing inward. Assemble with M6 hardware. See **FIGURES 4, 5, & 6.** Reference installation sheet, 75-0820, Oval Tube Mount Adapter Kit.
6. Make sure step bar and brackets are properly aligned with vehicle and tighten fasteners. Recommended torque values are 26 FT.LBS. for 3/8" fasteners, 7 FT.LBS. for 1/4" fasteners.
7. Repeat for drivers side.



Westin Automotive Products, Inc.
320 W. Covina Blvd
San Dimas, Ca. 91773

Thank you for choosing Westin products
for additional installation assistance please call
Customer Service (800) 793-7846





CARE INSTRUCTIONS

- REGULAR WAXING IS RECOMMENDED. DO NOT USE ANY TYPE OF POLISH OR WAX THAT MAY CONTAIN ABRASIVES.
- STAINLESS STEEL PRODUCTS CAN BE CLEANED WITH MILD SOAP AND WATER. STAINLESS STEEL POLISH SHOULD BE USED TO POLISH SMALL SCRATCHES.
- GLOSS BLACK FINISHES SHOULD BE CLEANED WITH MILD SOAP AND WATER.



Westin Automotive Products, Inc.
320 W. Covina Blvd
San Dimas, Ca. 91773

Thank you for choosing Westin products
for additional installation assistance please call
Customer Service (800) 793-7846
www.westinautomotive.com