



SIGNATURE OF QUALITY

AUTOMOTIVE PRODUCTS, INC.

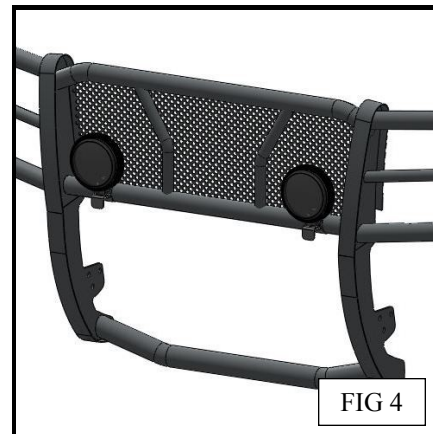
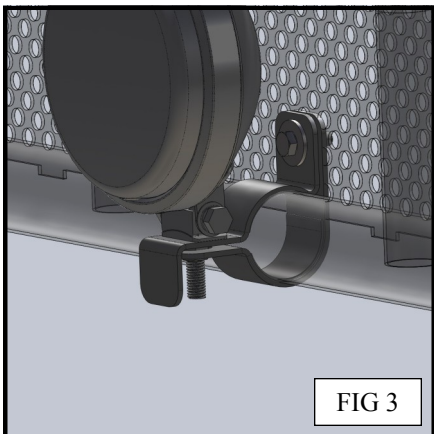
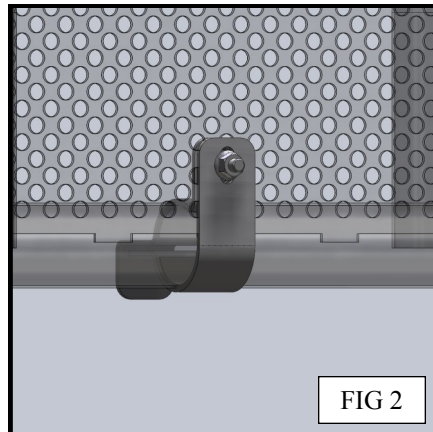
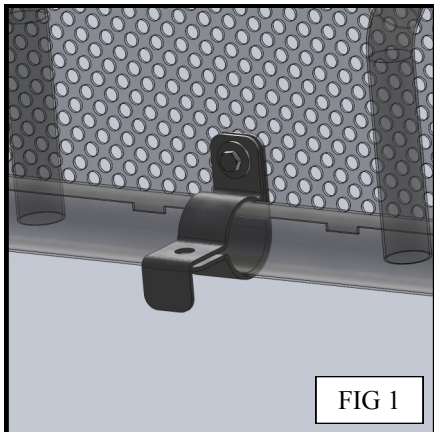
# INSTRUCTIONS—INSTRUCCIONES—CONSIGNES

APPLICATION: HDX GRILLE GUARDS  
APP PART # 57-0000 / 57-0005  
LIGHT MOUNT TAB

ITEM	QUANTITY	DESCRIPTION	TOOLS NEEDED
1	2	CLAMP - TOP	13MM SOCKET
2	2	CLAMP - BOTTOM	13MM WRENCH
3	2	M8 X 25MM LENGTH CAP SCREW	
4	2	M8 FLAT WASHER	
5	2	M8 SERRATED FLANGE NUT	

### ANTI-SEIZE LUBRICANT MUST BE USED ON ALL STAINLESS STEEL FASTENERS TO PREVENT THREAD DAMAGE AND GALLING

1. Remove contents from box, verify if all parts listed are present and free from damage. Carefully read and understand all instructions before attempting installation.
2. This light clamp is attached on the top tab through the grille guard screen. The M8 Fasteners are used to secure the tab to the screen.
3. The clamp can then be tightened using the fastener that comes with the auxiliary lamp.
4. Figure 4 shows a typical installation of the light mounts. Configuration will vary by the grille guard design.



Westin Automotive Products, Inc.  
320 Covina Blvd  
San Dimas, Ca. 91773

Thank You for choosing Westin products  
For Additional installation assistance please call  
Customer service (800) 793-7846  
[www.westinautomotive.com](http://www.westinautomotive.com)