

INSTALLATION INSTRUCTIONS

STEP BOARD MOUNT KIT

WESTIN®

APPLICATION:

1999-2016 Ford F-250/350 Crew Cab

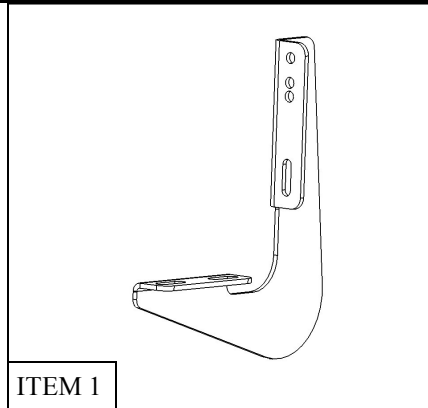
1999-2005 Ford Excursion

PART NUMBER:

27-1215

CONTENT			
ITEM	QUANTITY	DESCRIPTION	TOOLS NEEDED
1	8	MOUNTING BRACKET	13MM SOCKET
2	8	M8 BUTTON HEAD SCREW	13MM WRENCH
3	32	M8 FLAT WASHER (YELLOW ZINC)	RATCHET
4	8	M8 FLAT WASHER (BLACK ZINC)	TORQUE WRENCH
5	8	M8 HEX HEAD CAP SCREW	
6	24	M8 NYLON LOCK NUT	
7	16	M8 SQUARE HEAD BOLT	
8	8	M8 U-CLIP	
9	8	M8 SPLIT LOCK WASHER	

ANTI-SEIZE LUBRICANT MUST BE USED ON ALL STAINLESS STEEL FASTENERS TO PREVENT THREAD DAMAGE AND GALLING

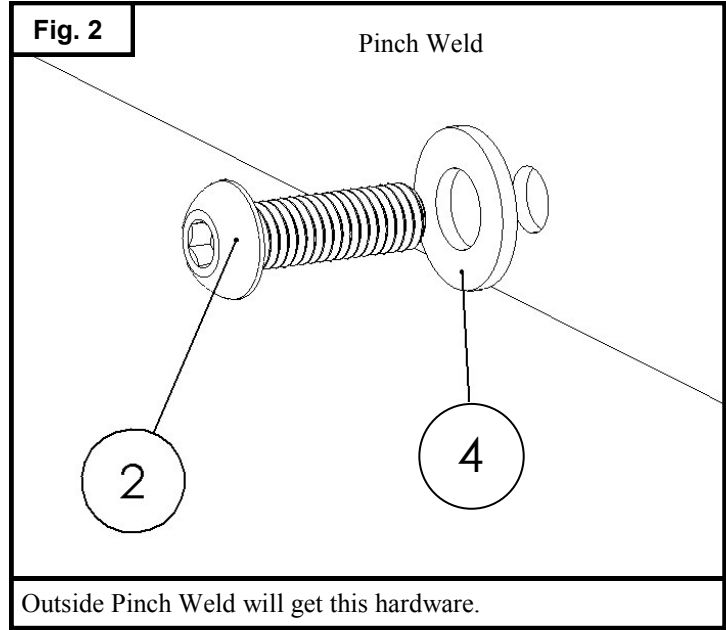
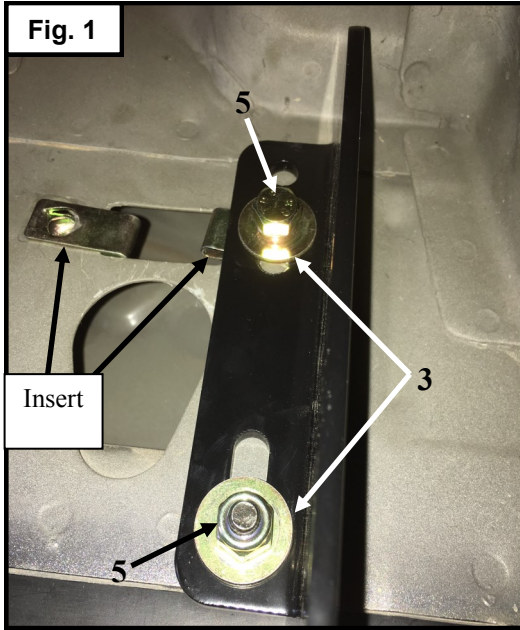


PROCEDURE

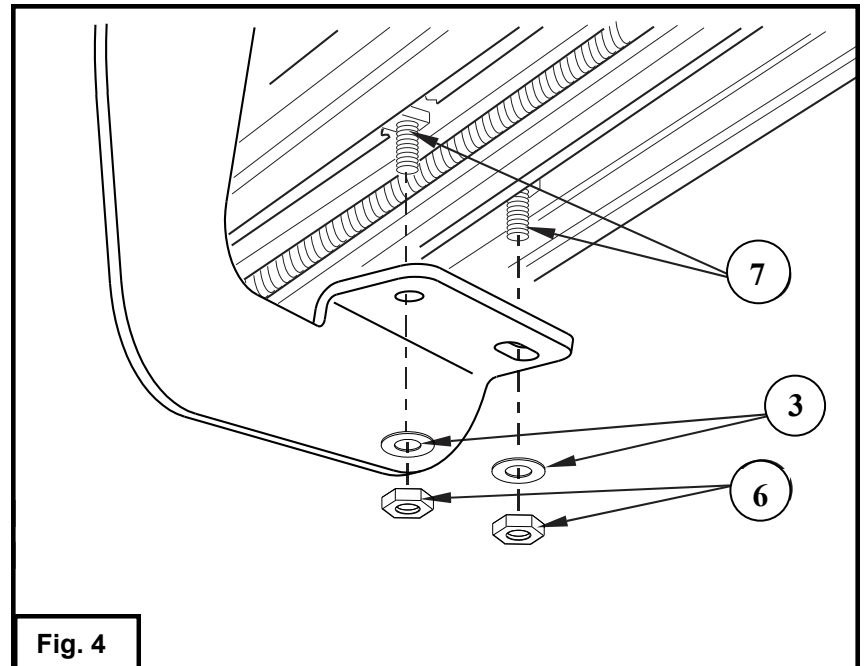
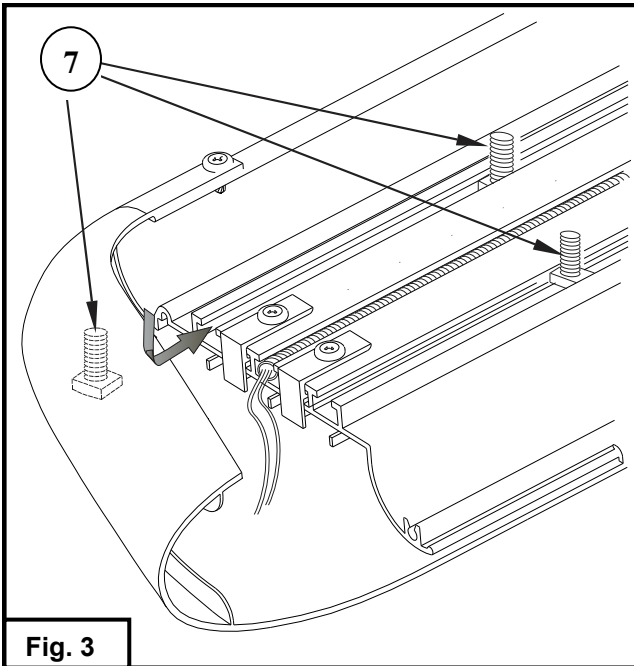
1. Remove contents from box, verify if all parts listed are present and free from damage.
Carefully read and understand all instructions before attempting installation.
Failure to identify damage before installation could lead to a rejection of any claim.

- For each pair of mounting locations, insert one U-Clip (8) as shown in **Figure 1**. **Note: Figure 1** shows a u-clip installed in both possible locations. Install only one u-clip for each mounting location pair.
- Attach the Mounting Brackets (1) using the supplied M8 Button Head Screws (2), Black M8 Flat Washers (4), Yellow M8 Flat Washers (3), and M8 Nylon Lock Nuts (6). See **Figures 1 & 2**.

Note: For each side, there are 5 mounting location pairs. For each pair of mounting locations, shown in **Figure 1**, use only one. Use one bracket on each of the outermost mounting location pairs. The inner 2 brackets can be installed on any of the three remaining mounting location pairs.



- Insert the Square Head Bolts (7) into the running board. See **Figure 3**.
- Use the supplied M8 hardware to attach the board to the Mounting Brackets (1). See **Figure 4**.



INSTALLATION COMPLETE



CARE INSTRUCTIONS

- REGULAR WAXING IS RECOMMENDED. DO NOT USE ANY TYPE OF POLISH OR WAX THAT MAY CONTAIN ABRASIVES.
- STAINLESS STEEL PRODUCTS CAN BE CLEANED WITH MILD SOAP AND WATER. STAINLESS STEEL POLISH SHOULD BE USED TO POLISH SMALL SCRATCHES.
- GLOSS BLACK FINISHES SHOULD BE CLEANED WITH MILD SOAP AND WATER

WESTIN Westin Automotive Products, Inc.
320 W. Covina Blvd
San Dimas, Ca. 91773

Thank you for choosing Westin products
for additional installation assistance please call
Customer Service (800) 793-7846
www.westinautomotive.com



WARNING



Failure to follow these instructions could lead to death, personal injury, and / or property damage.

Failure to follow these instructions could lead to death, personal injury, and / or property damage.

FASTENERS:

All Westin supplied fasteners must be utilized and installed in accordance with the installation instructions and apply torque to the specifications as defined. **DOUBLE CHECK ALL FASTENERS BEFORE INITIAL USE, AND PERIODICALLY IN THE FUTURE TO ENSURE PROPER FUNCTION AND SAFETY.**

DRILLING:

Most Westin products do not require drilling for installation. If drilling is defined as required, use caution when drilling a vehicle. **FAILURE TO REVIEW AN AREA TO BE DRILLED MAY RESULT IN PERSONAL INJURY AND/OR INJURY TO OTHERS AS WELL AS VEHICLE DAMAGE.**

EYE PROTECTION:

ALWAYS WEAR SAFETY GLASSES OR GOGGLES DURING THE INSTALLATION PROCESS TO AVOID PERSONAL INJURY.

MAXIMUM TOWING/CARRYING CAPACITY:

The Westin Receiver Hitches will have a visible tow rating label affixed directly on the product. User should never exceed the vehicle manufacturers maximum tow and weight rating regardless of the capacity of the hitch. **FAILURE TO FOLLOW THESE GUIDELINES WILL VOID THE WESTIN WARRANTY AND MAY RESULT IN PERSONAL INJURY AND/OR INJURY TO OTHERS AS WELL AS VEHICLE DAMAGE.**



Westin Automotive Products, Inc.
320 W. Covina Blvd
San Dimas, Ca. 91773

Thank you for choosing Westin products
for additional installation assistance please call
Customer Service (800) 793-7846
www.westinautomotive.com