

INSTALLATION INSTRUCTIONS

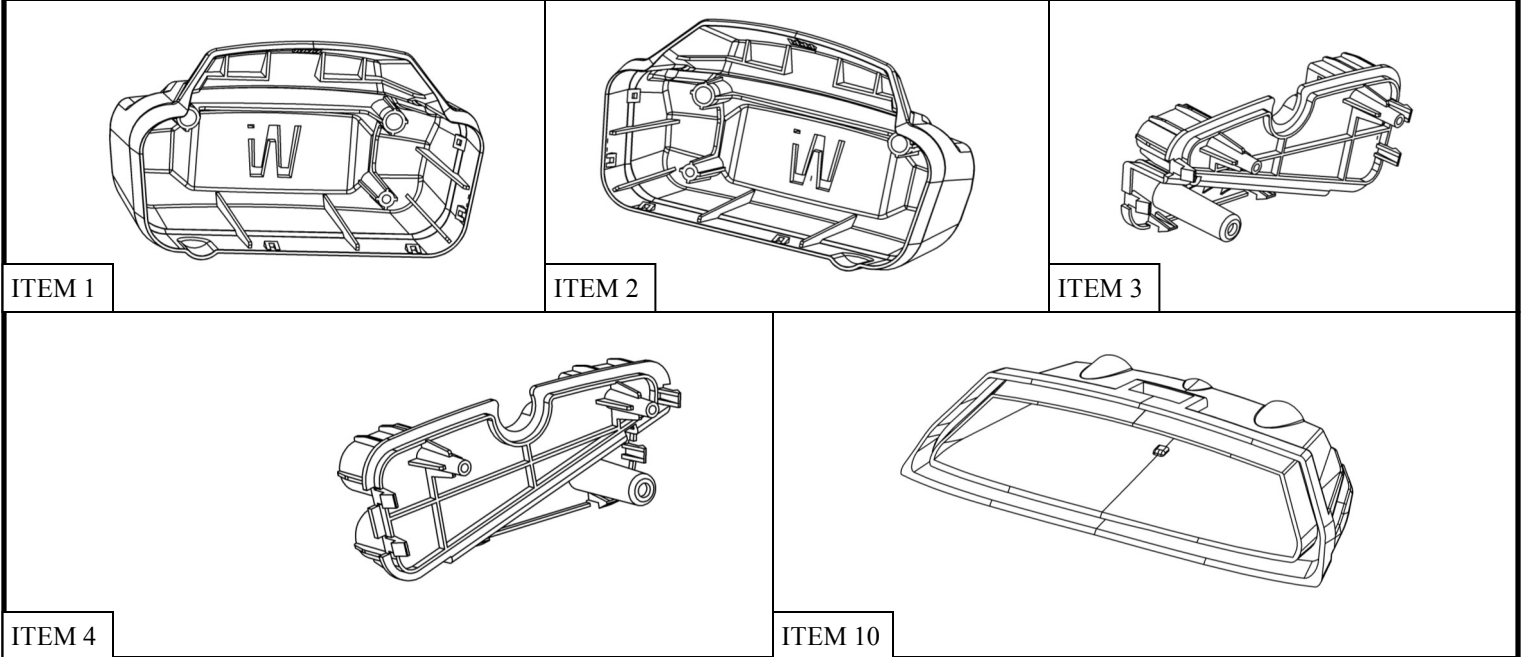
R5 Lighted End Cap Kit



APPLICATION:
R5 Nerf Bars
PART NUMBER:
28-51003

| CONTENT | | | |
|---------|----------|--|-----------------------|
| ITEM | QUANTITY | DESCRIPTION | TOOLS NEEDED |
| 1 | 2 | END CAP DRIVER SIDE FRONT/ PASSENGER SIDE REAR | PHILLIPS SCREW DRIVER |
| 2 | 2 | END CAP DRIVER SIDE REAR/ PASSENGER SIDE FRONT | WIRE CUTTER |
| 3 | 2 | INNER PLASTIC MOUNT DRIVER SIDE FRONT/ PASSENGER SIDE REAR | 10MM WRENCH |
| 4 | 2 | INNER PLASTIC MOUNT DRIVER SIDE REAR/ PASSENGER SIDE FRONT | |
| 5 | 1 | WIRING HARNESS | |
| 6 | 4 | PHILLIPS SCREWS | |
| 7 | 12 | ZIP TIES | |
| 8 | 4 | MAGNETIC SWITCH | |
| 9 | 8 | DOUBLE SIDED TAPE PIECE | |
| 10 | 4 | LED LIGHT | |

ANTI-SEIZE LUBRICANT MUST BE USED ON ALL STAINLESS STEEL FASTENERS TO PREVENT THREAD DAMAGE AND GALLING



CARE INSTRUCTIONS

- REGULAR WAXING IS RECOMMENDED. DO NOT USE ANY TYPE OF POLISH OR WAX THAT MAY CONTAIN ABRASIVES.
- STAINLESS STEEL PRODUCTS CAN BE CLEANED WITH MILD SOAP AND WATER. STAINLESS STEEL POLISH SHOULD BE USED TO POLISH SMALL SCRATCHES.
- GLOSS BLACK FINISHES SHOULD BE CLEANED WITH MILD SOAP AND WATER.

WESTIN Westin Automotive Products, Inc.
320 W. Covina Blvd
San Dimas, Ca. 91773

Thank you for choosing Westin products
for additional installation assistance please call
Customer Service (800) 793-7846

PROCEDURE

1. Remove contents from box, verify if all parts listed are present and free from damage.
Carefully read and understand all instructions before attempting installation.
Failure to identify damage before installation could lead to a rejection of any claim.

UNLIGHTED END CAP REMOVAL

2. If an unlighted end cap is already installed, remove it by unscrewing the two Phillips head screws on the underside of the step bar. Use **Figure 3** for reference.
3. Carefully remove the end cap from the step bar.

LIGHTED END CAP INSTALLATION

4. For aluminum model step boards only, a hole needs to be drilled at approximately one inch in diameter to pass the wiring and connector through. See **Figure 1**.
5. Obtain the Inner Plastic Mount (3-4). Press it into the end of the step board. See **Figure 2**.



Fig 1

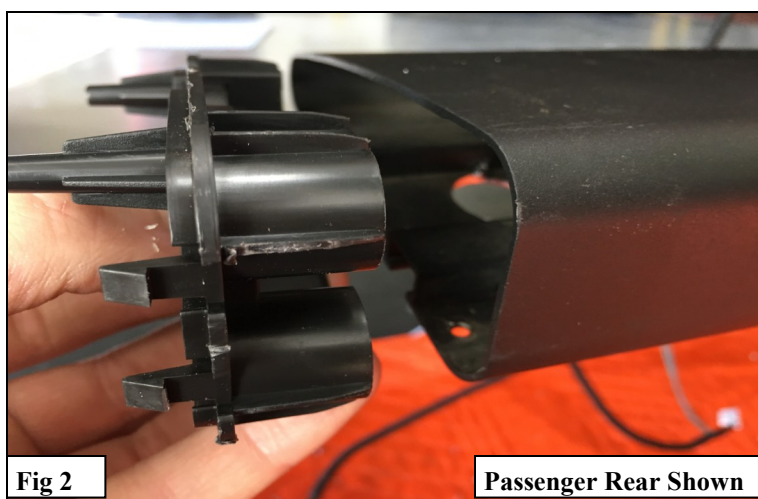


Fig 2

Passenger Rear Shown

6. Using the supplied Phillips Screws (6), secure the Inner Plastic Mount (3-4) to the step board. See **Figure 3**.

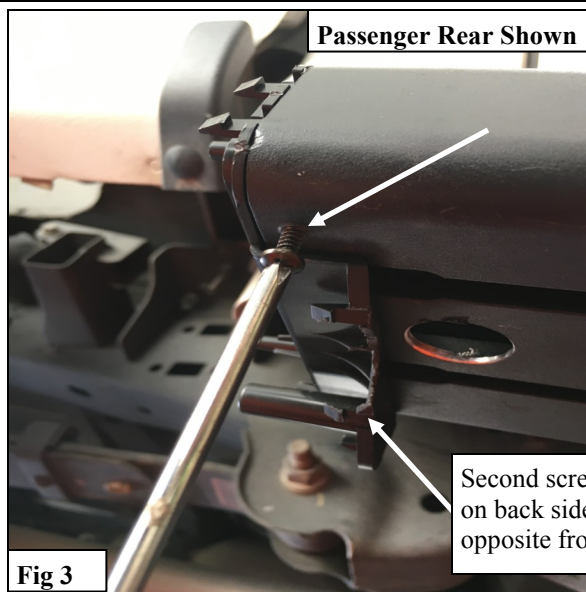


Fig 3

Second screw hole is located on back side of step board opposite from the one shown.

WESTIN

Westin Automotive Products, Inc.
320 W. Covina Blvd
San Dimas, Ca. 91773

7. Insert the LED Light (10) into the End Cap (1-2). This should be a press-in fit. **See Figure 4.**
8. Connect the Wiring Harness (5) to the LED Light (10) and run the excess wire through the hole drilled in **Step 1** (aluminum models) or through the bottom of the step bar (stainless steel models). **See Figure 4.**



Fig 4

Passenger Rear Shown

9. Press the End Cap Assembly onto the Inner Plastic Mount (3-4). This should be a press-in fit. **See Figure 5.** *Note– make sure the tabs on the End Cap (1-2) line up with the tabs on the Inner Plastic Mount (3-4).*

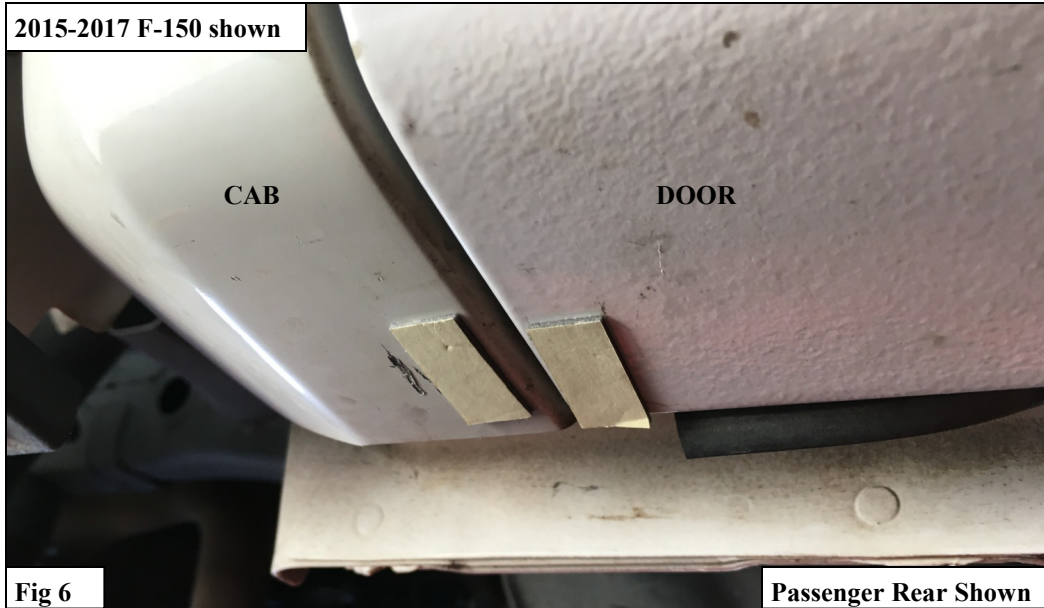


Fig 5

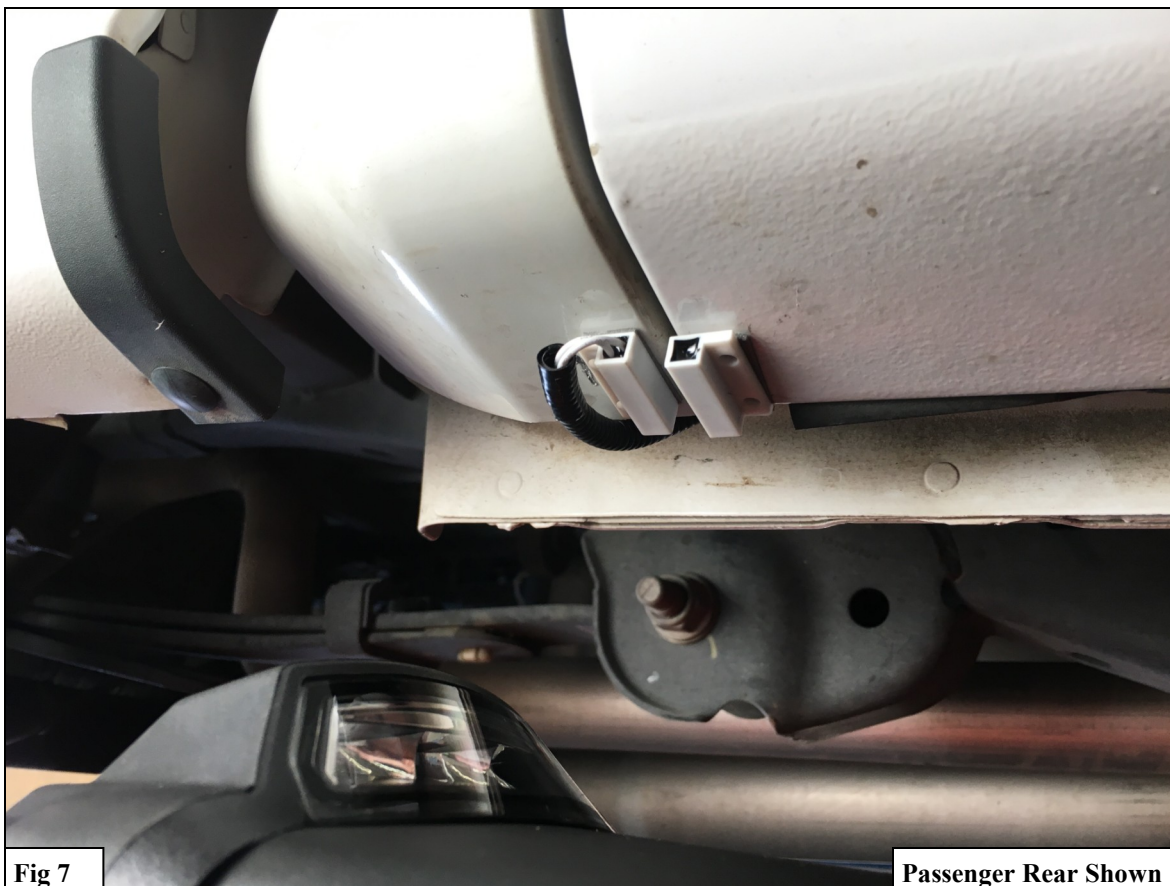
Passenger Rear Shown

10. Locate a spot on the door and the cab of the truck to mount the magnetic switches. **The switches must line up and cannot be more than 2 cm apart.**

11. Once a location is found, place the Double Sided Tape (9) as shown in **Figure 6**.



12. Place the magnetic switches on the double sided tape. *Note– it is extremely important that the switches face each other. They will not work if positioned incorrectly. See Figure 7.*



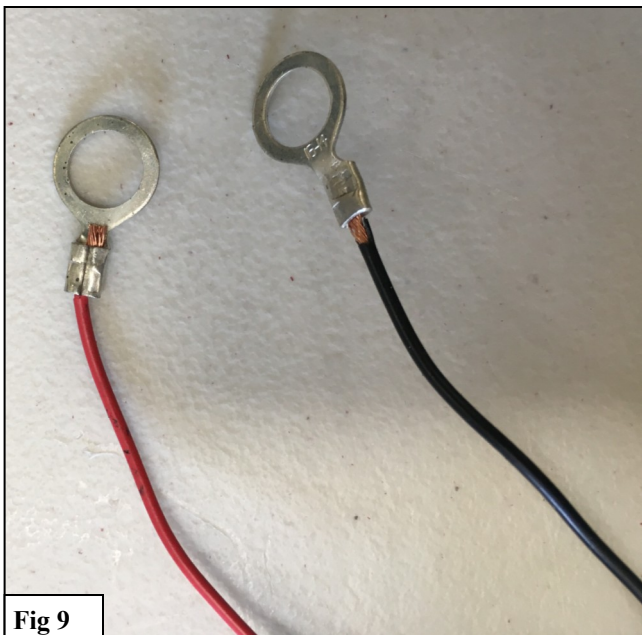
13. Run the wiring harness to the engine compartment. Use Zip-Ties (7) as needed to secure slack wiring. See Figure 8.



14. Be sure to disconnect the battery prior to connecting the wiring harness.

15. Connect the Red Ring Connector to the positive terminal on the battery and the Black Ring Connector to the negative terminal. See Figures 9 and 10.

16. Reconnect the battery.



INSTALLATION COMPLETE



CARE INSTRUCTIONS

- REGULAR WAXING IS RECOMMENDED. DO NOT USE ANY TYPE OF POLISH OR WAX THAT MAY CONTAIN ABRASIVES
- STAINLESS STEEL PRODUCTS CAN BE CLEANED WITH MILD SOAP AND WATER. STAINLESS STEEL POLISH SHOULD BE USED TO POLISH SMALL SCRATCHES.
- GLOSS BLACK FINISHES SHOULD BE CLEANED WITH MILD SOAP AND WATER

WESTIN Westin Automotive Products, Inc.
320 W. Covina Blvd
San Dimas, Ca. 91773

Thank you for choosing Westin products
for additional installation assistance please call
Customer Service (800) 793-7846
www.westinautomotive.com



WARNING



Failure to follow these instructions could lead to death, personal injury, and / or property damage.

Failure to follow these instructions could lead to death, personal injury, and / or property damage.

FASTENERS:

All Westin supplied fasteners must be utilized and installed in accordance with the installation instructions and apply torque to the specifications as defined. **DOUBLE CHECK ALL FASTENERS BEFORE INITIAL USE, AND PERIODICALLY IN THE FUTURE TO ENSURE PROPER FUNCTION AND SAFETY.**

DRILLING:

Most Westin products do not require drilling for installation. If drilling is defined as required, use caution when drilling a vehicle. **FAILURE TO REVIEW AN AREA TO BE DRILLED MAY RESULT IN PERSONAL INJURY AND/OR INJURY TO OTHERS AS WELL AS VEHICLE DAMAGE.**

EYE PROTECTION:

ALWAYS WEAR SAFETY GLASSES OR GOGGLES DURING THE INSTALLATION PROCESS TO AVOID PERSONAL INJURY.

MAXIMUM TOWING/CARRYING CAPACITY:

The Westin Receiver Hitches will have a visible tow rating label affixed directly on the product. User should never exceed the vehicle manufacturers maximum tow and weight rating regardless of the capacity of the hitch. **FAILURE TO FOLLOW THESE GUIDELINES WILL VOID THE WESTIN WARRANTY AND MAY RESULT IN PERSONAL INJURY AND/OR INJURY TO OTHERS AS WELL AS VEHICLE DAMAGE.**