



AUTOMOTIVE PRODUCTS,

INSTALLATION INSTRUCTIONS

HDX AND SPORTSMAN GRILLE GUARD

APPLICATION:

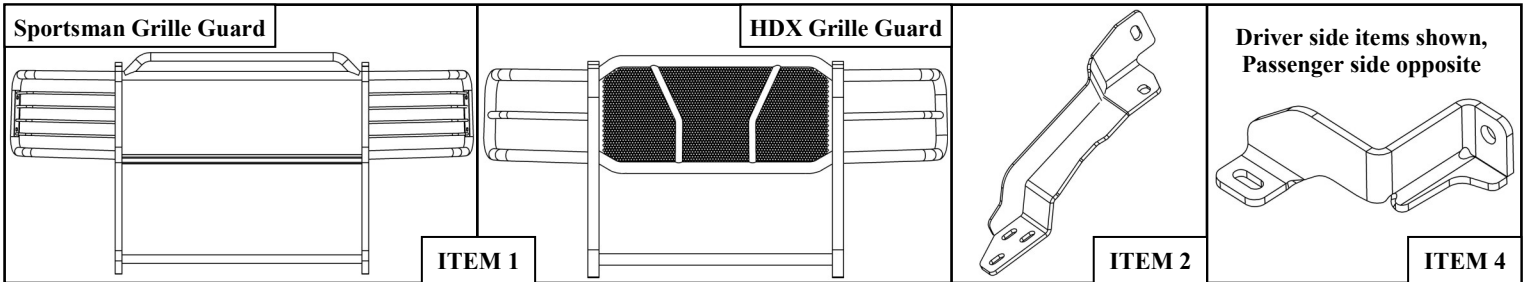
2015-2017 Chevrolet Silverado 2500/3500

PART NUMBER:

45-3780, 40-3785, 57-3780, 57-3785

ITEM	QUANTITY	DESCRIPTION	TOOLS NEEDED
1	1	GRILLE GUARD	SCREWDRIVER
2,3	2	LOWER MOUNTING BRACKETS, DRIVER (2) AND PASSENGER (3)	15MM WRENCH
4,5	2	SUPPORT STRAPS, DRIVER (4) AND PASSENGER (5)	15MM SOCKET
6	4	M12 FLANGE BOLT	ALLEN WRENCH
7	4	M12 FLANGE NUT	18MM WRENCH
8	8	M10 STAINLESS BUTTON HEAD BOLT	18MM SOCKET
9	8	M10 STAINLESS CUPPED WASHER	10MM SOCKET
10	8	M10 STAINLESS FLANGE NUT	16MM SOCKET
			16MM WRENCH
			RATCHET EXT.
			RATCHET
			TORQUE WRENCH

ANTI-SEIZE LUBRICANT MUST BE USED ON ALL STAINLESS STEEL FASTENERS TO PREVENT THREAD DAMAGE AND GALLING



PROCEDURE

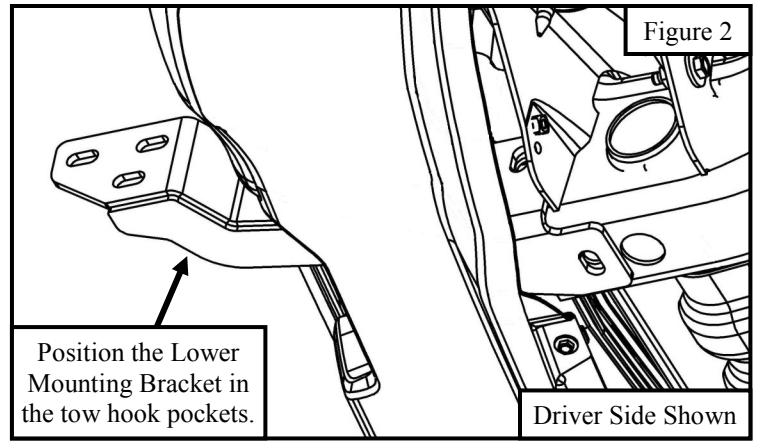
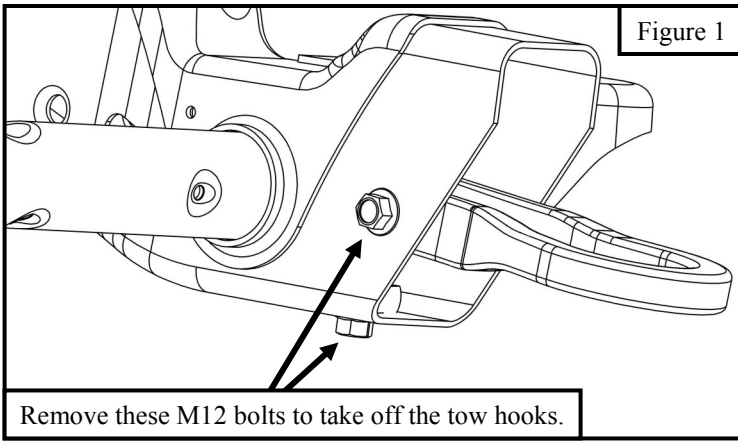
- Remove contents from box, verify if all parts listed are present and free from damage. Carefully read and understand all instructions before attempting installation.
Failure to identify damage before installation could lead to a rejection of any claim.
- Remove the factory tow hooks (if equipped). They can be re-used with this kit if desired. Refer to **Figure 1**.
- Slip the Lower Mounting Brackets through the tow hook pockets one side at a time. Position them as shown in **Figure 2**.
Note: Install the brackets on the outside of the frame.
- Insert the factory tow hooks back into their original locations. **Note:** Skip this step if tow hooks are not available or desired.

CARE INSTRUCTIONS

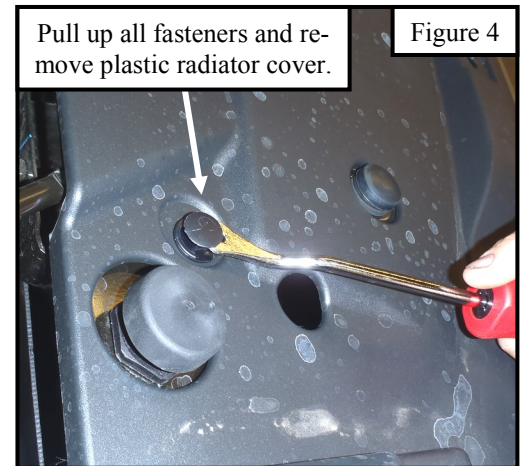
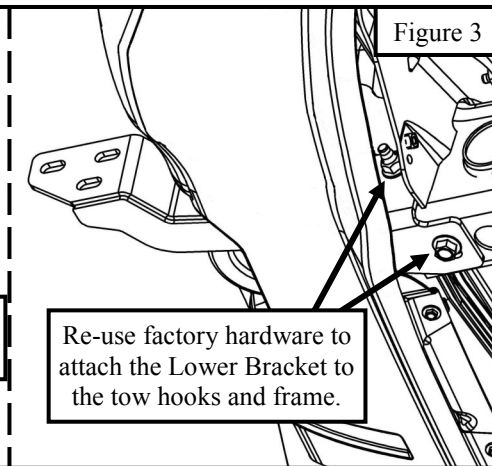
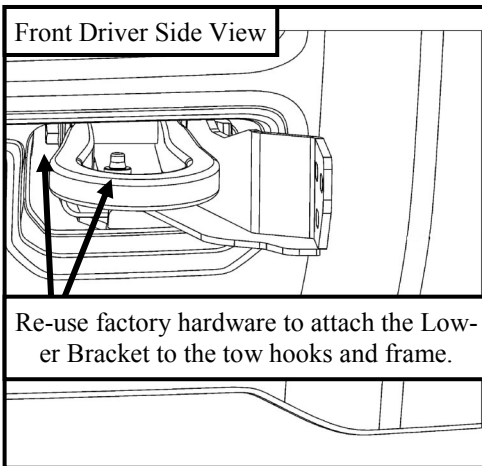
- REGULAR WAXING IS RECOMMENDED. DO NOT USE ANY TYPE OF POLISH OR WAX THAT MAY CONTAIN ABRASIVES.
- STAINLESS STEEL PRODUCTS CAN BE CLEANED WITH MILD SOAP AND WATER. STAINLESS STEEL POLISH SHOULD BE USED TO POLISH SMALL SCRATCHES.
- GLOSS BLACK FINISHES SHOULD BE CLEANED WITH MILD SOAP AND WATER.



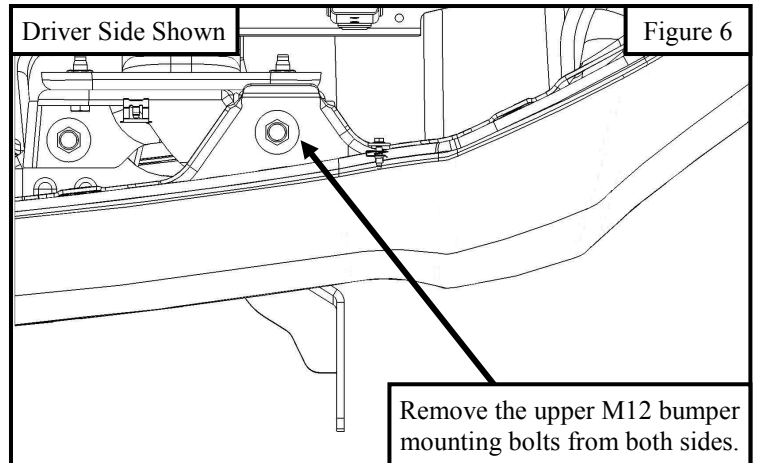
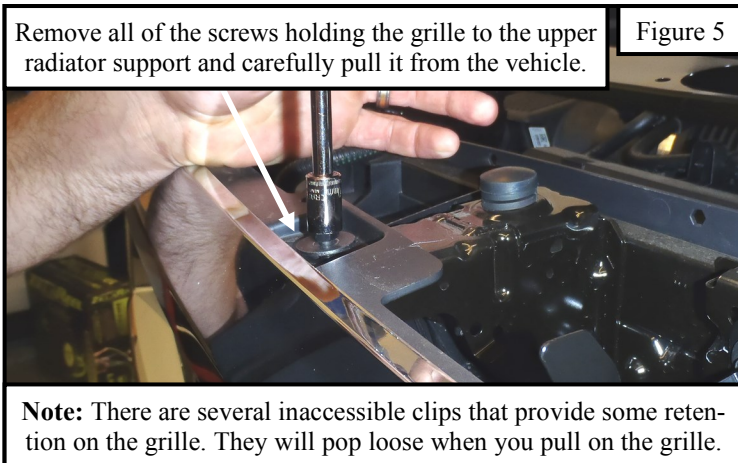
Westin Automotive Products, Inc.
320 W. Covina Blvd
San Dimas, Ca. 91773



5. Loosely attach the Lower Mounting Brackets to the vehicle's frame and tow hooks using the factory hardware as shown in **Figure 3**. **Note:** If the tow hooks are not being used then use the supplied M12 Flange Bolts and Nuts instead.
6. Remove the vehicle's radiator cover as shown in **Figure 4**.



7. Remove the vehicle's grille as shown in **Figure 5**.
8. Remove the upper factory bumper bolts as shown in **Figure 6**.



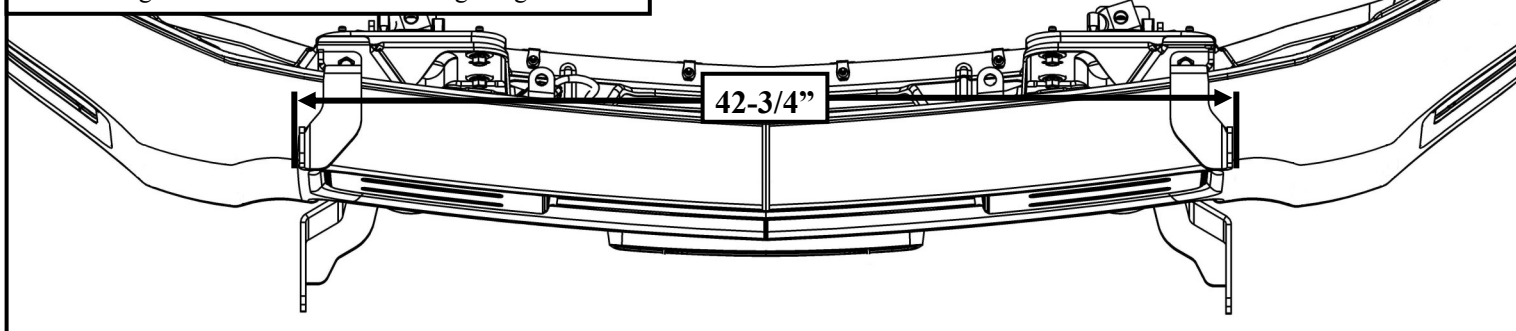
9. Loosely attach the Support Straps to the locations where the bumper bolts were previously removed using the factory hardware.

10. Center the support straps, adjust them to 42-3/4" from outer flange to outer flange and torque them to 50-55 ft-lbs. Refer to **Figure 7**.

11. Reinstall the vehicle's grille and radiator cover the reverse order that they were removed. **Note:** The bottom of the grille may need to be squeezed past the Support Straps.

Install Support Straps. Center them, space them to 42-3/4" and tighten them before re-installing the grille.

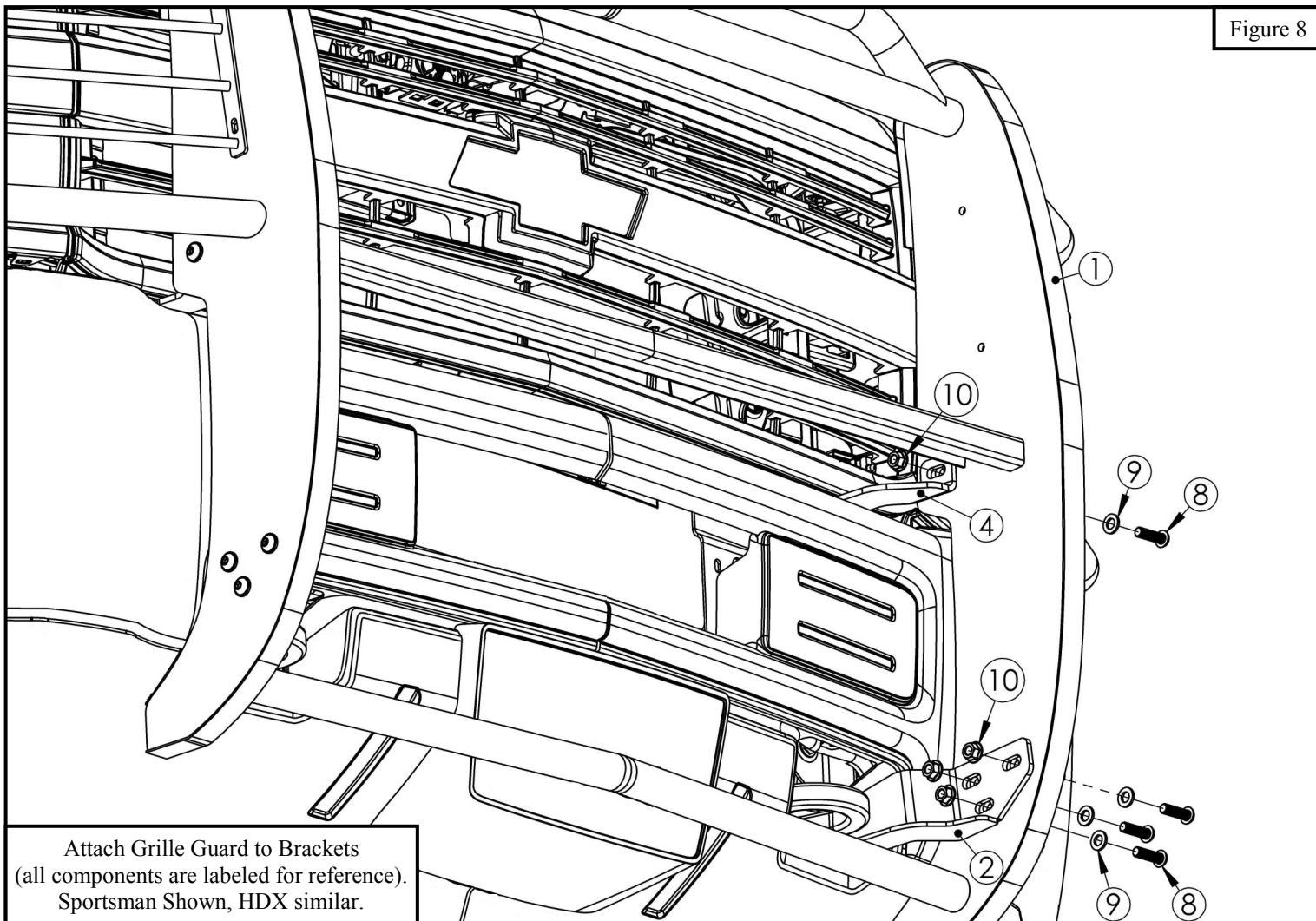
Figure 7



12. With assistance loosely install the Grille Guard using the provided M10 hardware as shown in **Figure 8**.

13. Align and adjust the Grille Guard as necessary, then tighten and torque all remaining hardware: M10 to 30-35 ft-lbs and M12 to 50-55 ft-lbs.

Figure 8



Attach Grille Guard to Brackets (all components are labeled for reference). Sportsman Shown, HDX similar.



Westin Automotive Products, Inc.
320 W. Covina Blvd
San Dimas, Ca. 91773

Thank you for choosing Westin products
for additional installation assistance please call
Customer Service (800) 793-7846

INSTALLATION COMPLETE - SPORTSMAN GRILLE GUARD



INSTALLATION COMPLETE - HDX GRILLE GUARD



Westin Automotive Products, Inc.
320 W. Covina Blvd
San Dimas, Ca. 91773

Thank you for choosing Westin products
for additional installation assistance please call
Customer Service (800) 793-7846
www.westinautomotive.com

Westin

SIGNATURE OF QUALITY

AUTOMOTIVE PRODUCTS, INC.



WARNING



Failure to follow these instructions could lead to death, personal injury, and / or property damage.

FASTENERS:

All Westin supplied fasteners must be utilized and installed in accordance with the installation instructions and apply torque to the specifications as defined. **DOUBLE CHECK ALL FASTENERS BEFORE INITIAL USE, AND PERIODICALLY IN THE FUTURE TO ENSURE PROPER FUNCTION AND SAFETY.**

DRILLING:

Most Westin products do not require drilling for installation. If drilling is defined as required, use caution when drilling a vehicle. **FAILURE TO REVIEW AN AREA TO BE DRILLED MAY RESULT IN PERSONAL INJURY AND/OR INJURY TO OTHERS AS WELL AS VEHICLE DAMAGE.**

EYE PROTECTION:

ALWAYS WEAR SAFETY GLASSES OR GOGGLES DURING THE INSTALLATION PROCESS TO AVOID PERSONAL INJURY.

MAXIMUM TOWING/CARRYING CAPACITY:

The Westin Receiver Hitches will have a visible tow rating label affixed directly on the product. User should never exceed the vehicle manufacturers maximum tow and weight rating regardless of the capacity of the hitch. **FAILURE TO FOLLOW THESE GUIDELINES WILL VOID THE WESTIN WARRANTY AND MAY RESULT IN PERSONAL INJURY AND/OR INJURY TO OTHERS AS WELL AS VEHICLE DAMAGE.**

Westin
SIGNATURE OF QUALITY

Westin Automotive Products, Inc.
320 W. Covina Blvd
San Dimas, Ca. 91773