



SIGNATURE OF QUALITY

AUTOMOTIVE PRODUCTS, INC.

# INSTRUCTIONS—INSTRUCCIONES—CONSIGNES

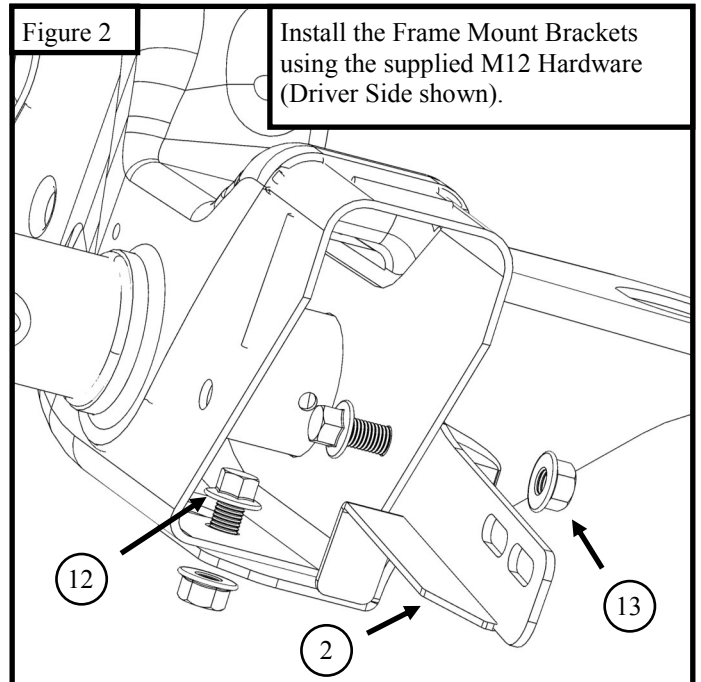
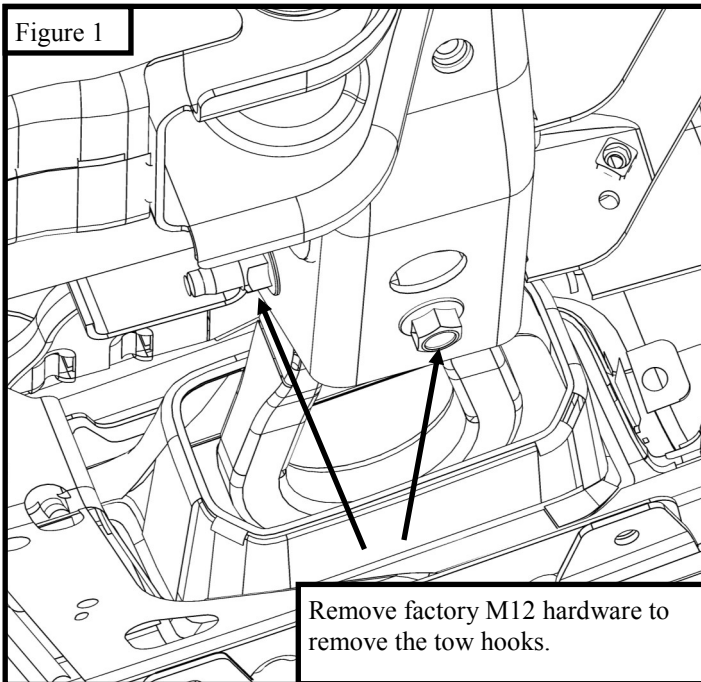
APPLICATION: E-SERIES BULL BAR—2015 CHEVY/GMC SILVERADO/SIERRA  
2500/3500 HD

APPLICATION PART # 31-5630

ITEM	QUANTITY	DESCRIPTION	TOOLS NEEDED
1	1	BULL BAR & SKIDPLATE ASSEMBLY	RATCHET
2,3	2	FRAME MOUNTING BRACKETS (DRV & PASS)	14MM WRENCH
4,5	2	BULL BAR MOUNTING BRACKETS (DRV & PASS)	15MM SOCKET
6	4	M10 FLANGE NUT (PLAIN STAINLESS)	18MM SOCKET
7	4	M10 CUPPED WASHER (PLAIN STAINLESS)	18MM WRENCH
8	4	M10 BUTTON HEAD BOLT (PLAIN STAINLESS)	ALLEN WRENCH
9	4	M10 FLANGE NUT (BLACK PLATED STAINLESS)	
10	4	M10 CUPPED WASHER (BLACK PLATED STAINLESS)	
11	4	M10 HEX HEAD BOLT (BLACK PLATED STAINLESS)	
12	4	M12 FLANGE NUT (YELLOW ZINC PLATED)	
13	4	M12 FLANGE BOLT (YELLOW ZINC PLATED)	

### ANTI-SEIZE LUBRICANT MUST BE USED ON ALL STAINLESS STEEL FASTENERS TO PREVENT THREAD DAMAGE AND GALLING

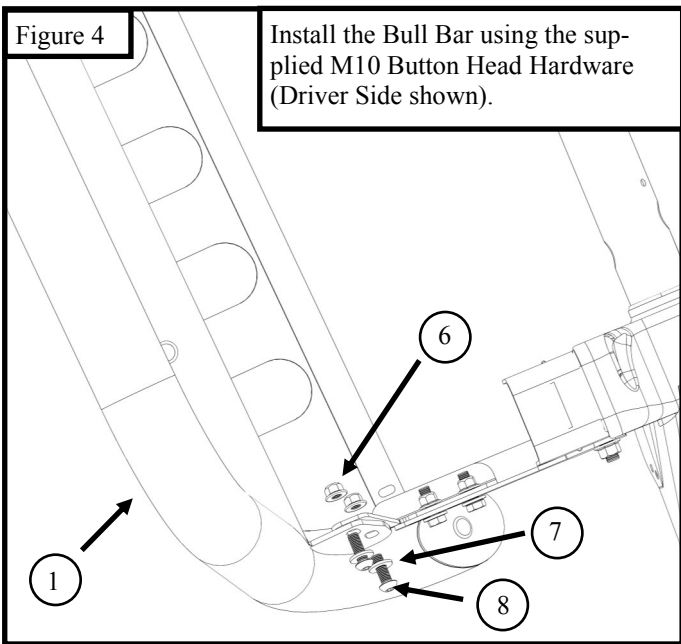
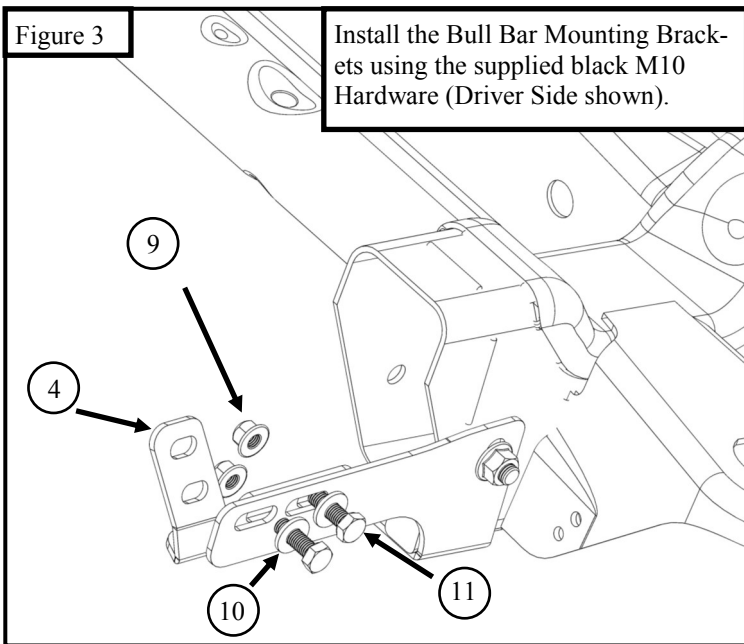
1. Remove contents from box, verify if all parts listed are present and free from damage. Carefully read and understand all instructions before attempting installation. *Note: Installation may interfere with optional front parking sensors.*
2. Remove the vehicle's factory tow hooks (refer to Figure 1). They cannot be re-used.
3. Install the Frame Mounting Brackets using the supplied M12 Flange Bolts and Nuts as shown in Figure 2. *Note: For the GMC Sierra the brackets will need to be slipped in from behind the bumper. Once the brackets are satisfactorily in position tighten the hardware to 50-55 ft-lbs.*



Westin Automotive Products, Inc.  
320 Covina Blvd  
San Dimas, Ca. 91773

Thank You for choosing Westin products  
For Additional installation assistance please call  
Customer service (800) 793-7846

4. Loosely install the Bull Bar Mounting Brackets to the Frame Mounting Brackets using the supplied Black Plated M10 Hardware (Refer to Figure 3).
5. Loosely install the Bull Bar to the Bull Bar Mounting Brackets using the supplied Stainless M10 Button Head hardware (Refer to Figure 4).
6. Align and adjust the Bull Bar as necessary, then tighten and torque M10 hardware to 30-35 ft-lbs. Note: For GMC vehicles the Bull Bar generally mounts best with the brackets furthest forward. For Chevy vehicles pushing the brackets furthest rearward is suggested.
7. If the Bull Bar adversely impedes the visibility of the front license plate, then Westin P/N 32-0055 "License Plate Relocator" may be purchased separately.



**CARE INSTRUCTIONS:**

- REGULAR WAXING IS RECOMMENDED. DO NOT USE ANY TYPE OF POLISH OR WAX THAT MAY CONTAIN ABRASIVES.
- STAINLESS STEEL PRODUCTS CAN BE CLEANED WITH MILD SOAP AND WATER. STAINLESS STEEL POLISH SHOULD BE USED TO POLISH SMALL SCRATCHES.
- GLOSS BLACK FINISHES SHOULD BE CLEANED WITH MILD SOAP AND WATER.



Westin Automotive Products, Inc.  
320 Covina Blvd  
San Dimas, Ca. 91773

Thank You for choosing Westin products  
For Additional installation assistance please call  
Customer service (800) 793-7846  
www.westinautomotive.com