



# INSTALLATION INSTRUCTIONS

## OVAL STEP BAR MOUNT KIT

AUTOMOTIVE PROD-

### APPLICATION:

2015 - 2017 Ford F-150 Super Crew / Super Cab / Regular Cab  
2017 Ford F-250/350 Super Cab / Crew Cab / Super Duty Regular Cab

### PART NUMBER:

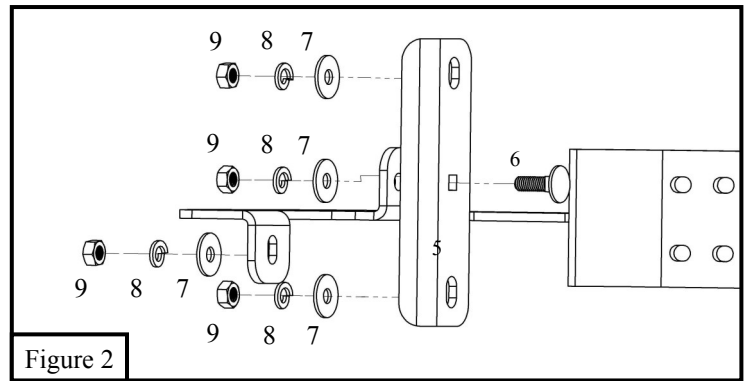
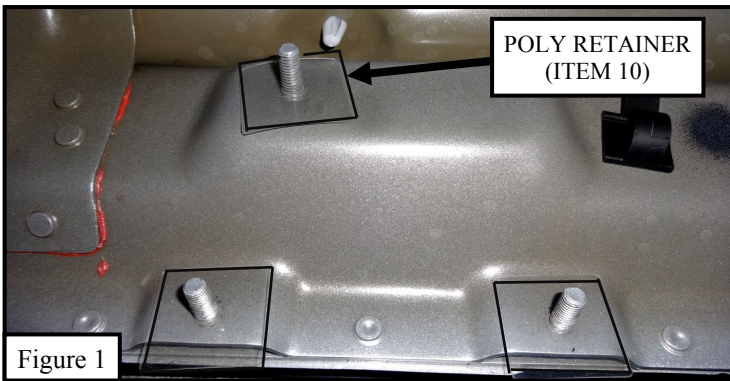
22-2055

ITEM	QUANTITY	DESCRIPTION	TOOLS NEEDED
1,2	2	STEP BAR, DRIVER (1) AND PASSENGER (2) (SOLD SEPARATELY)	13MM SOCKET
3	2	MOUNTING BRACKET A	13MM WRENCH
4	2	MOUNTING BRACKET B	10MM SOCKET
5	4	UNIVERSAL BRACKET	10MM WRENCH
6	4	M8 CARRIAGE BOLT	RATCHET EXTENSION
7	16	M8 FLAT WASHER	RATCHET
8	16	M8 LOCK WASHER	TORQUE WRENCH
9	16	M8 HEX NUT	
10	12	POLY RETAINER	
11	4	M6 BOLT PLATES (INCLUDED WITH STEP BARS)	
12	16	M6 FLAT WASHERS (INCLUDED WITH STEP BARS)	
13	16	M6 NYLOCK NUTS (INCLUDED WITH STEP BARS)	

**ANTI-SEIZE LUBRICANT MUST BE USED ON ALL STAINLESS STEEL FASTENERS TO PREVENT THREAD DAMAGE AND GALLING**

### PROCEDURE

1. Remove contents from box, verify if all parts listed are present and free from damage. Carefully read and understand all instructions before attempting installation.  
**Failure to identify damage before installation could lead to a rejection of any claim.**
2. Locate two mount locations at the end of each side of the rocker panel. See **Figure 1**.
3. Place 1 poly retainer (Item 10) on each threaded stud. See **Figure 1**. **Important: Poly retainer must be used to insulate and prevent the contact between bracket (made of steel) and rocker panel (made of aluminum). Contact between these two materials creates corrosion.**
4. Mount (1) Universal Bracket (Item 5) on Mounting Bracket A (Item 3) and Bracket B (Item 4). See **Figures 2 and 4**. Using the hardware on **Figure 2**.



5. Install mounting brackets at the rocker panel (**Figure 3**) using the hardware on **Figure 2**. And follow **Figure 4** for placement brackets order. *Do not fully tighten at this time.*
6. Identify driver and passenger side step bars. And install bolt plates (Item 11) to the underside of the step bars. **See Figures 5 and 6.**
7. Take the drivers side step bar and place it onto the mounting bracket cradles; align the bolt plates (Item 11 with the mounting holes in the brackets and attach using (8) M6 hex lock nuts (Item 13), and (8) M6 flat washers (Item 12). **See Figure 7.** *Do not fully tighten at this time.*
8. Align and adjust the tube steps as needed then fully tighten all hardware at this time: M8 hardware 15-18 ft-lbs and M6 hardware 6-7 ft-lbs.
9. Repeat steps 4 - 8 for the passenger side.

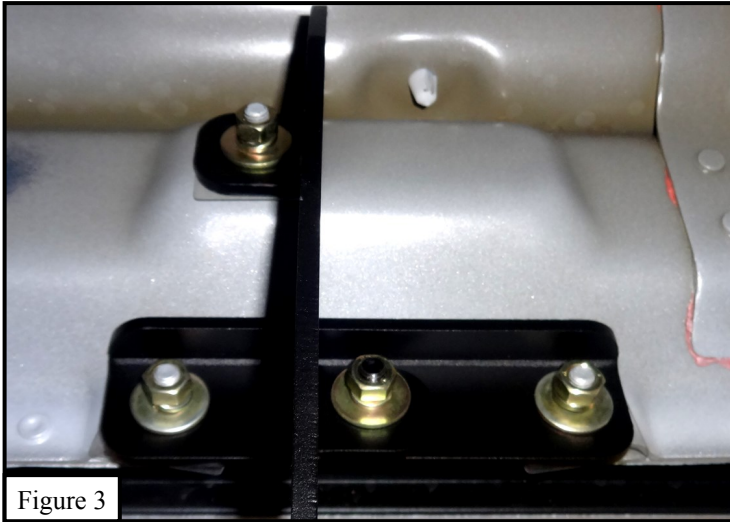


Figure 3

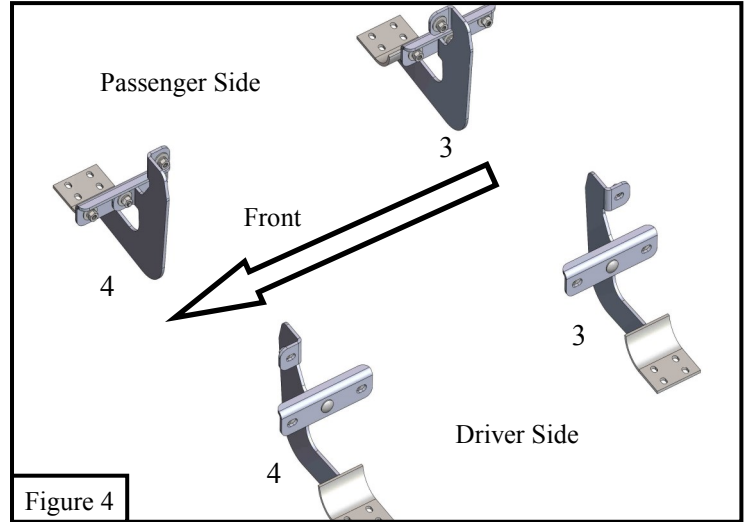


Figure 4

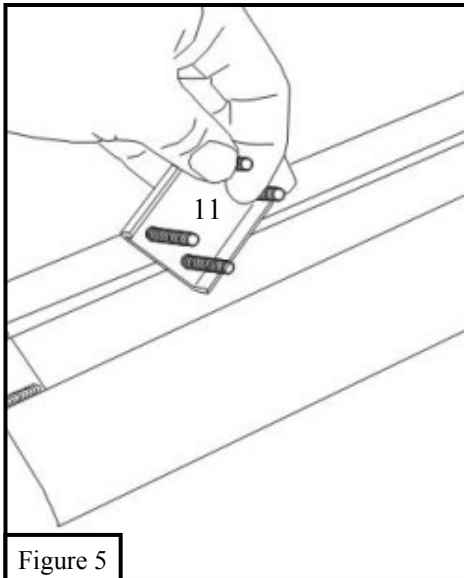


Figure 5

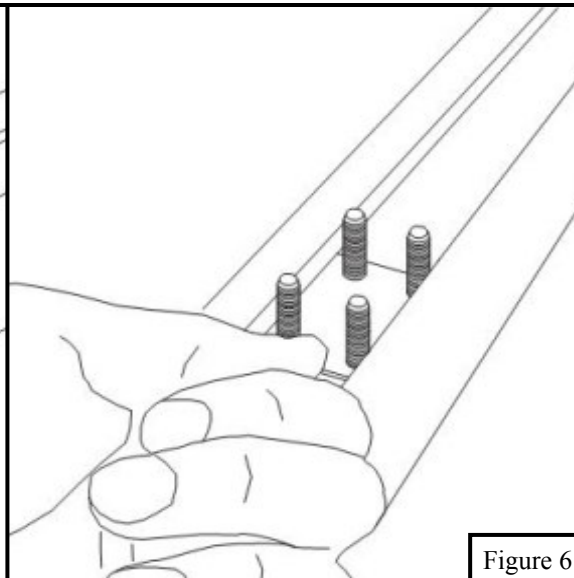


Figure 6

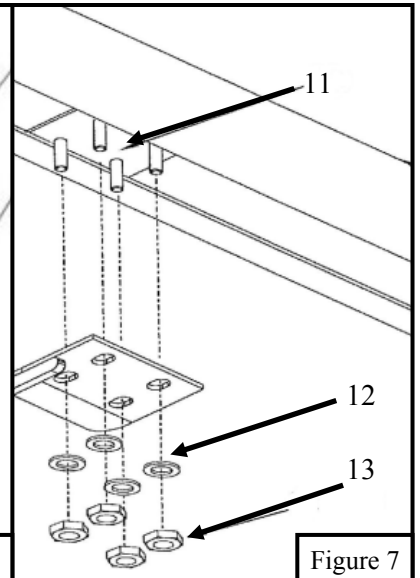


Figure 7



Westin Automotive Products, Inc.  
320 W. Covina Blvd  
San Dimas, Ca. 91773

Thank you for choosing Westin products  
for additional installation assistance please call  
Customer Service (800) 793-7846  
www.westinautomotive.com

INSTALLATION COMPLETE



**CARE INSTRUCTIONS**

- REGULAR WAXING IS RECOMMENDED. DO NOT USE ANY TYPE OF POLISH OR WAX THAT MAY CONTAIN ABRASIVES.
- STAINLESS STEEL PRODUCTS CAN BE CLEANED WITH MILD SOAP AND WATER. STAINLESS STEEL POLISH SHOULD BE USED TO POLISH SMALL SCRATCHES.
- GLOSS BLACK FINISHES SHOULD BE CLEANED WITH MILD SOAP AND WATER.



Westin Automotive Products, Inc.  
320 W. Covina Blvd  
San Dimas, Ca. 91773

Thank you for choosing Westin products  
for additional installation assistance please call  
Customer Service (800) 793-7846  
[www.westinautomotive.com](http://www.westinautomotive.com)

# Westin

SIGNATURE OF QUALITY

AUTOMOTIVE PRODUCTS, INC.



## WARNING



Failure to follow these instructions could lead to death, personal injury, and / or property damage.

### FASTENERS:

All Westin supplied fasteners must be utilized and installed in accordance with the installation instructions and apply torque to the specifications as defined. **DOUBLE CHECK ALL FASTENERS BEFORE INITIAL USE, AND PERIODICALLY IN THE FUTURE TO ENSURE PROPER FUNCTION AND SAFETY.**

### DRILLING:

Most Westin products do not require drilling for installation. If drilling is defined as required, use caution when drilling a vehicle. **FAILURE TO REVIEW AN AREA TO BE DRILLED MAY RESULT IN PERSONAL INJURY AND/OR INJURY TO OTHERS AS WELL AS VEHICLE DAMAGE.**

### EYE PROTECTION:

**ALWAYS WEAR SAFETY GLASSES OR GOGGLES DURING THE INSTALLATION PROCESS TO AVOID PERSONAL INJURY.**

### MAXIMUM TOWING/CARRYING CAPACITY:

The Westin Receiver Hitches will have a visible tow rating label affixed directly on the product. User should never exceed the vehicle manufacturers maximum tow and weight rating regardless of the capacity of the hitch. **FAILURE TO FOLLOW THESE GUIDELINES WILL VOID THE WESTIN WARRANTY AND MAY RESULT IN PERSONAL INJURY AND/OR INJURY TO OTHERS AS WELL AS VEHICLE DAMAGE.**

**Westin**  
SIGNATURE OF QUALITY

Westin Automotive Products, Inc.  
320 W. Covina Blvd  
San Dimas, Ca. 91773