



INSTALLATION INSTRUCTIONS

AUTOMOTIVE PRODUCTS,

PRODUCT DESCRIPTION

APPLICATION:

2014—Up Chevrolet, Silverado 1500

2014—Up GMC, Sierra 1500

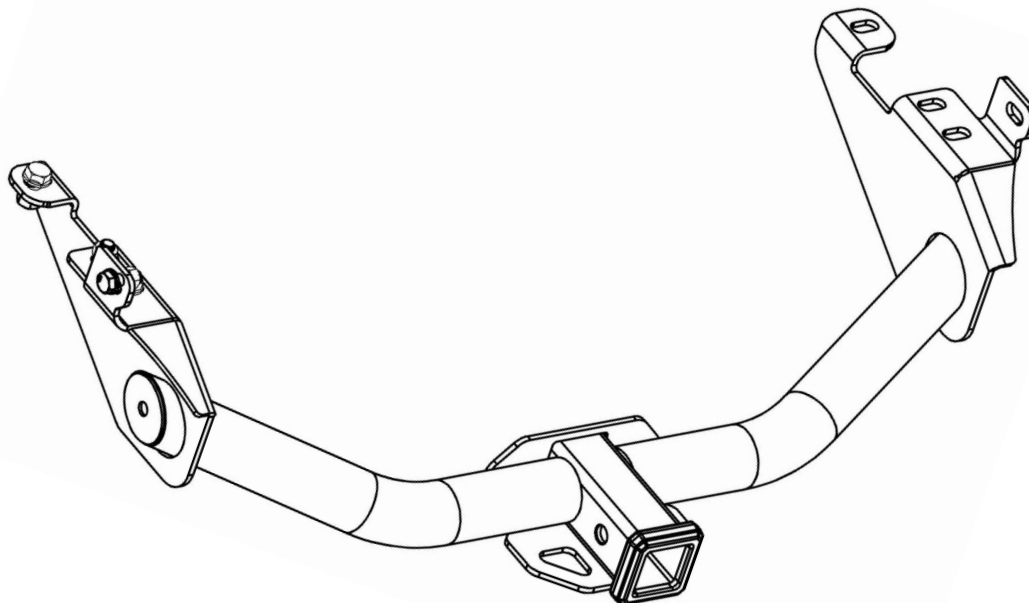
PART NUMBER:

65-1475

CONTENT – CONTENIDO -CONTENU

ITEM	QUANTITY	DESCRIPTION	TOOLS NEEDED
1	1	HITCH	19MM SOCKET
2	2	M12 HEX CAP SCREW	22MM SOCKET
3	2	M12 FLAT WASHERS	RATCHET
4	2	M12 HEX NUT	TORQUE WRENCH
5	2	M12 SPLIT LOCK WASHERS	19MM WRENCH
6	6	M14 HEX CAP SCREW	22MM WRENCH
7	10	M14 FLAT WASHERS	
8	4	M14 HEX NUT	
9	6	M14 SPLIT LOCK WASHERS	

ANTI-SEIZE LUBRICANT MUST BE USED ON ALL STAINLESS STEEL FASTENERS TO PREVENT THREAD DAMAGE AND GALLING



Westin Automotive Products, Inc.
320 W. Covina Blvd
San Dimas, Ca. 91773

Thank You for choosing Westin products
For Additional installation assistance please call
Customer service (800) 793-7846

PROCEDURE

1. Remove contents from box, verify if all parts listed are present and free from damage. Carefully read and understand all instructions before attempting installation.
2. Locate mount hole locations (Figure 1)
3. With assistance, place hitch brackets on frame as shows in figure 1.
4. Use the M12 hardware on the bracket flange and into the side hole of the frame (Figures 1 & 2. Items 2, 3, 4, and 5).
5. Use M14 hardware install the hitch on the 3 holes in the bottom of the frame, (Center hole has a nut already assembled to the frame) (Figures 1 and 2. Items 6, 7, 8 and 9).
6. Torque M12 hardware to 62 ft. lbs. And M14 to 105 ft. lbs.

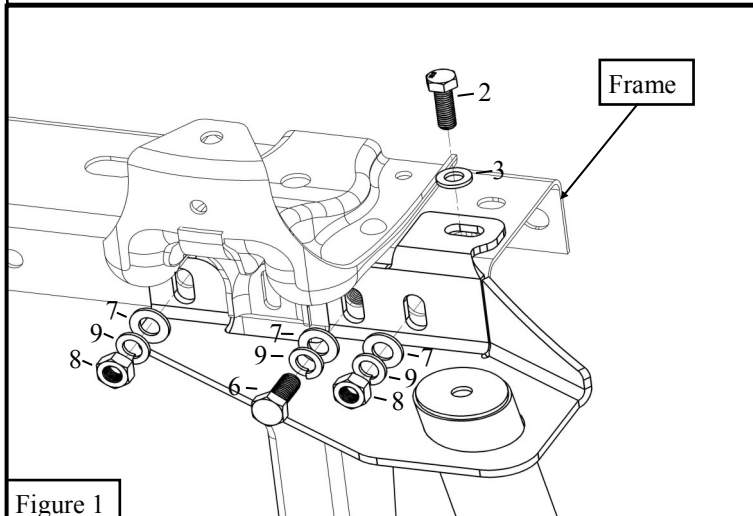


Figure 1

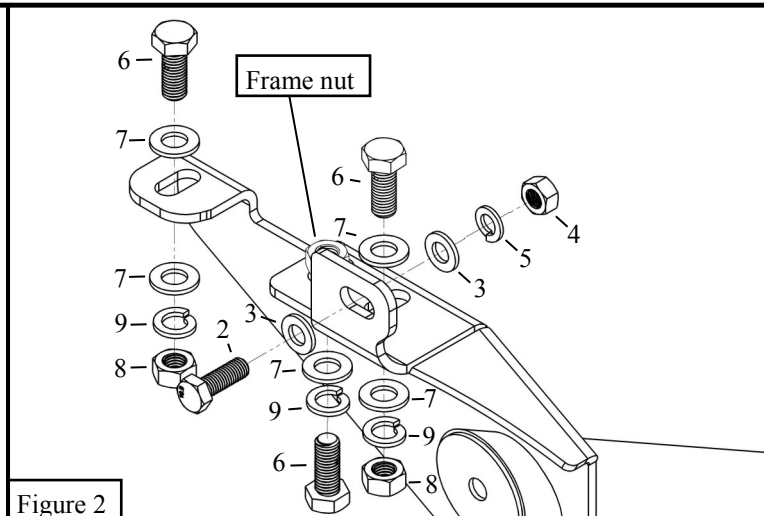
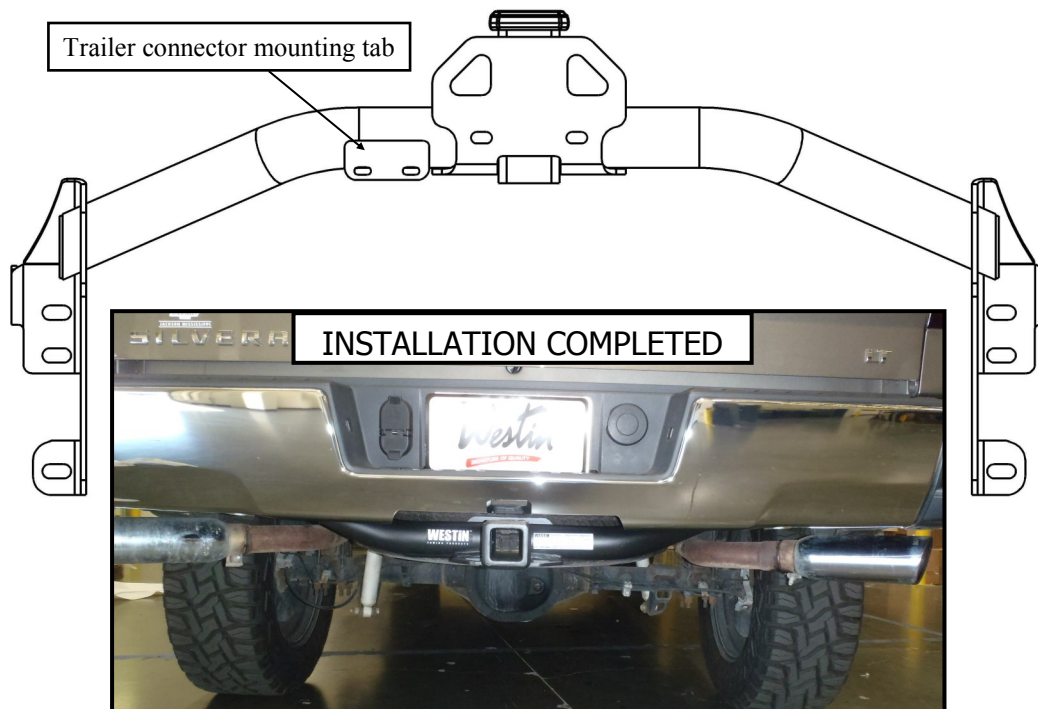


Figure 2



CARE INSTRUCTIONS

- REGULAR WAXING IS RECOMMENDED. DO NOT USE ANY TYPE OF POLISH OR WAX THAT MAY CONTAIN ABRASIVES
- STAINLESS STEEL PRODUCTS CAN BE CLEANED WITH MILD SOAP AND WATER. STAINLESS STEEL POLISH SHOULD BE USED TO POLISH SMALL SCRATCHES.
- GLOSS BLACK FINISHES SHOULD BE CLEANED WITH MILD SOAP AND WATER



Westin Automotive Products, Inc.
320 W. Covina Blvd
San Dimas, Ca. 91773

Thank You for choosing Westin products
For Additional installation assistance please call
Customer service (800) 793-7846
www.westinautomotive.com



SIGNATURE OF QUALITY

AUTOMOTIVE PRODUCTS, INC.

WARNINGS & NOTICES FOR THE INSTALLATION OF WESTIN TOWING PRODUCTS - CLASS III RECEIVER HITCH

NOTICE

Westin Receiver Hitches are designed to accommodate a 2"- square receiver draw bar rated for class III/IV towing. Closely follow all Westin Installation Instructions for the proper installation of product. Improper installation can result in death, serious injury, and/or product and vehicle damage. In the operation of these products, it is imperative to observe precautions for your personal safety and the safety of others.



WARNING



Failure to follow these instructions could lead to death, personal injury, and / or property damage.

FASTENERS:

All Westin supplied fasteners must be utilized and installed in accordance with the installation instructions and apply torque to the specifications as defined. **DOUBLE CHECK ALL FASTENERS BEFORE INITIAL USE, AND PERIODICALLY IN THE FUTURE TO ENSURE PROPER FUNCTION AND SAFETY.**

DRILLING:

Most Westin products do not require drilling for installation. If drilling is defined as required, use caution when drilling a vehicle. **FAILURE TO REVIEW AN AREA TO BE DRILLED MAY RESULT IN PERSONAL INJURY AND/OR INJURY TO OTHERS AS WELL AS VEHICLE DAMAGE.**

EYE PROTECTION:

ALWAYS WEAR SAFETY GLASSES OR GOGGLES DURING THE INSTALLATION PROCESS TO AVOID PERSONAL INJURY.

MAXIMUM TOWING/CARRYING CAPACITY:

The Westin Receiver Hitches will have a visible tow rating label affixed directly on the product. User should never exceed the vehicle manufacturers maximum tow and weight rating regardless of the capacity of the hitch. **FAILURE TO FOLLOW THESE GUIDELINES WILL VOID THE WESTIN WARRANTY AND MAY RESULT IN PERSONAL INJURY AND/OR INJURY TO OTHERS AS WELL AS VEHICLE DAMAGE.**



Westin Automotive Products, Inc.
320 W. Covina Blvd
San Dimas, Ca. 91773