



# INSTALLATION INSTRUCTIONS

## Snyper Oil Pan Skid Plate

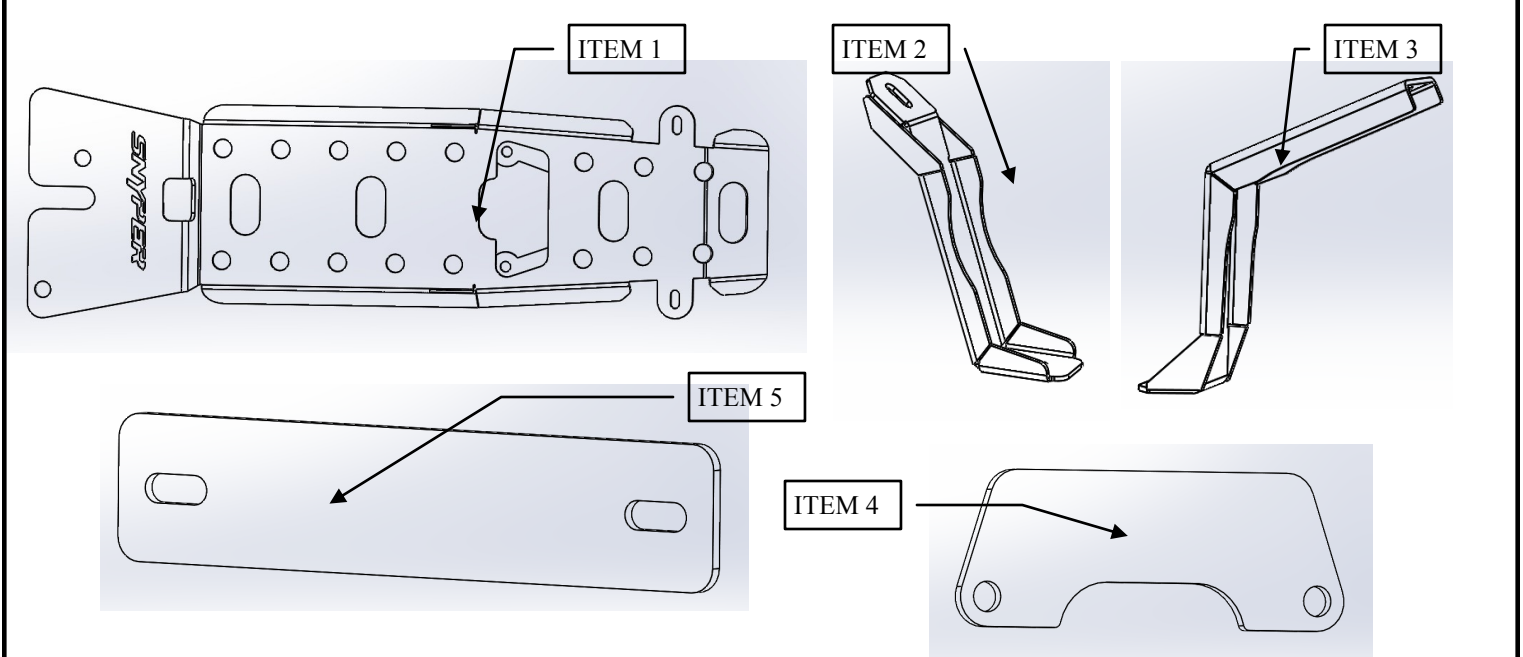
**APPLICATION:**  
Jeep Wrangler 2007-2016

**PART NUMBER:**  
42-21015

AUTOMOTIVE PRODUCTS,

CONTENT			
ITEM	QUANTITY	DESCRIPTION	TOOLS NEEDED
1	1	Oil Pan Skid Plate	18MM Socket
2	1	Bracket Passenger	Ratchet
3	1	Bracket Driver	Torque Wrench
4	1	Oil Drain Cover	13MM Socket
5	1	Support Plate	17MM Socket
6	2	M8 U-Nut	
7	2	M8 SEMS Hardware	
8	4	M10 Flat Washer	
9	4	M10 Hex Head Bolt	
10	4	M10 Split Lock Washer	
11	4	M10 Nut	

**ANTI-SEIZE LUBRICANT MUST BE USED ON ALL STAINLESS STEEL FASTENERS TO PREVENT THREAD DAMAGE AND GALLING**



Westin Automotive Products, Inc.  
320 W. Covina Blvd  
San Dimas, Ca. 91773

Thank you for choosing Westin products  
for additional installation assistance please call  
Customer Service (800) 793-7846

## PROCEDURE

1. Remove contents from box, verify if all parts listed are present and free from damage.  
(This skid plate can be installed by one person but it is highly recommended to have assistance of a second person.)  
**Failure to identify damage before installation could lead to a rejection of any claim.**
2. Using an 18MM wrench, remove the four bolts (A to D) that hold the stock transfer case skid plate as well as the three bolts (E-G) for the skid bar to the vehicle. See Fig. A
3. Find engine mounts and insert u-nut according to Fig B , Fig C and Fig D.

Fig. A

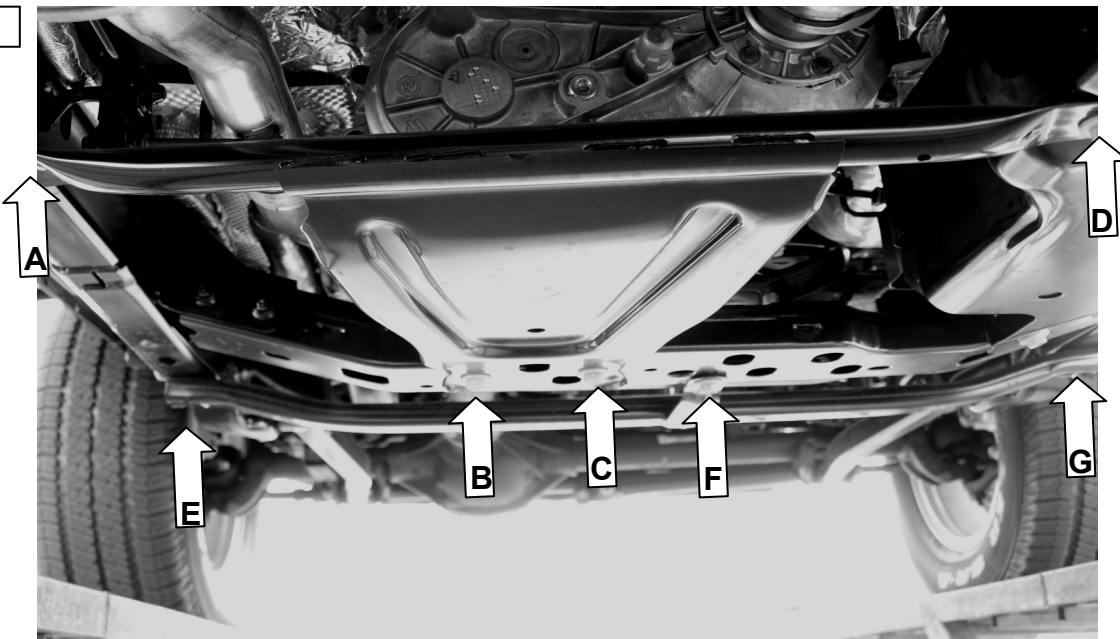


Fig. B

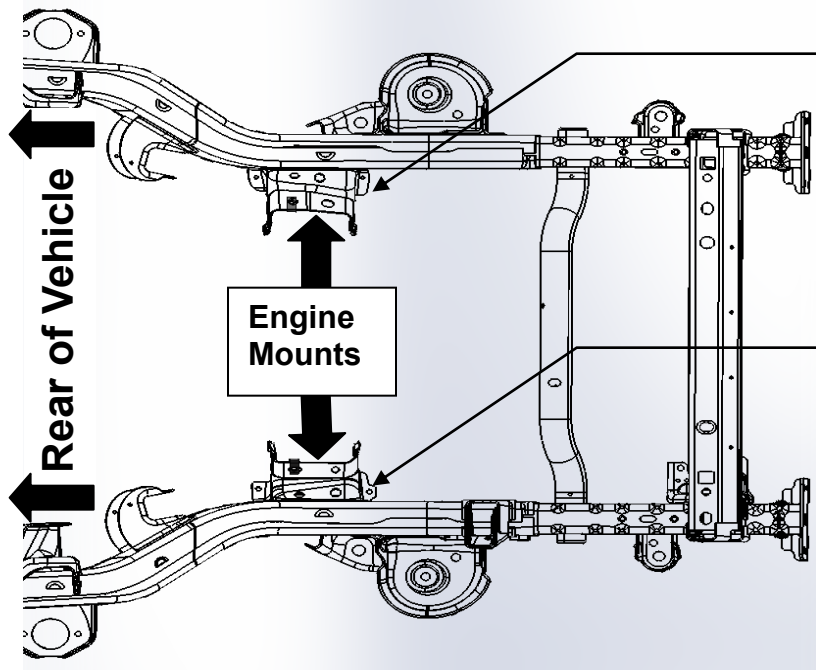
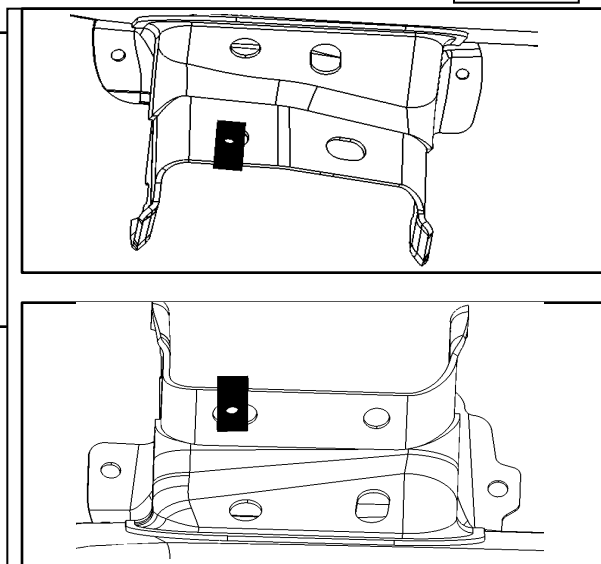
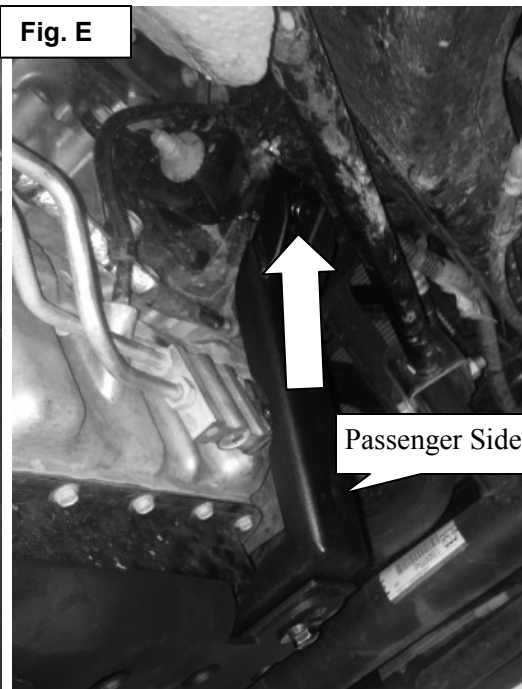
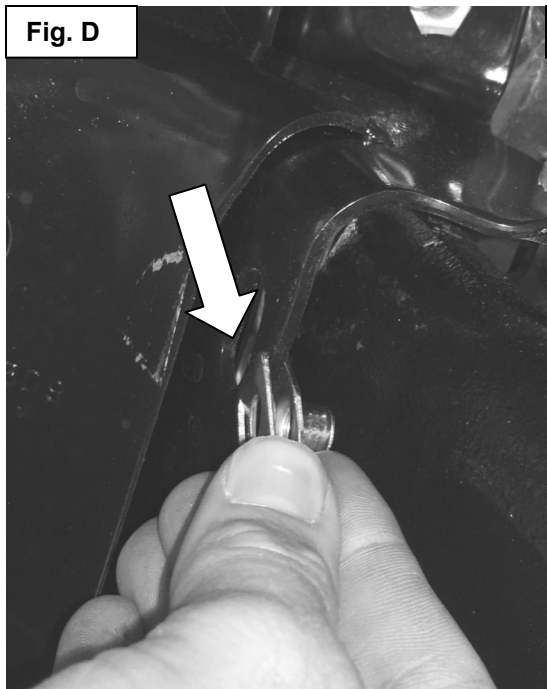
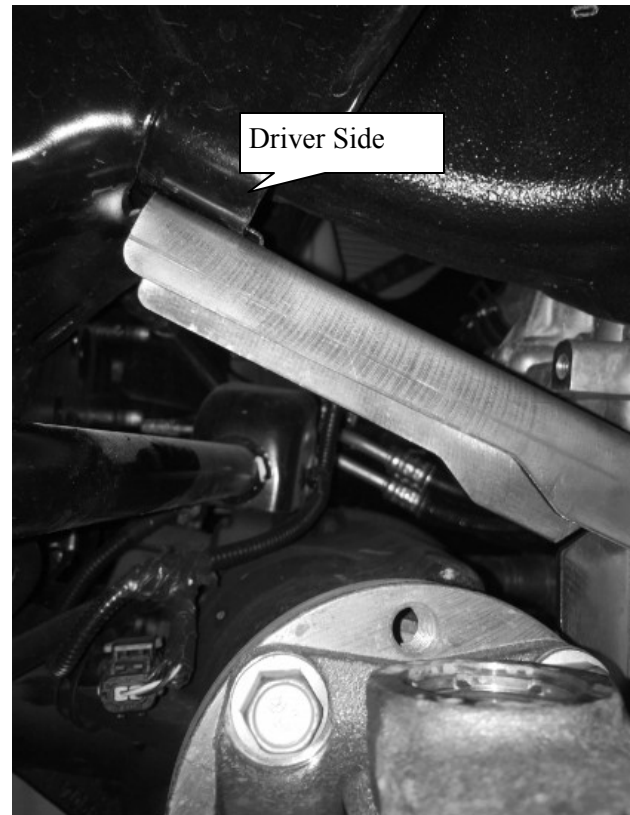
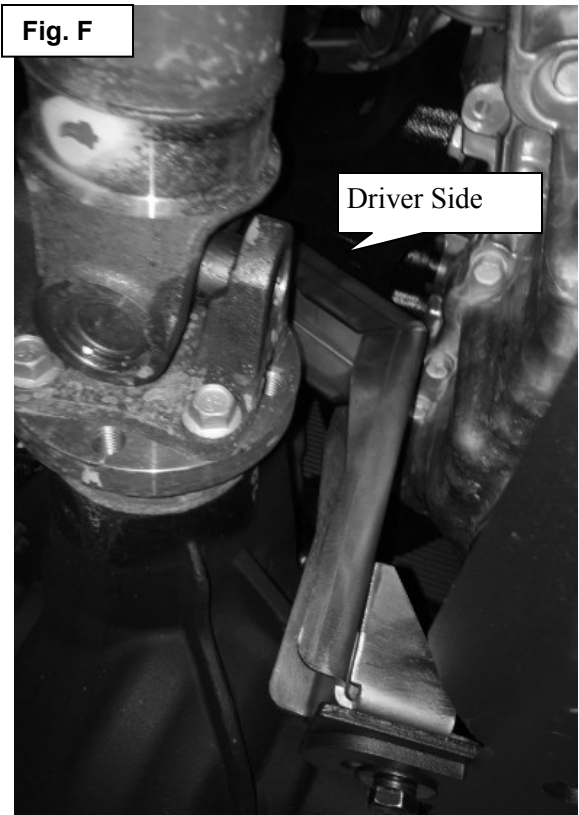


Fig. C





4. Proceed to mount both brackets using supplied M8 hardware but do not tighten until the end.



**CARE INSTRUCTIONS**

- REGULAR WAXING IS RECOMMENDED. DO NOT USE ANY TYPE OF POLISH OR WAX THAT MAY CONTAIN ABRASIVES.
- STAINLESS STEEL PRODUCTS CAN BE CLEANED WITH MILD SOAP AND WATER. STAINLESS STEEL POLISH SHOULD BE USED TO POLISH SMALL SCRATCHES.
- GLOSS BLACK FINISHES SHOULD BE CLEANED WITH MILD SOAP AND WATER.

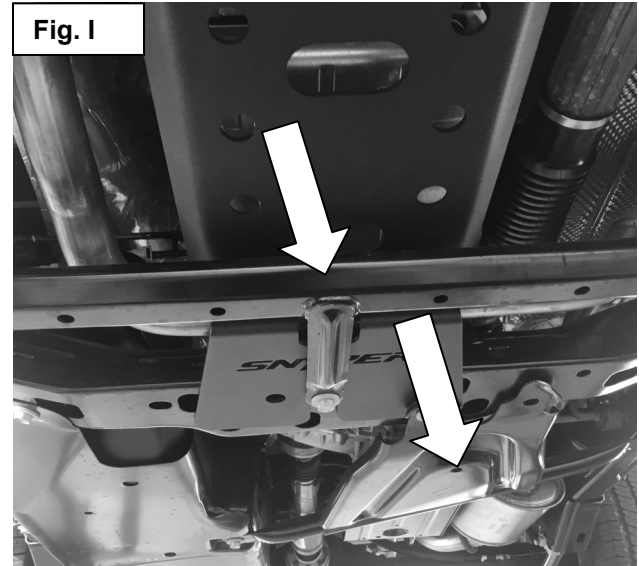
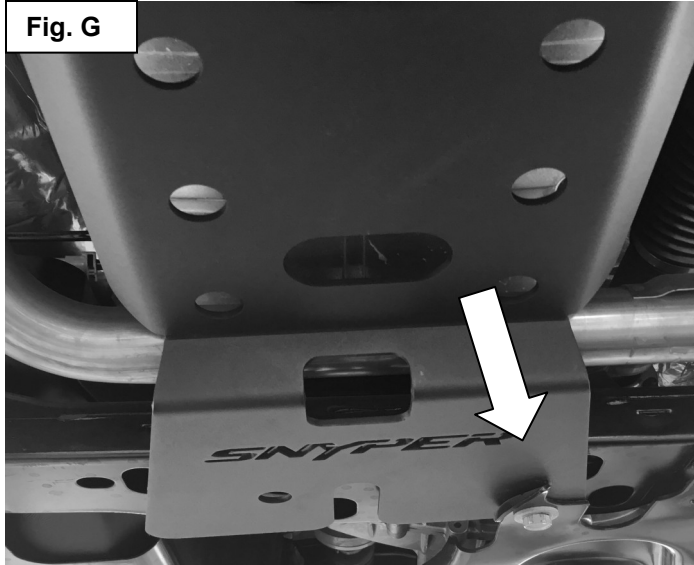


Westin Automotive Products, Inc.  
320 W. Covina Blvd  
San Dimas, Ca. 91773

Thank you for choosing Westin products  
for additional installation assistance please call  
Customer Service (800) 793-7846

5. Bolt skid plate to cross member using stock bolt removed on step #2. See **Fig. G** . Do not tighten.

7. Re-install stock transfer case skid plate and stock skid bar that were removed on step #2. Use stock hardware and torque to 50-55 ft-lbs. See **Fig.I**  
Tighten all M8 hardware to 18-20 ft-lbs.  
Tighten all M10 hardware to 35-40 ft-lbs.



6. Using M10 hardware, bolt skid plate to brackets. Place support plate in between brackets and skid plate. See **Fig H**.

8 Install oil drain cover using M10 hardware and tighten to 35-40 ft-lbs. Remove this cover at time of oil changes.

