

INSTALLATION INSTRUCTIONS

MUFFLER SKID PLATE



APPLICATION:

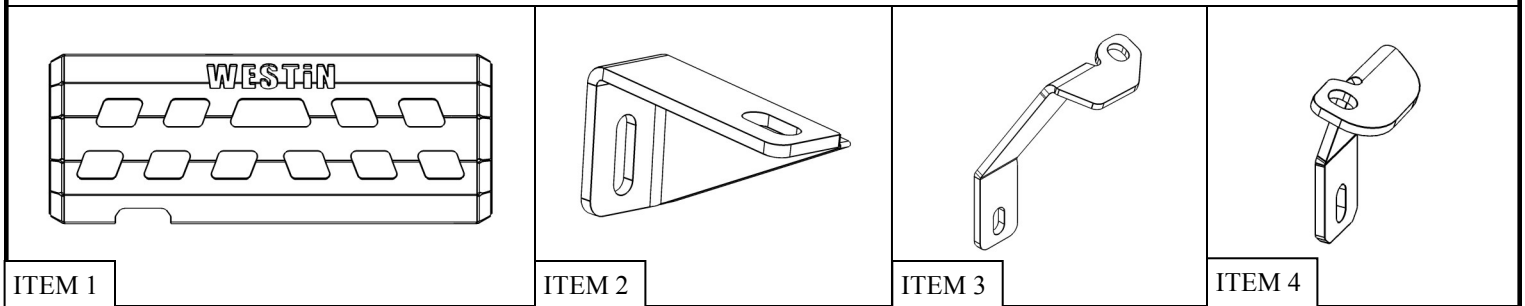
2018-2019 Jeep Wrangler JL 2dr / Wrangler Unlimited 4dr
(Excl. 2018 JK)

PART NUMBER:

42-21105

CONTENT			
ITEM	QUANTITY	DESCRIPTION	TOOLS NEEDED
1	1	SKID PLATE	13MM WRENCH
2	2	BRACKET A	16MM SOCKET
3	1	BRACKET B	ALLEN WRENCH
4	1	BRACKET C	RATCHET
5	1	M10 NUT PLATE	TORQUE WRENCH
6	4	PLASTIC RETAINER SQUARE	
7	4	M8 SPLIT LOCK WASHER	
8	4	M8 FLAT WASHER	
9	4	M8 HEX NUT	
10	4	M8 SQUARE NECK BOLT	
11	2	M10 BUTTON HEAD SCREW	
12	2	M10 HEX HEAD CAP SCREW	
13	4	M10 SPLIT LOCK WASHER	
14	4	M10 FLAT WASHER	

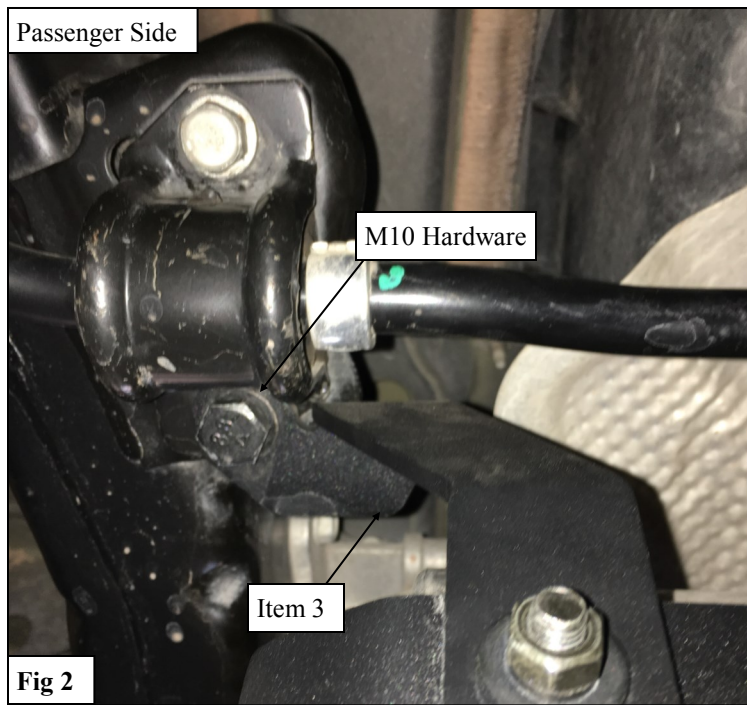
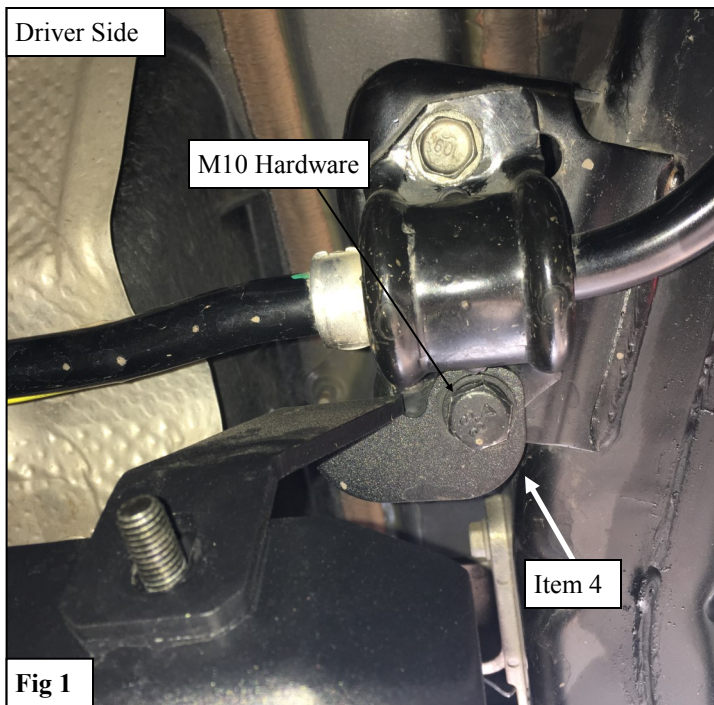
ANTI-SEIZE LUBRICANT MUST BE USED ON ALL STAINLESS STEEL FASTENERS TO PREVENT THREAD DAMAGE AND GALLING



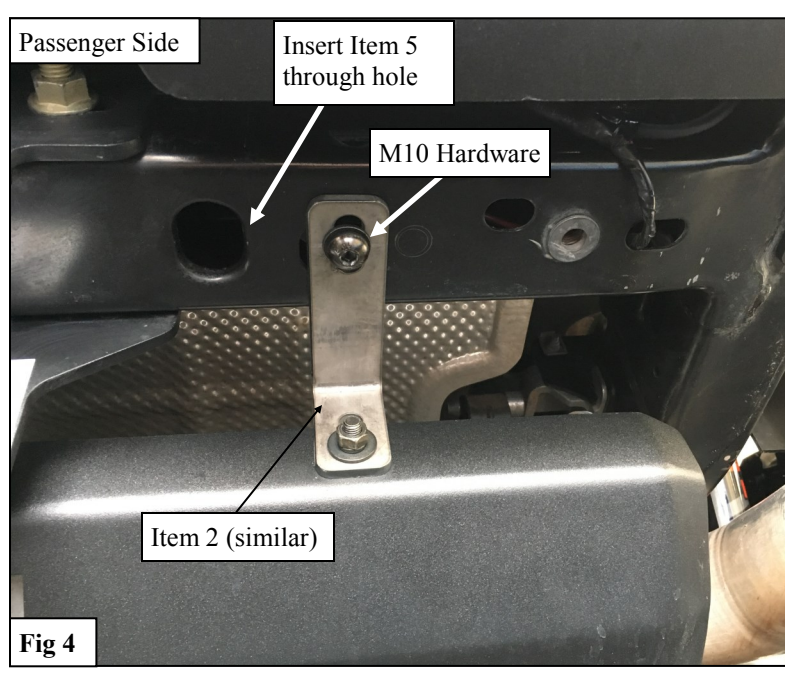
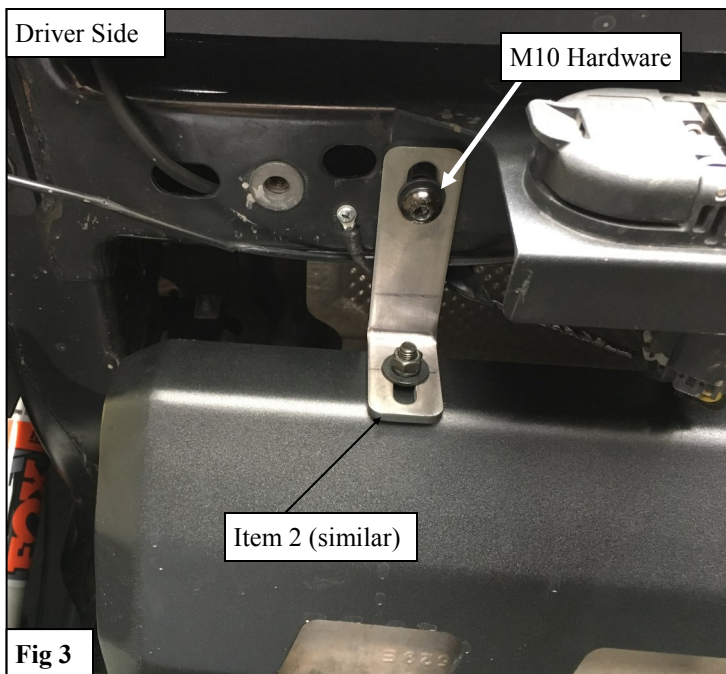
PROCEDURE

- Remove contents from box, verify if all parts listed are present and free from damage.
Carefully read and understand all instructions before attempting installation.
Failure to identify damage before installation could lead to a rejection of any claim.

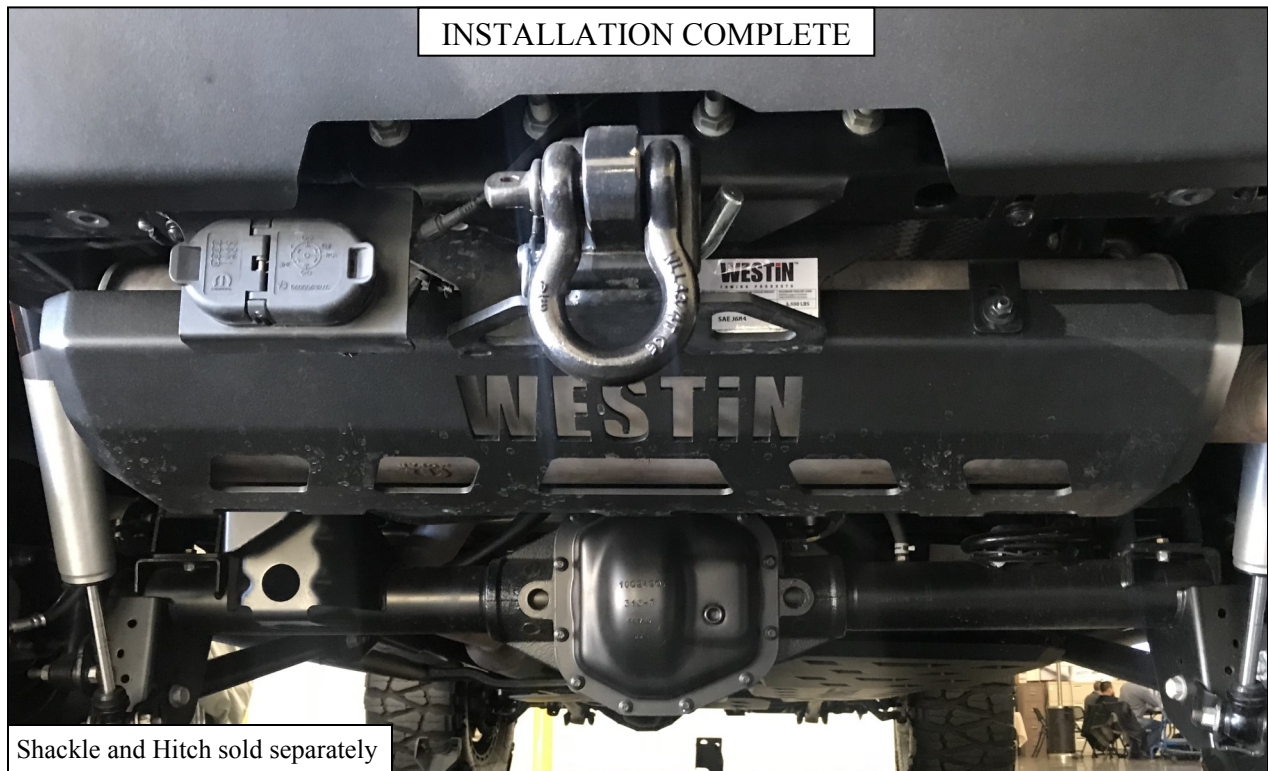
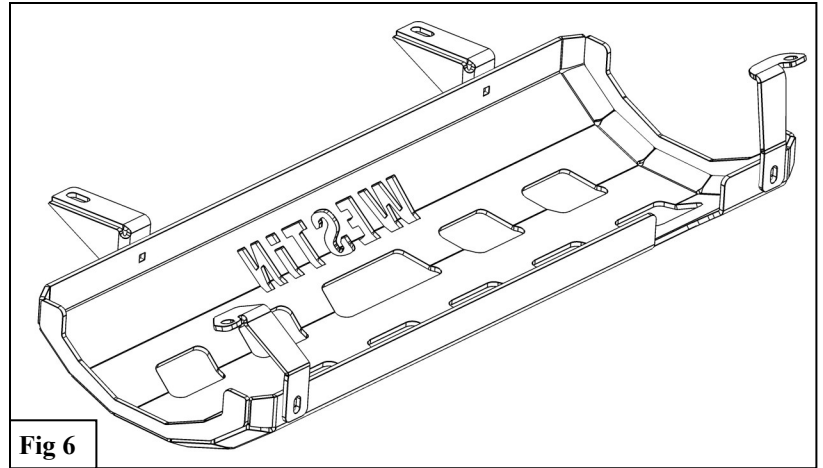
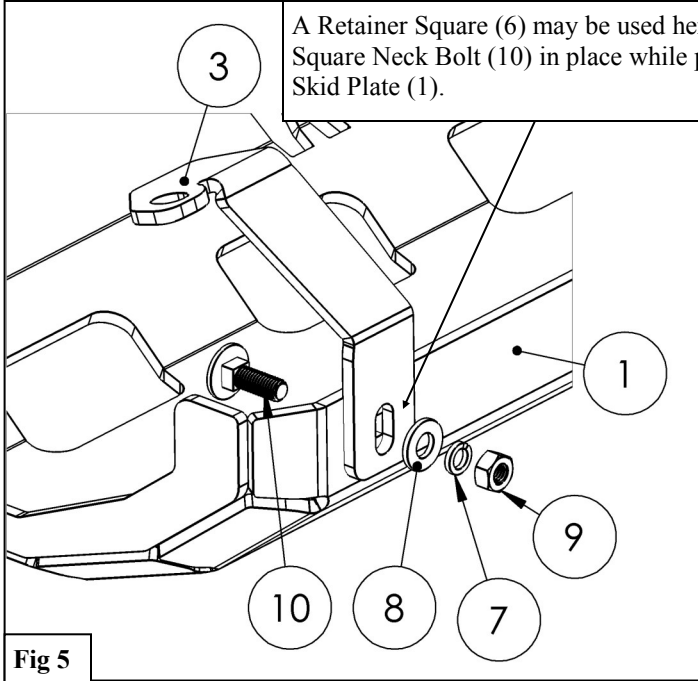
- Loosely install Bracket C (4) to the Driver Side sway bar using the supplied M10 Hex Bolt (12), M10 Lock washer (13), and M10 Flat Washer (14). See **Figure 1**. *Note: Figures 1-4 show Skid Plate (1) installed. Do not install until Step 6.*
- Repeat **Step 2** on the Passenger Side using Bracket B (3). See **Figure 2**.



- Loosely install Bracket A (2) to the Driver Side rear of the frame using the supplied M10 Button Head Bolt (11), M10 Lock washer (13), and M10 Flat Washer (14). See **Figure 3**.
- Repeat **Step 4** on the Passenger Side. See **Figure 4**. *Note: The supplied Nut Plate (5) will be inserted into the frame to be used in securing Bracket A (2).*



6. Secure the Skid Plate (1) to the Brackets (2-4) using the supplied M8 Hardware. All 4 brackets will fasten to the Skid Plate (1) the same way as seen in **Figure 5**. *Note: See **Figure 6** for bracket positions on the skid plate.*
7. Torque all hardware: M8 hardware to 18 ft-lbs, M10 hardware to 38 ft-lbs.



CARE INSTRUCTIONS

- REGULAR WAXING IS RECOMMENDED. DO NOT USE ANY TYPE OF POLISH OR WAX THAT MAY CONTAIN ABRASIVES.
- STAINLESS STEEL PRODUCTS CAN BE CLEANED WITH MILD SOAP AND WATER. STAINLESS STEEL POLISH SHOULD BE USED TO POLISH SMALL SCRATCHES.
- GLOSS BLACK FINISHES SHOULD BE CLEANED WITH MILD SOAP AND WATER

WESTIN Westin Automotive Products, Inc.
320 W. Covina Blvd
San Dimas, Ca. 91773

Thank you for choosing Westin products
for additional installation assistance please call
Customer Service (800) 793-7846
www.westinautomotive.com



WARNING



Failure to follow these instructions could lead to death, personal injury, and / or property damage.

Failure to follow these instructions could lead to death, personal injury, and / or property damage.

FASTENERS:

All Westin supplied fasteners must be utilized and installed in accordance with the installation instructions and apply torque to the specifications as defined. **DOUBLE CHECK ALL FASTENERS BEFORE INITIAL USE, AND PERIODICALLY IN THE FUTURE TO ENSURE PROPER FUNCTION AND SAFETY.**

DRILLING:

Most Westin products do not require drilling for installation. If drilling is defined as required, use caution when drilling a vehicle. **FAILURE TO REVIEW AN AREA TO BE DRILLED MAY RESULT IN PERSONAL INJURY AND/OR INJURY TO OTHERS AS WELL AS VEHICLE DAMAGE.**

EYE PROTECTION:

ALWAYS WEAR SAFETY GLASSES OR GOGGLES DURING THE INSTALLATION PROCESS TO AVOID PERSONAL INJURY.

MAXIMUM TOWING/CARRYING CAPACITY: (if applicable)

The Westin Receiver Hitches will have a visible tow rating label affixed directly on the product. User should never exceed the vehicle manufacturers maximum tow and weight rating regardless of the capacity of the hitch. **FAILURE TO FOLLOW THESE GUIDELINES WILL VOID THE WESTIN WARRANTY AND MAY RESULT IN PERSONAL INJURY AND/OR INJURY TO OTHERS AS WELL AS VEHICLE DAMAGE.**

FOR CALIFORNIA RESIDENTS ONLY-PROP 65 WARNING:

Some products may contain chemicals such as DEHP, which can cause cancer, birth defects or other reproductive harm. For more info go to www.p65warnings.ca.gov



Westin Automotive Products, Inc.
320 W. Covina Blvd
San Dimas, Ca. 91773