



# INSTALLATION INSTRUCTIONS

HDX Drop Step

**APPLICATION:**

2010-2018 Toyota 4Runner SR5  
2014-2018 Toyota 4Runner TRD (EXCLD LIMITED)

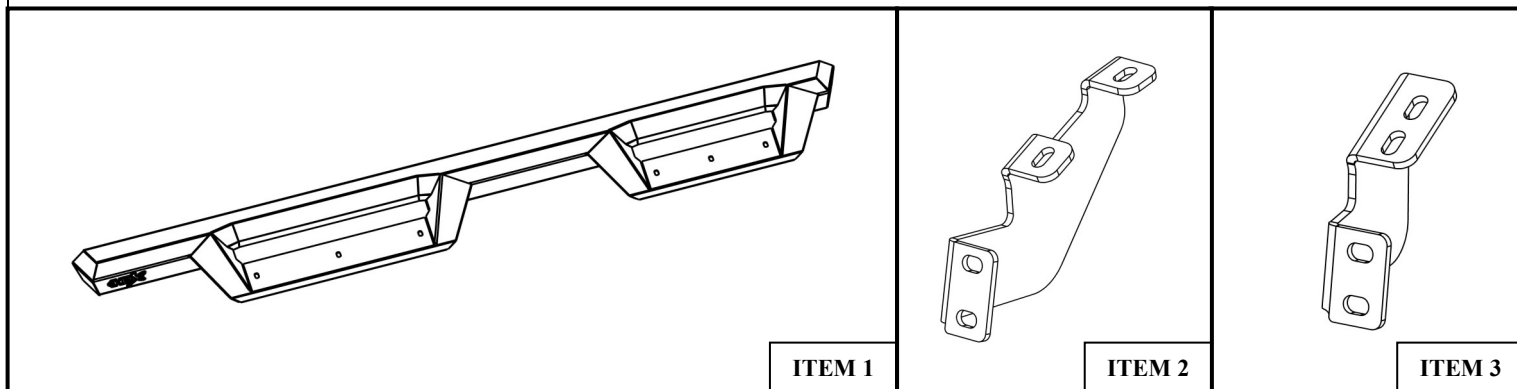
**PART NUMBER:**

56-13835

AUTOMOTIVE PRODUCTS, INC.

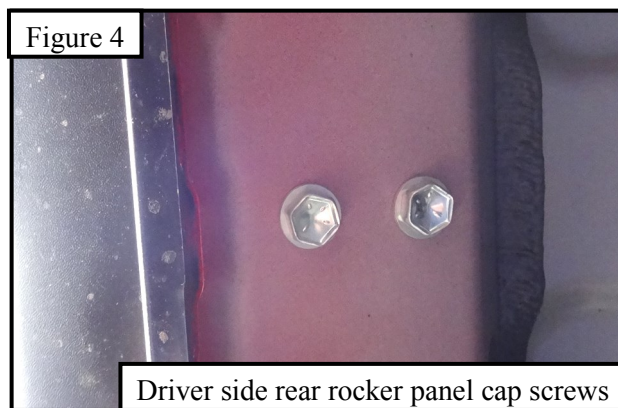
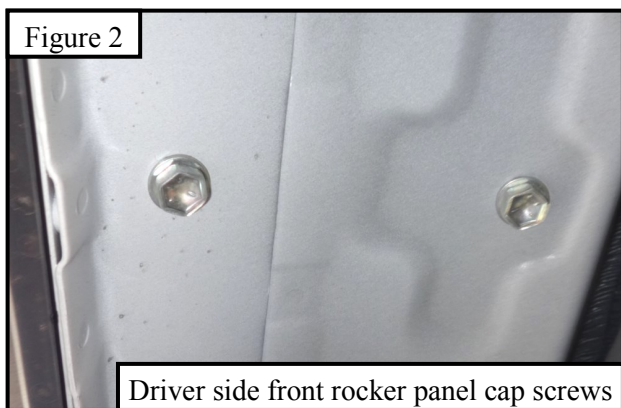
ITEM	QUANTITY	DESCRIPTION	TOOLS NEEDED
1	2	STEP BARS	12MM SOCKET
2	2	FRONT MOUNT BRACKET	13MM SOCKET
3	4	REAR / CENTER MOUNT BRACKET	HEX KEY TOOL
4	20	M8 LONG HEX HEAD CAP SCREWS (YELLOW ZINC)	RATCHET
5	24	M8 FLAT WASHERS (YELLOW ZINC)	TORQUE WRENCH
6	24	M8 LOCK WASHERS (YELLOW ZINC)	
7	4	M8 SHORT HEX HEAD CAP SCREWS (YELLOW ZINC)	

**ANTI-SEIZE LUBRICANT MUST BE USED ON ALL STAINLESS STEEL FASTENERS TO PREVENT THREAD DAMAGE AND GALLING**

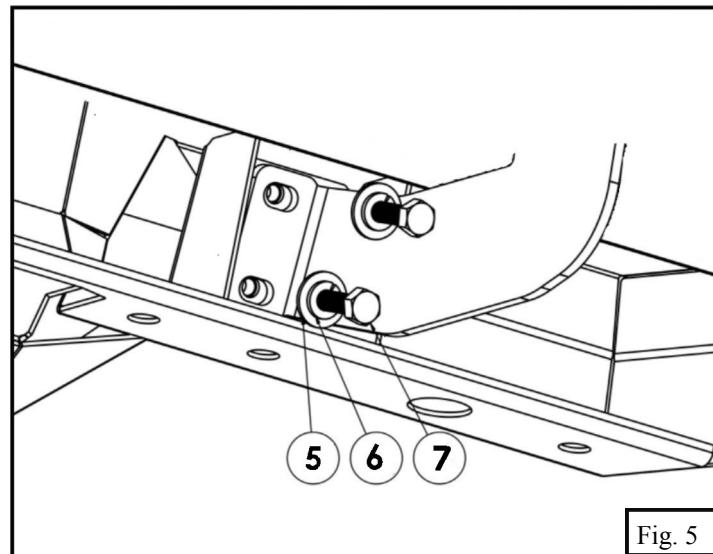
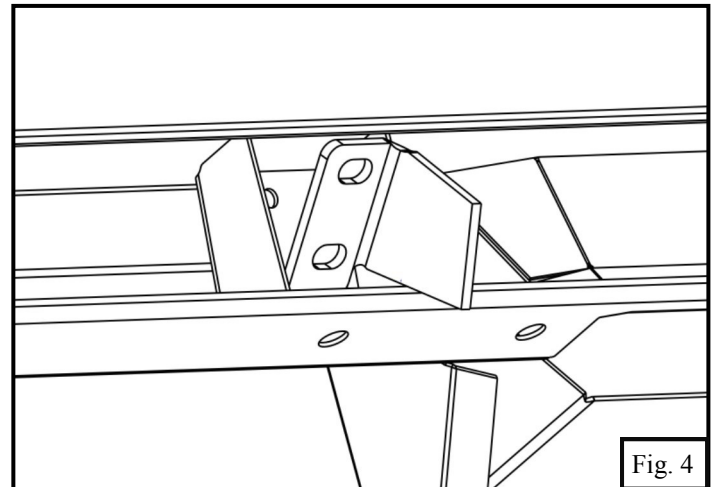
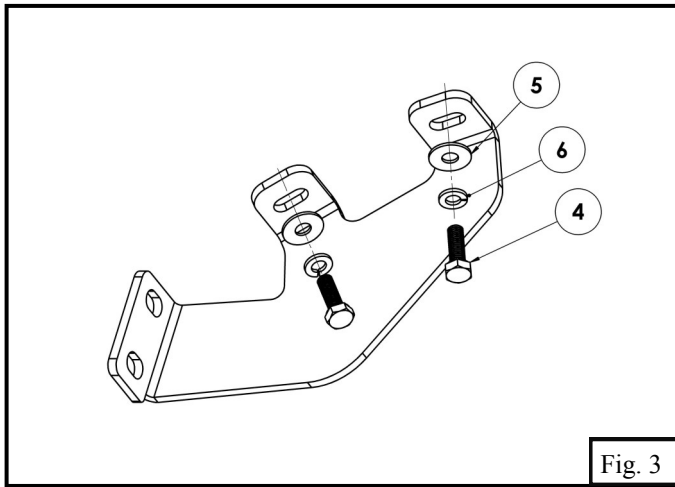


**PROCEDURE**

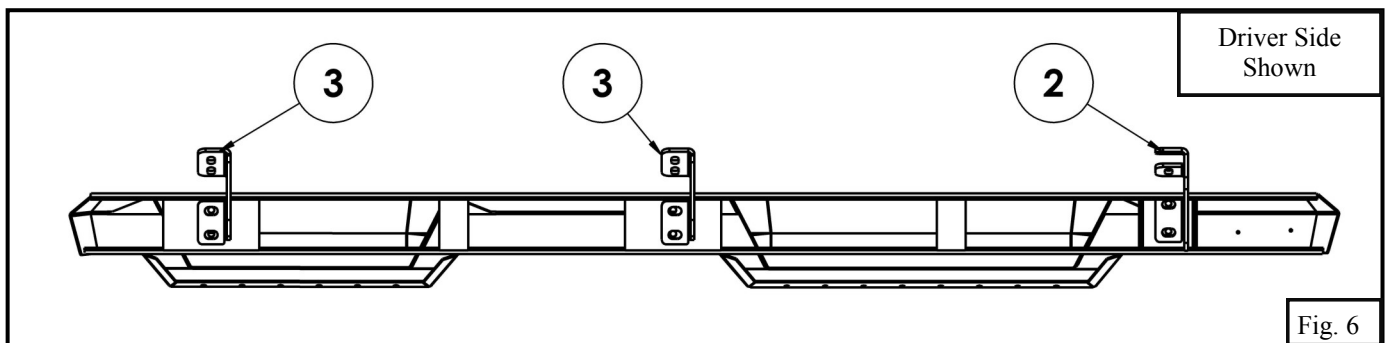
- Remove contents from box, verify if all parts listed are present and free from damage. Carefully read and understand all instructions before attempting installation.  
**Failure to identify damage before installation could lead to a rejection of any claim.**
- Starting at the driver side front use 12mm socket to remove the two rocker panel bracket hex cap screws. Repeat same process for center and rear brackets. See **Figures 1 & 2**

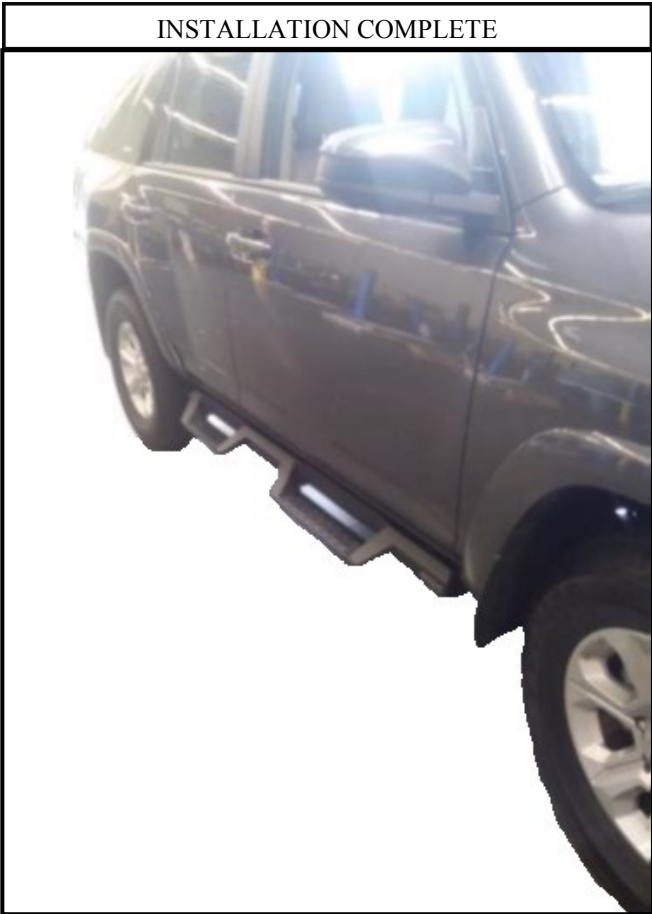
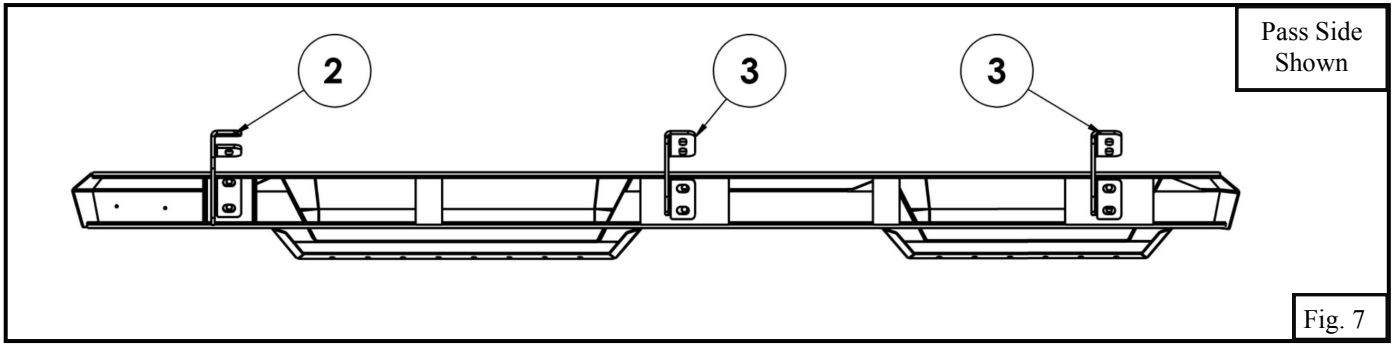


3. Locate Front Mount Bracket (Item 2) and loosely install using supplied M8 hardware. Repeat for all other mount locations. See **Figure 3**
4. Before installing board to the previously installed brackets tilt backwards for easy entry into mount location. See **Figure 4**



5. Loosely install board to previously mounted brackets with supplied M8 hardware. See Figures 5 (Note: See **Figures 6 & 7** for bracket orientation).
6. Align and adjust to preferred fitment then torque all M8 hardware to 16 ft-lbs.





**Care Instructions**

- REGULAR WAXING IS RECOMMENDED. DO NOT USE ANY TYPE OF POLISH OR WAX THAT MAY CONTAIN ABRASIVES.
- STAINLESS STEEL PRODUCTS CAN BE CLEANED WITH MILD SOAP AND WATER. STAINLESS STEEL POLISH SHOULD BE USED TO POLISH SMALL SCRATCHES.
- GLOSS BLACK FINISHES SHOULD BE CLEANED WITH MILD SOAP AND WATER.



Westin Automotive Products, Inc.  
 320 W. Covina Blvd  
 San Dimas, Ca. 91773

**Thank you for choosing Westin products  
 for additional installation assistance please call  
 Customer Service (800) 793-7846**

[www.westinautomotive.com](http://www.westinautomotive.com)

# Westin

SIGNATURE OF QUALITY

AUTOMOTIVE PRODUCTS, INC.



## WARNING



Failure to follow these instructions could lead to death, personal injury, and / or property damage.

### FASTENERS:

All Westin supplied fasteners must be utilized and installed in accordance with the installation instructions and apply torque to the specifications as defined. **DOUBLE CHECK ALL FASTENERS BEFORE INITIAL USE, AND PERIODICALLY IN THE FUTURE TO ENSURE PROPER FUNCTION AND SAFETY.**

### DRILLING:

Most Westin products do not require drilling for installation. If drilling is defined as required, use caution when drilling a vehicle. **FAILURE TO REVIEW AN AREA TO BE DRILLED MAY RESULT IN PERSONAL INJURY AND/OR INJURY TO OTHERS AS WELL AS VEHICLE DAMAGE.**

### EYE PROTECTION:

**ALWAYS WEAR SAFETY GLASSES OR GOGGLES DURING THE INSTALLATION PROCESS TO AVOID PERSONAL INJURY.**

### MAXIMUM TOWING/CARRYING CAPACITY:

The Westin Receiver Hitches will have a visible tow rating label affixed directly on the product. User should never exceed the vehicle manufacturers maximum tow and weight rating regardless of the capacity of the hitch. **FAILURE TO FOLLOW THESE GUIDELINES WILL VOID THE WESTIN WARRANTY AND MAY RESULT IN PERSONAL INJURY AND/OR INJURY TO OTHERS AS WELL AS VEHICLE DAMAGE.**

Westin  
SIGNATURE OF QUALITY

Westin Automotive Products, Inc.  
320 W. Covina Blvd  
San Dimas, Ca. 91773