

THE INFORMATION CONTAINED IN THIS DRAWING IS THE SOLE PROPERTY OF SYNERGY MFG. ANY REPRODUCTION IN PART OR WHOLE WITHOUT THE WRITTEN PERMISSION OF SYNERGY MFG IS PROHIBITED.

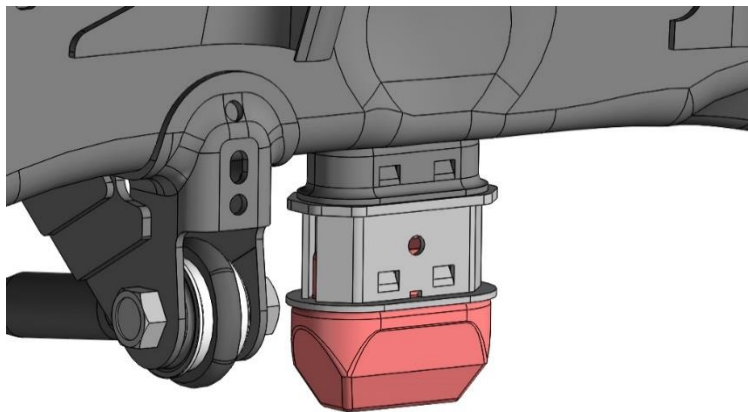
Revisions			
Rev.	Description	Date	Approved
A	Initial Release Per ECO 18-073	8/2/18	KB



RAM FRONT 2" DROP BUMPSTOP SPACER

Installation Instructions

Applications:
1994-CURRENT RAM 2500
1994-CURRENT RAM 3500



TITLE:	
RAM BUMPSTOP SPACER	

A	SIZE	DWG NO:	REV
		8734-20-INST	A
SCALE: N/A		PAGE 1 OF 6	



Thank you for purchasing the best aftermarket products available for your vehicle. We strongly feel that the parts you are about to install should meet or exceed your expectations for performance. Proper assembly is critical to the performance of these components and the vehicle as a whole. Please take the time to carefully read these instructions and familiarize yourself with the installation procedure before working on your vehicle. If you have any questions PLEASE contact Synergy Manufacturing BEFORE beginning installation. Thanks again for supporting Synergy – enjoy the performance benefits of the best aftermarket products available for your vehicle!

Synergy Manufacturing
Phone: (805) 242-0397
Email: support@synergymfg.com

Modifying or otherwise altering vehicle components may cause the vehicle to handle differently than originally designed. It is the driver's responsibility to familiarize themselves with the performance and handling characteristics of the modified vehicle. Vehicles with larger diameter than stock tires must be driven carefully and cannot be expected to perform as stock or meet OEM performance with regard to handling, braking or crash performance. Ensure all replacement components are compatible with vehicle capacities so as not to overload components, especially tires. It is up to the individual to ensure that the vehicle and all components are compatible with the intended vehicle use, including load ratings, road conditions, and driver abilities. Thorough and frequent vehicle inspections are recommended to ensure a safe and reliable state of readiness, especially after off-highway use.



PARTS LIST

8734-20 PART		
QTY	Part Number	Description
2	8734-20	RAM HD TRUCK, FRONT 2.0" DROP BUMPSTOP SPACER
2	HC5-6-20	HEX HEAD THREAD CUTTING SCREW, 3/8-16 X 1.25L

GENERAL NOTES

- These instructions are also available on our website; www.synergymfg.com. Check the website before you begin for any updated instructions and additional photos for your reference.
- Check OEM rubber bump stops for wear and order new ones ahead of time if needed.

TOOLS REQUIRED

- DRILL
- 5/16 DRILL BIT
- MARKER
- CENTER PUNCH
- FLAT BLADE SCREWDRIVERS
- 3/8 RATCHET
- 9/16 SOCKET
- FLOOR JACK OR VEHICLE LIFT
- JACK STANDS

ESTIMATED INSTALLATION TIME

1 Hour

INSTALLATION

1. Support the front of the truck. Remove the front wheels and allow the front axle to droop all the way down. Removal of the springs and shocks is not necessary.
2. Using a flat blade screw driver pry the factory OEM rubber bumpstop out of the stock bumpstop mount. It's easiest to insert the screwdriver from the side in between the rubber bumpstop and metal mount and pry outward. See figure 1. Keep the rubber bumpstops!



Figure 1. Prying the rubber bump stop out of the mount.

3. Make a mark in the center of the stock bumpstop mount. You can use one of the bumpstop mounts, hold it in place and transfer the location of the center hole to the frame. Center punch your mark and repeat for the opposite side. See figure 2.



Figure 2. Marking the location for the hole.

4. Pilot drill both sides with an 1/8" or equivalent drill bit, then drill out to 5/16" diameter. See figure 3.



Figure 3. Drilling the hole.

5. Reinstall the Synergy Ram Bumpstop Spacer onto the bottom of the stock bumpstop mount on the frame. Drive one of the self tapping 3/8-16 x 1.25" long bolts into the hole in the frame to secure the bumpstop extension to the frame. Repeat for the opposite side. See figure 4.



Figure 4. Installing self tapping screw.

6. Install the OEM factory rubber bumpstops into the new Synergy Ram Bumpstop Spacers. Stuff the rubber bumpstop as best you can squarely into the new mounts. You can stack some wooden blocks on top of the bumpstop pads on the axle and use the weight of the vehicle to press them all the way in, or you can use a long prybar off of the coil springs to lever them into place. Use some soap or windex to lube the bumpstop to make it easier to install. Do not use grease or petroleum products. Verify the bumpstops are securely and squarely in place. See figure 5.

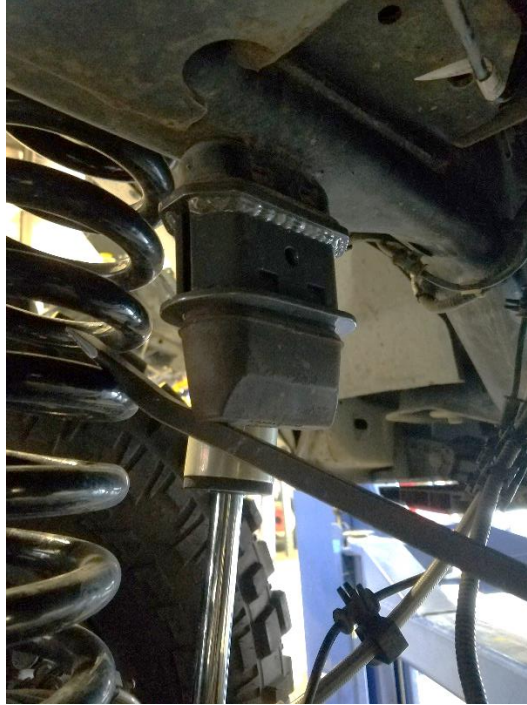


Figure 5. Assembled bump stop extension.

Installation is Complete