

Polaris 2016-20 General Roof

Thank you for choosing Rough Country for all your UTV needs.

Please read instructions before beginning installation. Check the kit hardware against the kit contents shown below. Be sure you have all needed parts and know where they go.

If question exist, please call us @1-800-222-7023. We will be happy to answer any questions concerning this product. Check all fasteners for proper torque. Check to ensure for adequate clearance between all components.

Periodically check all hardware for tightness.

KIT CONTENTS:

- (6) 1/4" x 7/8" Bolts
- (5) 1/4" x 1.25" Bolts
- (2) #8 x 3/4" Self Tapping Bolts
- (10) 1/4" Flat Washers
- (6) 1" Fender Washers
- (5) 1/4" Cap Nuts
- (5) P-clamps
- (1) Roof Edge Gasket/Seal

TOOLS NEEDED:

- 7/16" Socket/Wrench
- Ratchet
- Phillips Screwdriver



Installation Instructions

1. Bolt the spacers and the visor to the main roof component opposite the contour notches using 1/4-20 x 1.25" bolts with 1/4" washers on top and bottom with cap nuts on the bottom. Leave the clamps off until step 7. **See Photo 1.**
2. Press on the main roof seal/gasket around the edges shown in **Photo 2.**

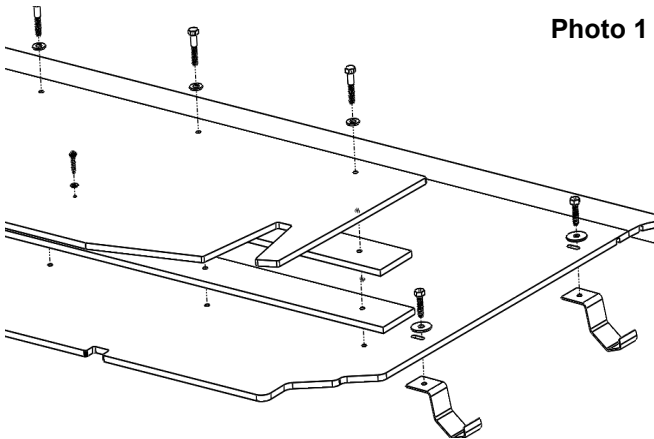


Photo 1

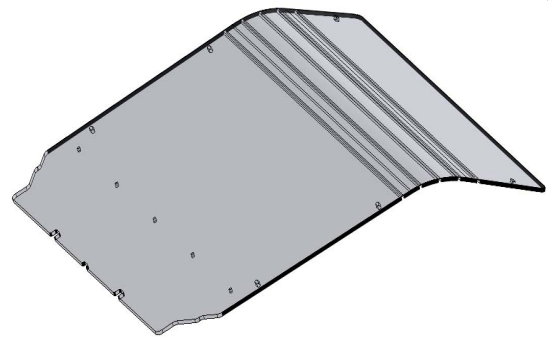


Photo 2

3. Set the roof on top of the vehicle, with the visor retention tabs to the rear of the visor. **See Photo 3.**
4. Slide the roof forward, while guiding the visor retention tabs into the visor.
5. Flex the rear of the roof to sit on the inner step of the ROPS.
6. Press the sides of the roof and the gasket into the inner steps of the roll cage.
7. Install the six Profile Clamps, using the 1/4-20 x 7/8" bolts and 1" fender washer. Use the fender washer on the top side of the roof.

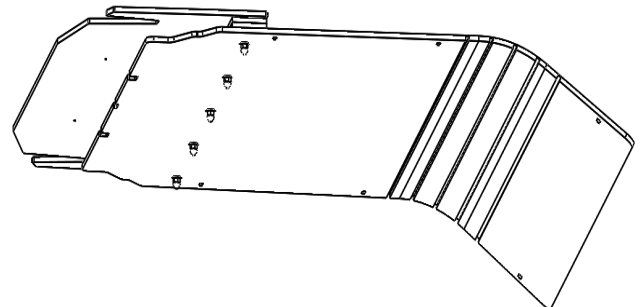
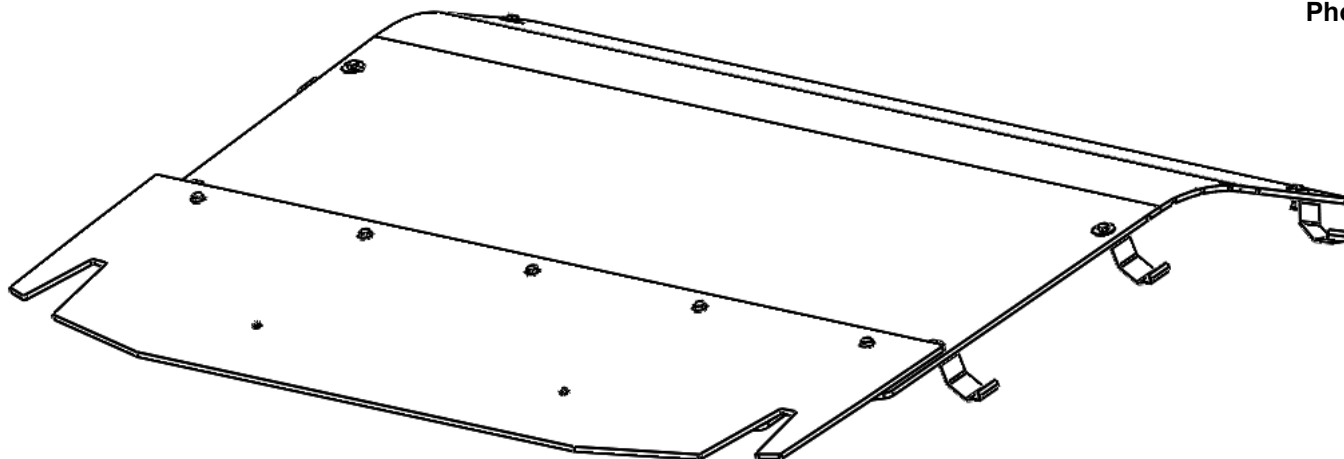


Photo 3

8. Install the #8, self tapping visor screws using a Phillips screwdriver. **See Photo 4.**
9. Tighten all hardware.

Photo 4



Thank you for choosing Rough Country for all your UTV needs.

By purchasing any item sold by Rough Country, LLC, the buyer expressly warrants that he/she is in compliance with all applicable, State, and Local laws and regulations regarding the purchase, ownership, and use of the item. It shall be the buyers responsibility to comply with all Federal, State and Local laws governing the sales of any items listed, illustrated or sold. The buyer expressly agrees to indemnify and hold harmless Rough Country, LLC for all claims resulting directly or indirectly from the purchase, ownership, or use of the items.

