

## POLARIS 2020 RZR Pro Lower Doors

**Thank you for choosing Rough Country for all your vehicle needs.**

Please read instructions before beginning installation. Check the kit hardware against the kit contents shown below. Be sure you have all needed parts and know where they go.

If question exist, please call us @1-800-222-7023. We will be happy to answer any questions concerning this product.

Check all fasteners for proper torque. Check to ensure for adequate clearance between all components.

Periodically check all hardware for tightness.

### Kit Contents:

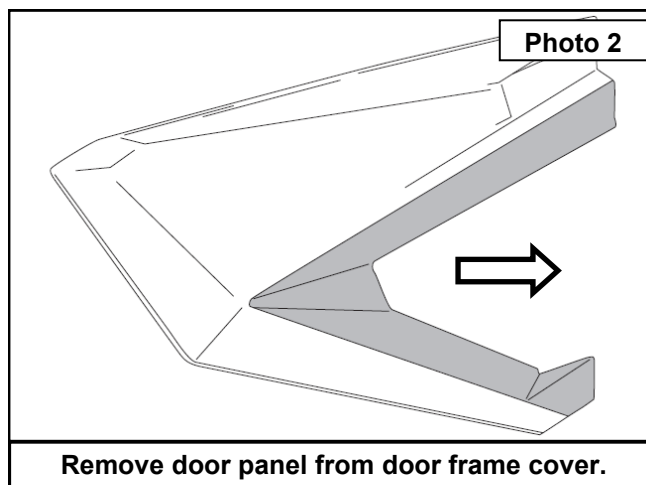
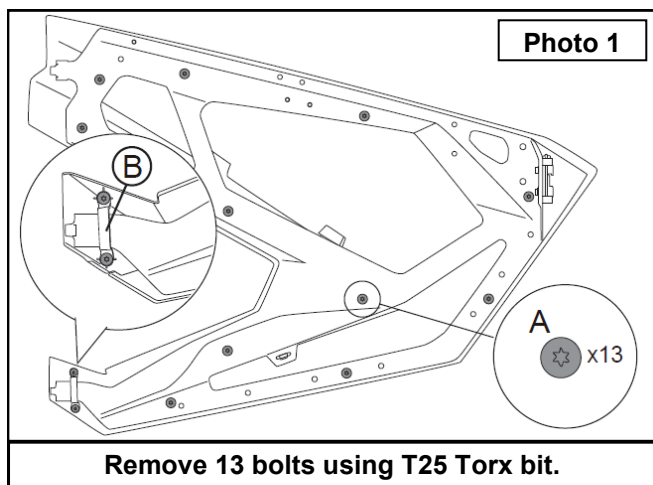
Dr Side Lower Door x1  
Pass Side Lower Door x1

### Tools Needed:

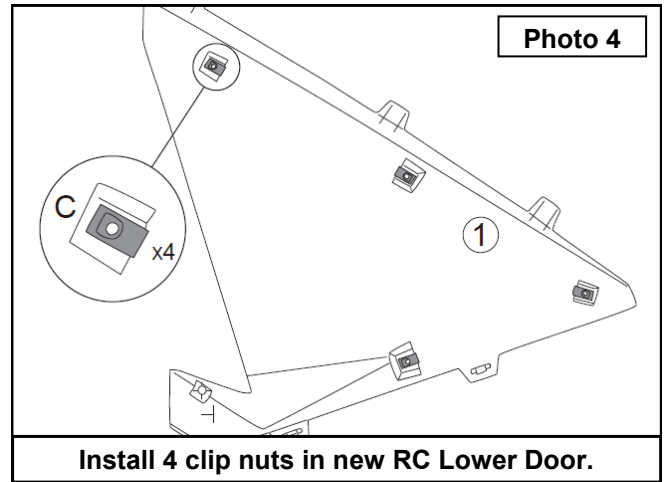
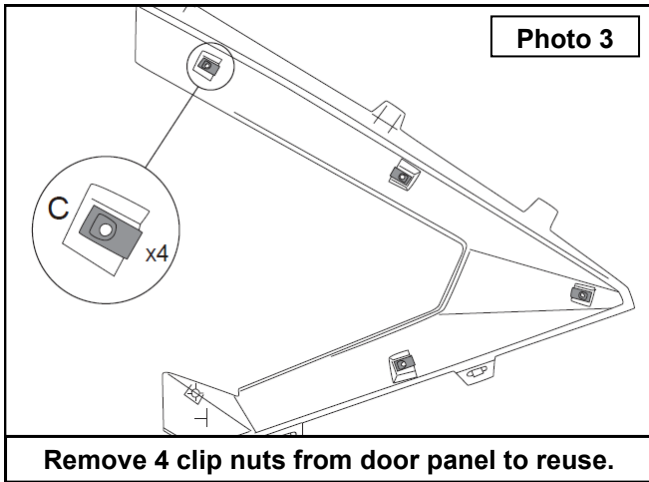
T25 Torx Bit

### INSTALLATION INSTRUCTONS

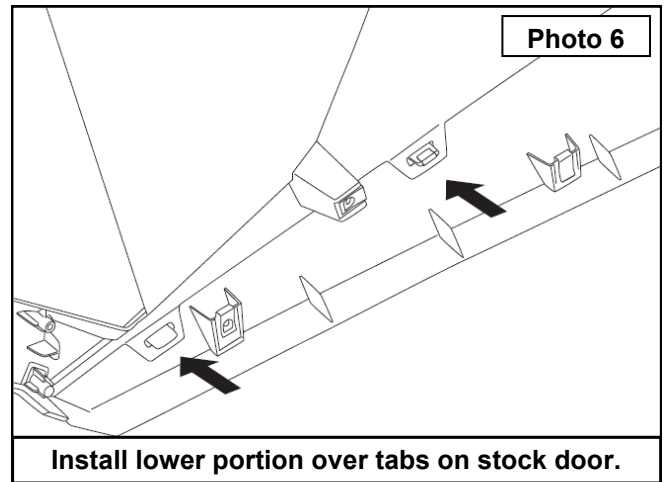
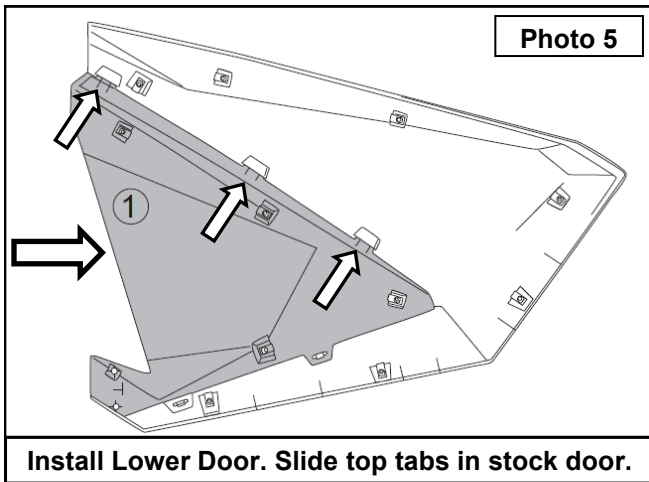
1. Remove the 13 bolts from the door frame cover using a T25 Torx bit. **See Photo 1.**
2. Remove the lower door panel from the door frame cover. **See Photo 2.**



3. Remove the 4 clip nuts from the lower door panel to reuse on the RC Lower Door. **See Photo 3.**
4. Install the 4 clip nuts to the new RC Lower Door. **See Photo 4.**



5. Install the RC Lower Door to the stock door frame cover. Slide the top tabs into the cut outs on the stock door and lower portion over the tabs on the stock door. **See Photo 5 - 6.**



6. Reinstall the 13 bolts to the door frame cover from **Photo 1.**
7. Repeat for other the other side of vehicle.

By purchasing any item sold by Rough Country, LLC, the buyer expressly warrants that he/she is in compliance with all applicable, State, and Local laws and regulations regarding the purchase, ownership, and use of the item. It shall be the buyers responsibility to comply with all Federal, State and Local laws governing the sales of any items listed, illustrated or sold. The buyer expressly agrees to indemnify and hold harmless Rough Country, LLC for all claims resulting directly or indirectly from the purchase, ownership, or use of the items.

