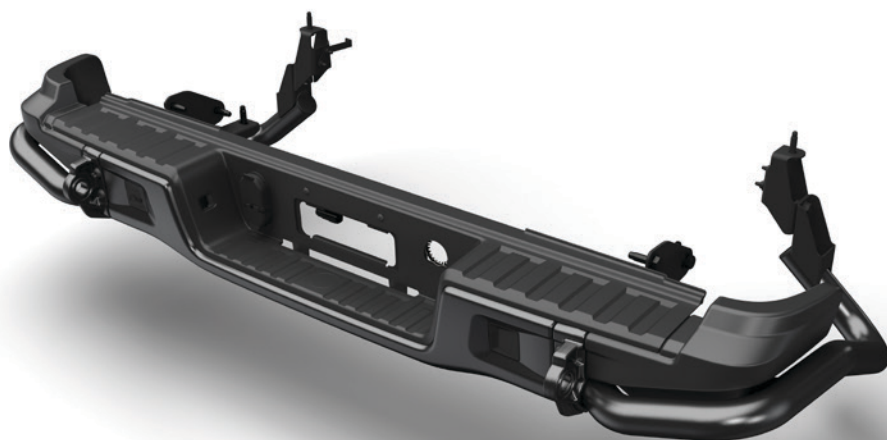




BISON REAR BUMPER

FOR CHEVY COLORADO



AEV30340AA
Last Updated: 07/01/19

INSTALLATION GUIDE



PLEASE READ BEFORE YOU START

To guarantee a quality installation, we recommend reading these instructions thoroughly before beginning any work. These instructions assume a certain amount of mechanical ability and are not written nor intended for someone not familiar with auto repair.

INCLUDED PARTS	QTY	REQUIRED TOOLS
Rear Bumper Assembly	1	Common Hand Tools
Frame Bracket RH	1	Drill and 25/64" Drill Bit
Frame Bracket LH	1	
Hardware Pack	1	

I. REMOVAL OF FACTORY BUMPER

1. Remove Factory Trailer plug (fig. 1).

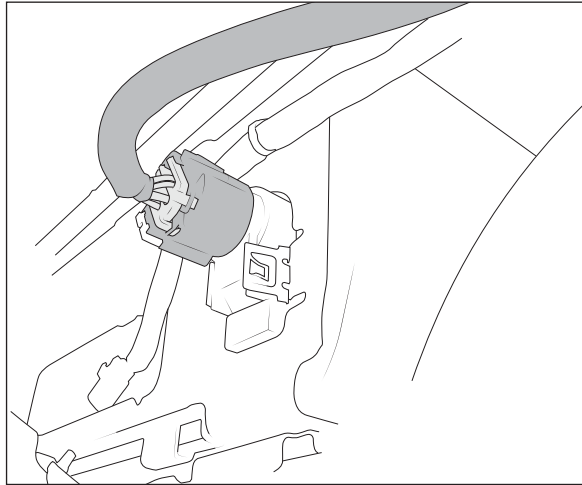


Figure 1

2. Unplug wiring to tailgate for backup camera (fig. 2).

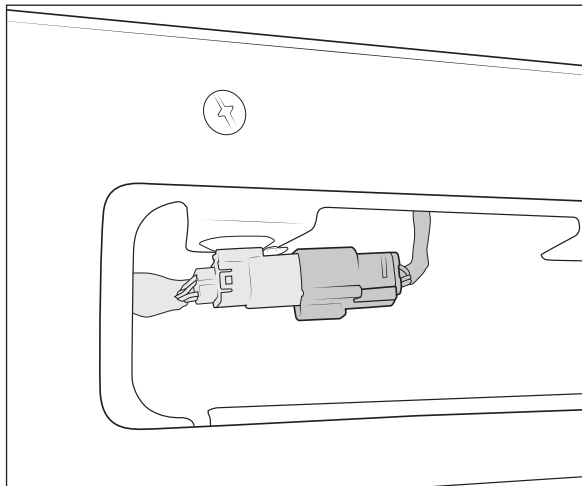


Figure 2

3. Unplug main connector on the inside of the LH frame rail (fig. 3).

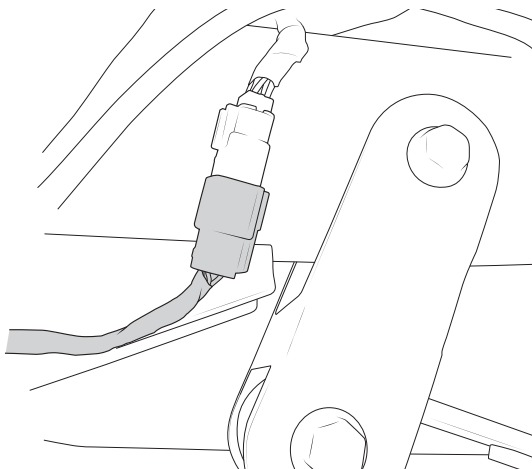


Figure 3

4. Remove 2 M8 bolts holding hitch to rear tire support and SAVE for re-use (fig. 4).

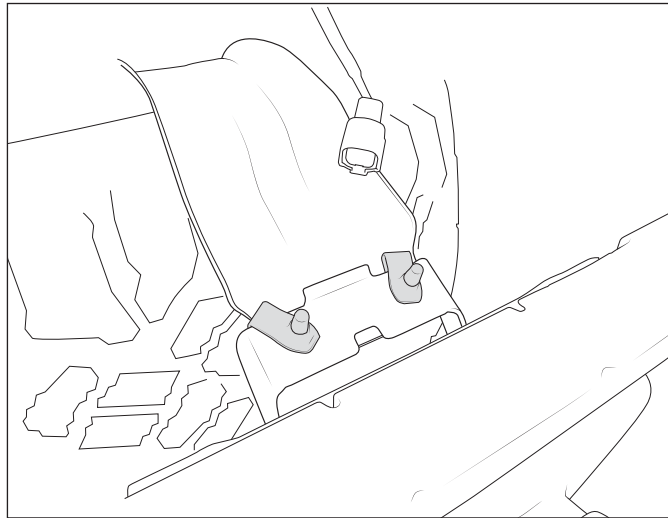


Figure 4

5. Remove 8 M14 bolts (4 each side) holding hitch and rear bumper to frame and SAVE (fig. 5).
NOTE: Be ready for the weight of the bumper!

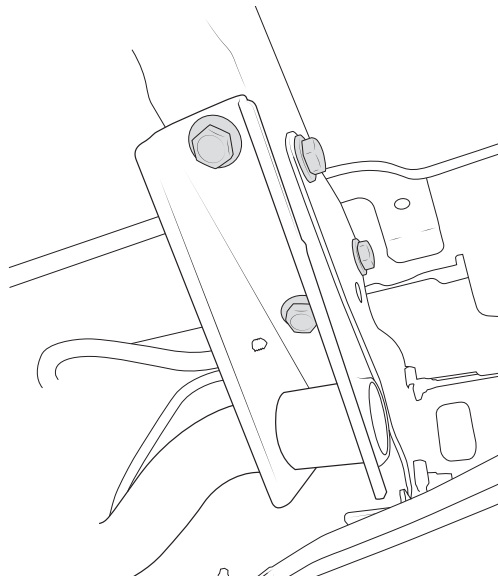


Figure 5

6. Set bumper on table or floor and separate Trailer hitch from factory bumper by sliding it off.

II. INSTALLATION

NOTE: If you are installing on anything other than 2019, remove factory wiring harness from the factory bumper and install it on the AEV bumper.

NOTE: If you are installing the AEV Rear Auxiliary Light Brackets (PN: 38060001), it is recommended to complete that installation before installing the Rear Bumper onto the vehicle.

1. Slide the trailer hitch onto new AEV assembly (fig. 6).

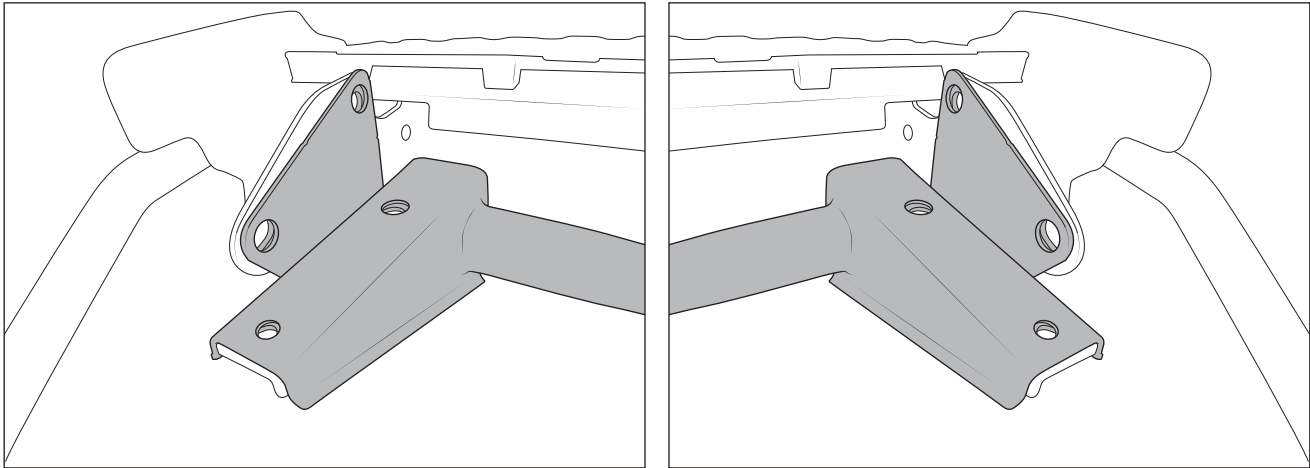


Figure 6

2. Align new spare tire tube and push until it clips in (fig. 7).

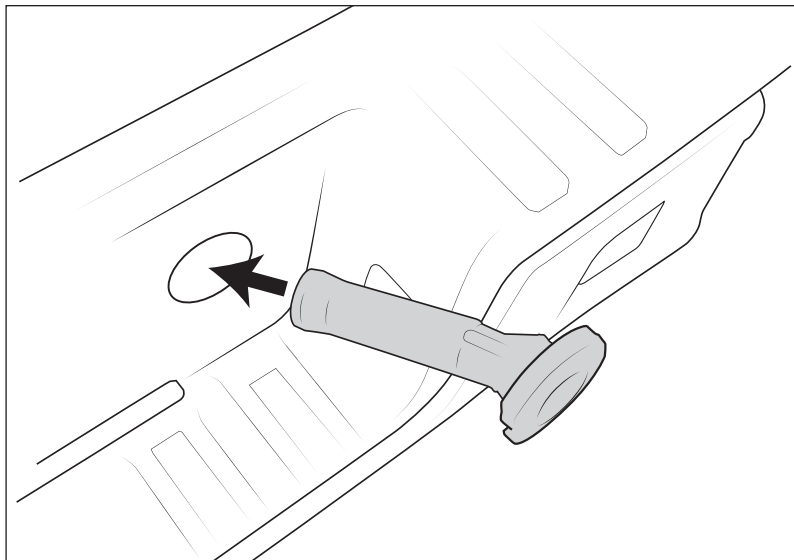


Figure 7

3. Install bumper mount brackets.

A. Remove rear bed mount bolts (fig 8).

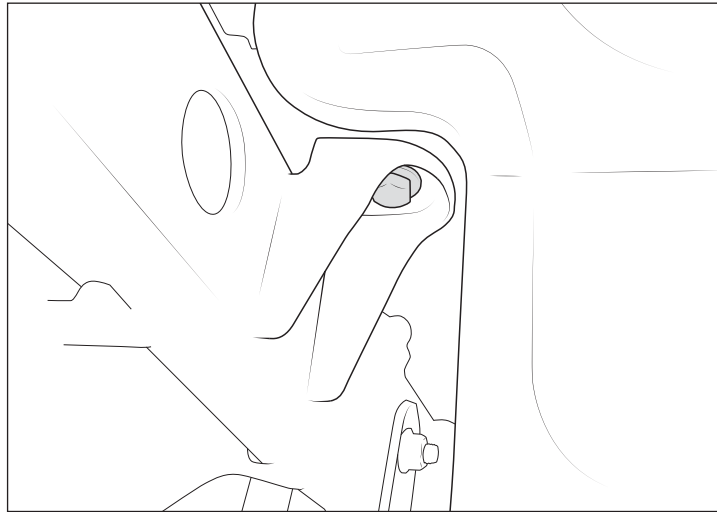


Figure 8

B. Position AEV Frame Brackets into place using the bed mount bolts and mark holes for drilling (fig. 9).

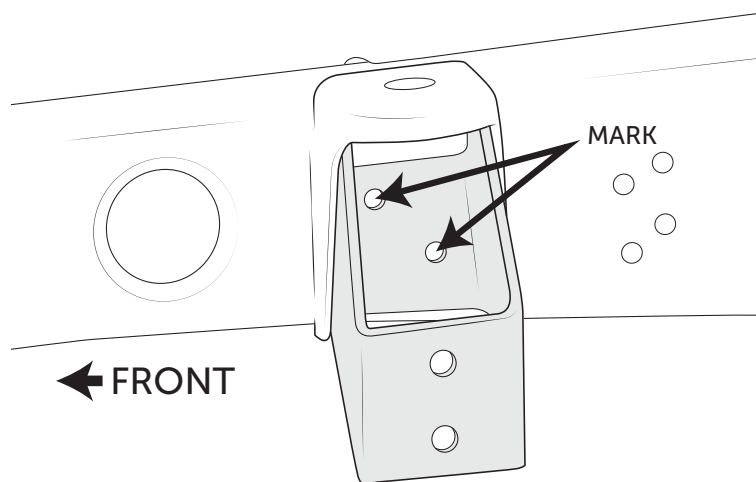


Figure 9: LH Side Shown

C. Remove the brackets and drill four 25/64" holes. Treat bare metal with a rust inhibitor.

- D. Install LH and RH brackets using 2 M8 Flag Nuts and 4 M8 Hex Bolts and the factory bed mount bolt (fig. 10).

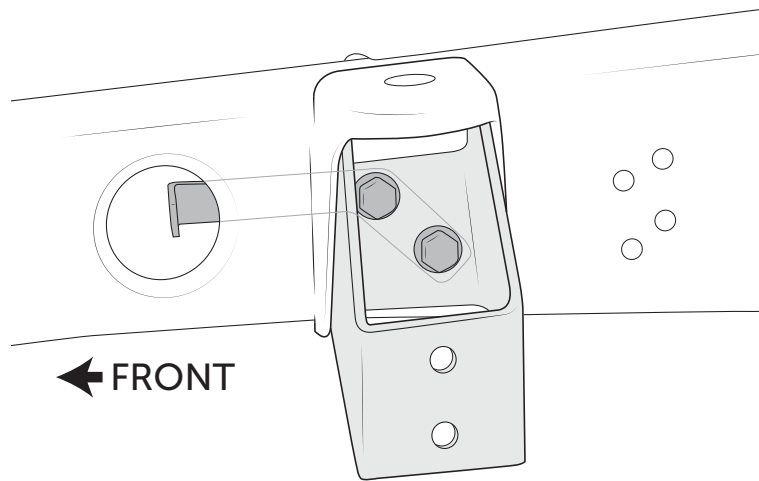


Figure 10: LH side shown

4. Lift the main bumper assembly into position.
 - A. Ensure spare tire support is above trailer hitch and the spare tire tube is properly aligned.
 - B. Start 2 M8 bolts removed earlier into tire support.
 - C. Start 4 M14 Bolts into bottom of frame rails (fig. 11).
 - D. Start 4 M14 Bolts into side of frame rails (fig. 11).

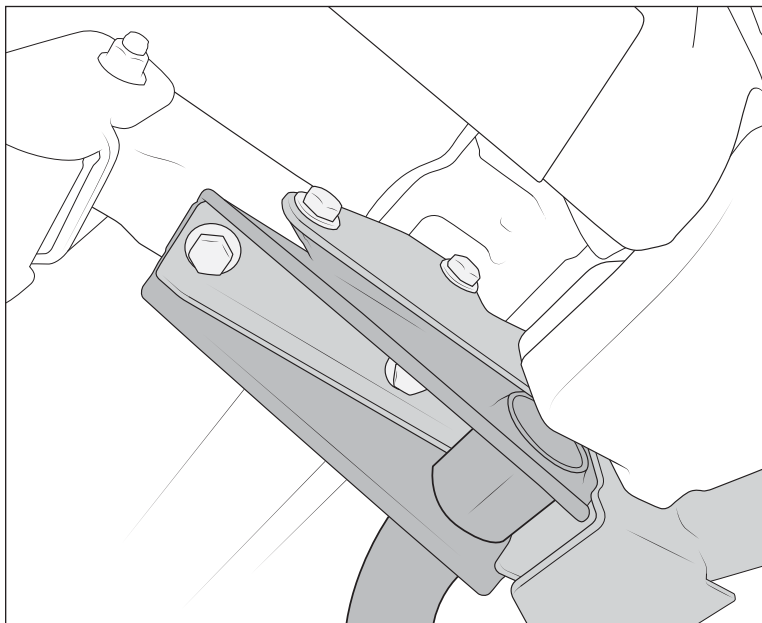


Figure 11: LH side shown

E. Start 4 supplied M12 Bolts into the AEV frame brackets to secure bumper tubes to frame (fig 12).

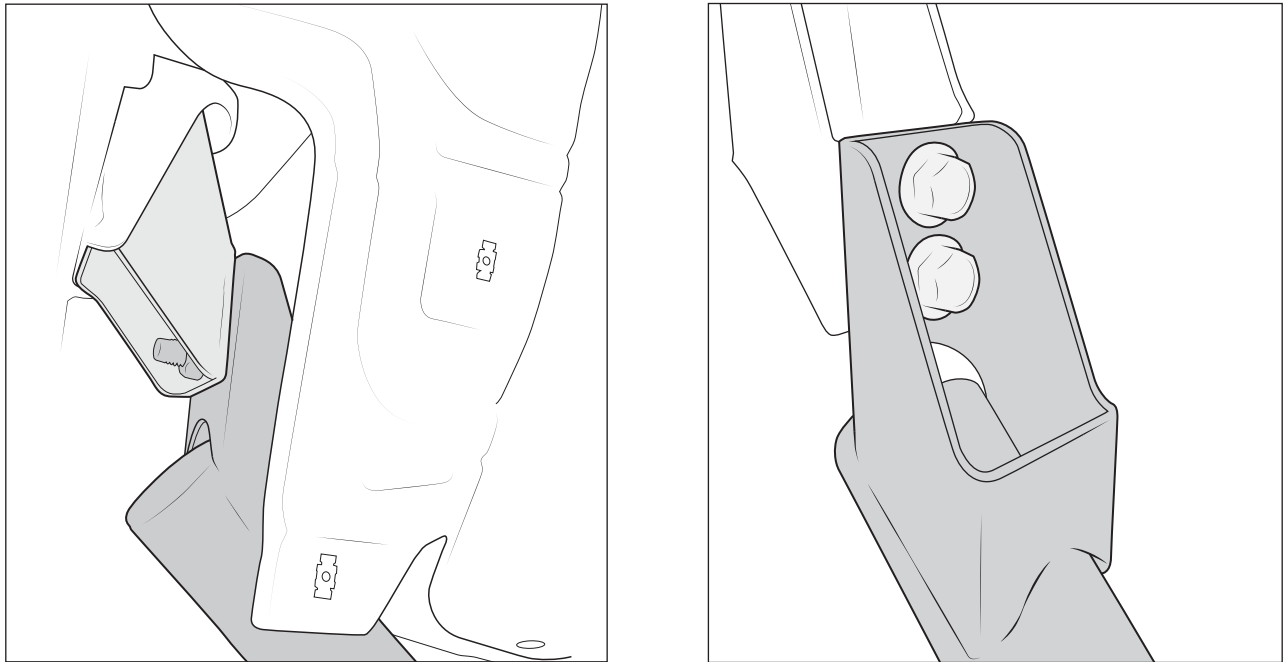


Figure 12

5. Tighten all hardware.
6. Reconnect wiring
 - A. Plug wiring to tailgate for backup camera (fig. 1).
 - B. Plug main connector on LH side of frame rail (fig. 3).
 - C. Install Factory Trailer plug (fig. 2).