



# Installation Instructions Hardtop Rack System

Vehicle Application:  
Jeep® JL Wrangler 2018- Current, Gladiator 2020-Current  
Part Number 41470

## Installation Tips

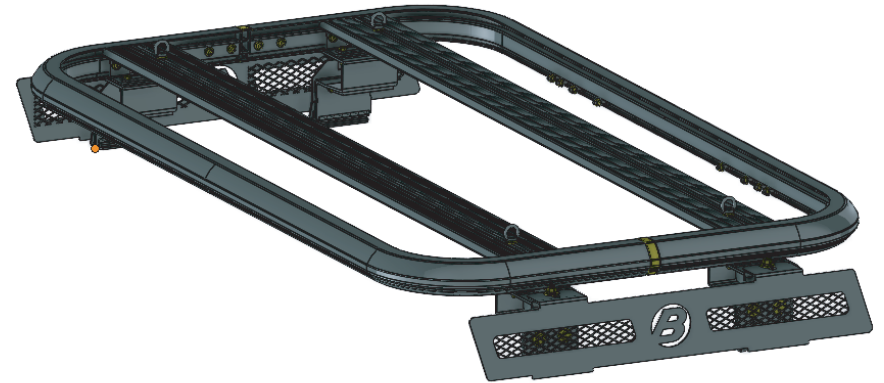
Before you begin installing your new Bestop Hardtop Rack System, please read all the instructions thoroughly.

**WARNING** The manufacturer strongly recommends that this product be professionally installed.

**WARNING** This product is designed primarily to enhance the appearance and comfort of the vehicle. Do not rely in any way on the components of this product to protect the occupants within the vehicle, or to protect against injury or death in the event of an accident. Never operate the vehicle in excess of manufacturer's specifications.

**CAUTION** Safety glasses should be worn at all times when installing this product.

**WEAR SEAT BELTS AT ALL TIMES**



### Tools



Safety Glasses



10mm and 13mm  
Wrench



Socket  
Wrench



10mm and 13mm  
Socket

### Installation Time

**1 00** 1 Hour

### Skill Level

1 2 3 4  
2 - Moderatly Easy

### Support

We're here to help! Go to:  
<https://www.bestop.com>  
and click on Need Help?



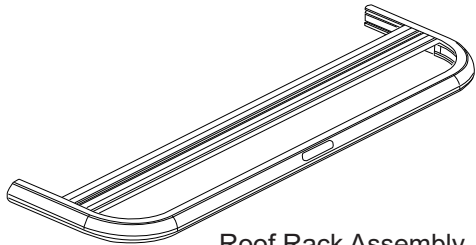
<https://www.bestop.com/video-library>



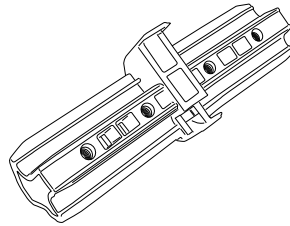
# Installation Instructions Hardtop Rack System

Vehicle Application:  
Jeep® JL Wrangler 2018- Current, Gladiator 2020-Current  
Part Number 41470

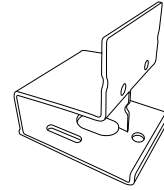
## Parts List



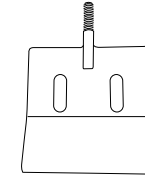
Roof Rack Assembly  
Part # 200407214  
Qty 2



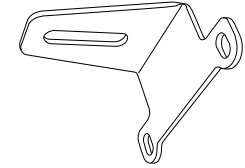
Plastic Connector  
Part # 200367498  
Qty 2



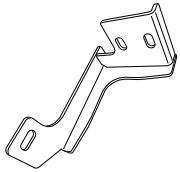
Rear Mounting Bracket  
Part # 200380293  
Qty 4



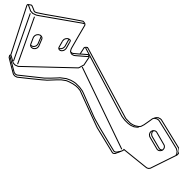
Clamping Bracket  
Part # 200380304  
Qty 4



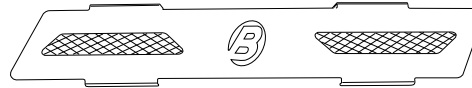
Light Mounting Bracket  
Part # 200367581  
Qty 4



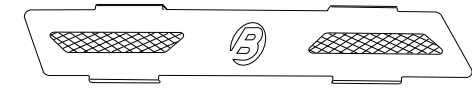
Light Bar Mounting  
Bracket Right Side  
Part # 200389126  
Qty 1



Light Bar Mounting  
Bracket Left Side  
Part # 200389125  
Qty 1



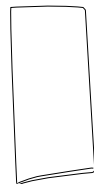
Side Plate Right  
Part # 200407398  
Qty 1



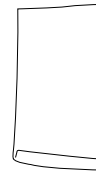
Side Plate Left  
Part # 200407320  
Qty 1



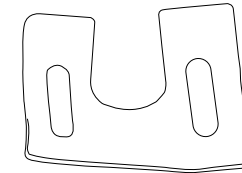
Rubber Strip  
Part # 200417242  
Qty 4



Foam Tape 3mm Thick  
Part # 200352579  
Qty 4



Foam Tape 5mm Thick  
Part # 200243048  
Qty 4



Foam Tape for Mounting Brackets  
Part # 200370494  
Qty 4



# Installation Instructions Hardtop Rack System

Vehicle Application:  
Jeep® JL Wrangler 2018- Current, Gladiator 2020-Current  
Part Number 41470

## Parts List



M6 Tie Down Ring  
Part # 200406748  
Qty 4



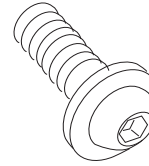
M6 Split Washer  
Part # 3000129  
Qty 4



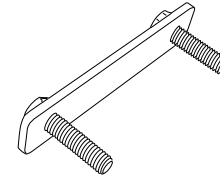
M6 Flat Washer  
Part # 3000226  
Qty 4



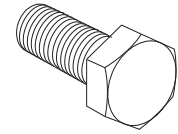
M6 Nut Plate  
Part # 200389904  
Qty 4



Combo Bolt M6  
Part # 3006267  
Qty 8



M6 T-Bolt  
Part # 200401267  
Qty 4



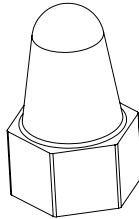
Bolt M8 X 35mm  
Part # 3002609  
Qty 4



\*M8 HEX Nut  
Part # 3001481  
Qty 4



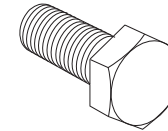
M6 Split Washer  
Part # 3000136  
Qty 6



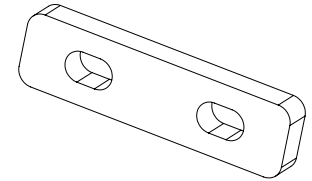
M8 Plastic Nut  
Part # 200415696  
Qty 4



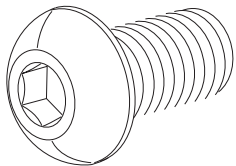
M8 Split Washer  
Part # 300147  
Qty 14



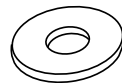
Bolt M8 x 25mm  
Part # 3002591  
Qty 4



Spacer  
Part # 200415823  
Qty 2



Button Head Bolt M8  
Part # 3000766  
Qty 2



M8 Flat Washer  
Part # 3000238  
Qty 14



M6 Flat Washer  
Part # 3000222  
Qty 8



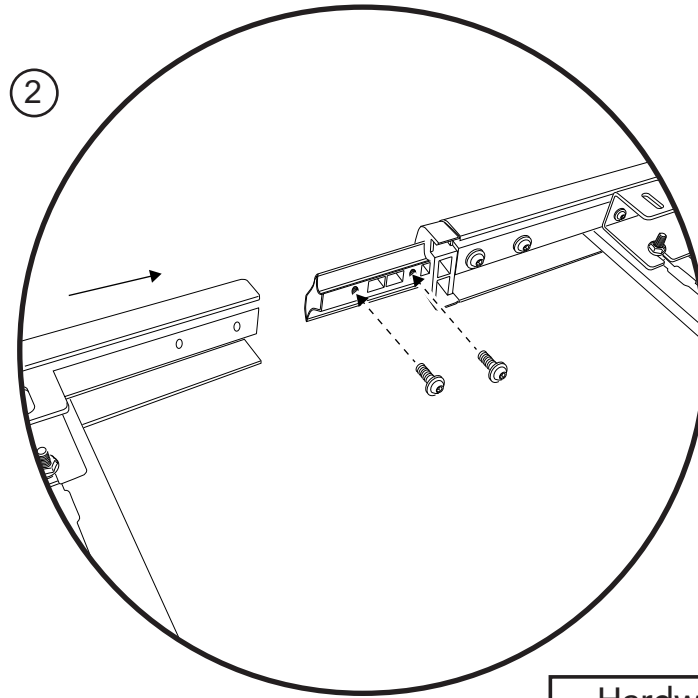
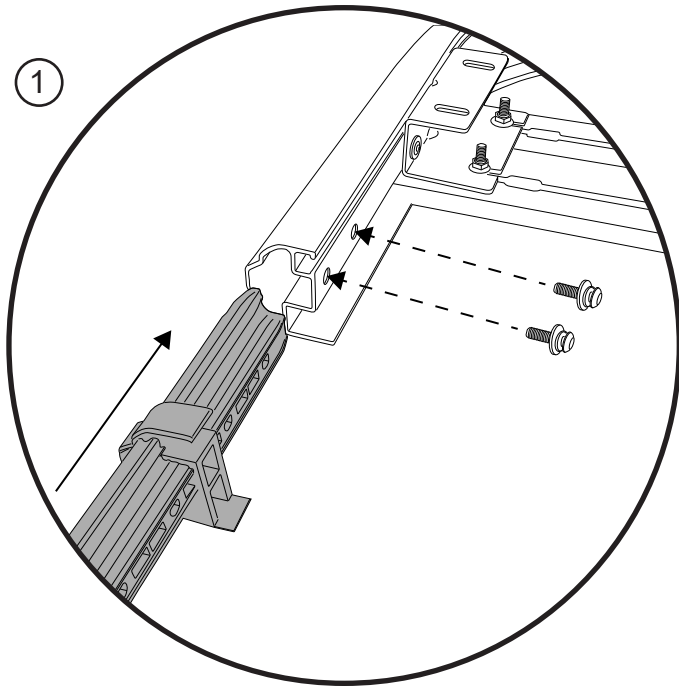
M6 Hex Nut  
Part # 3001471  
Qty 8



4mm Allen Wrench  
Part # 3000062  
Qty 1



5mm Allen Wrench  
Part # 3000070  
Qty 1

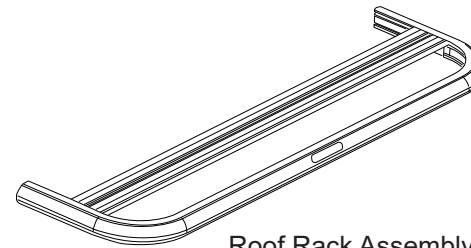


Tools

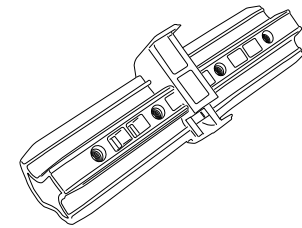


4mm Allen Wrench  
Part # 3000062  
Qty 1

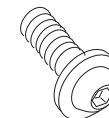
Hardware



Roof Rack Assembly  
Part # 200407214  
Qty 2

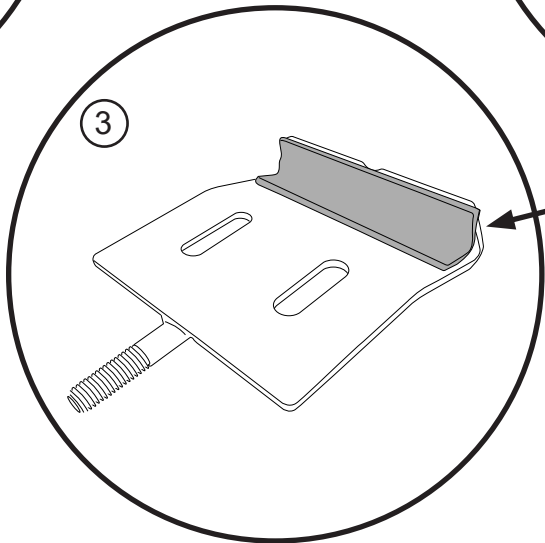
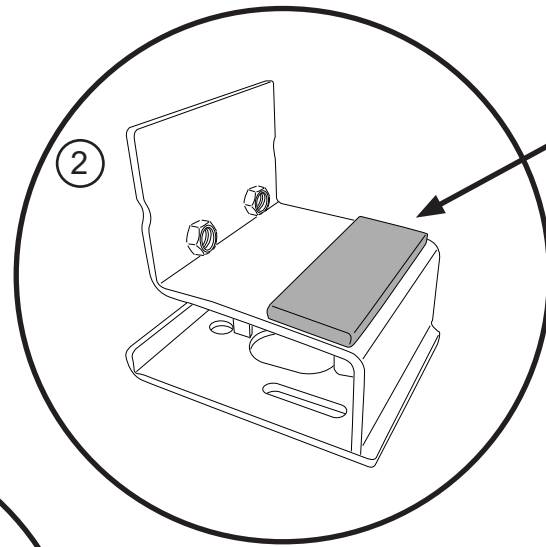
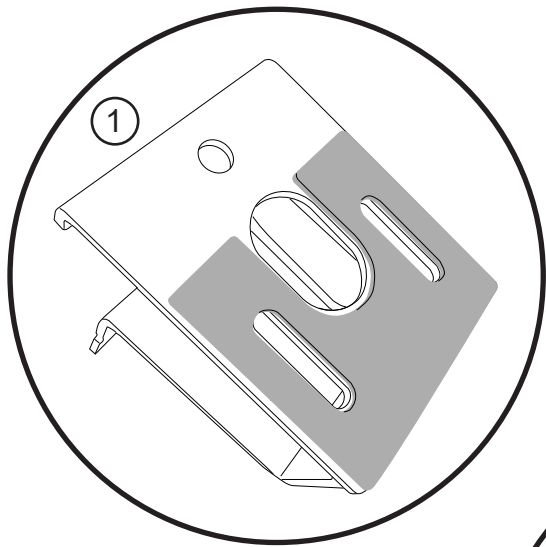


Plastic Connector  
Part # 200367498  
Qty 2



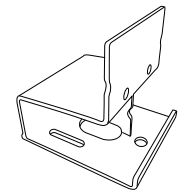
Combo Bolt M6  
Part # 3006267  
Qty 8

- ① Insert the Plastic Connectors into one of the Roof Rack Assemblies and install two (2) M6 Combo Bolts. (Both Sides)
- ② Attach the other Roof Rack Assembly onto the Plastic Connectors. Use two (2) M6 Combo Bolts (Per side) to secure the Assemblies together.



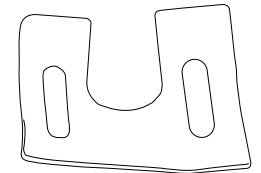
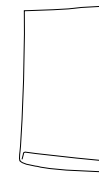
5mm Foam

Hardware



Mounting Bracket  
Part # 200380293  
Qty 4

3mm Foam



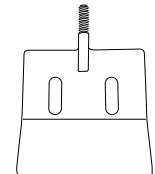
Foam Tape 5mm Thick  
Part # 200243048  
Qty 4

Foam Tape for Rear  
Mounting Brackets  
Part # 200370494  
Qty 4

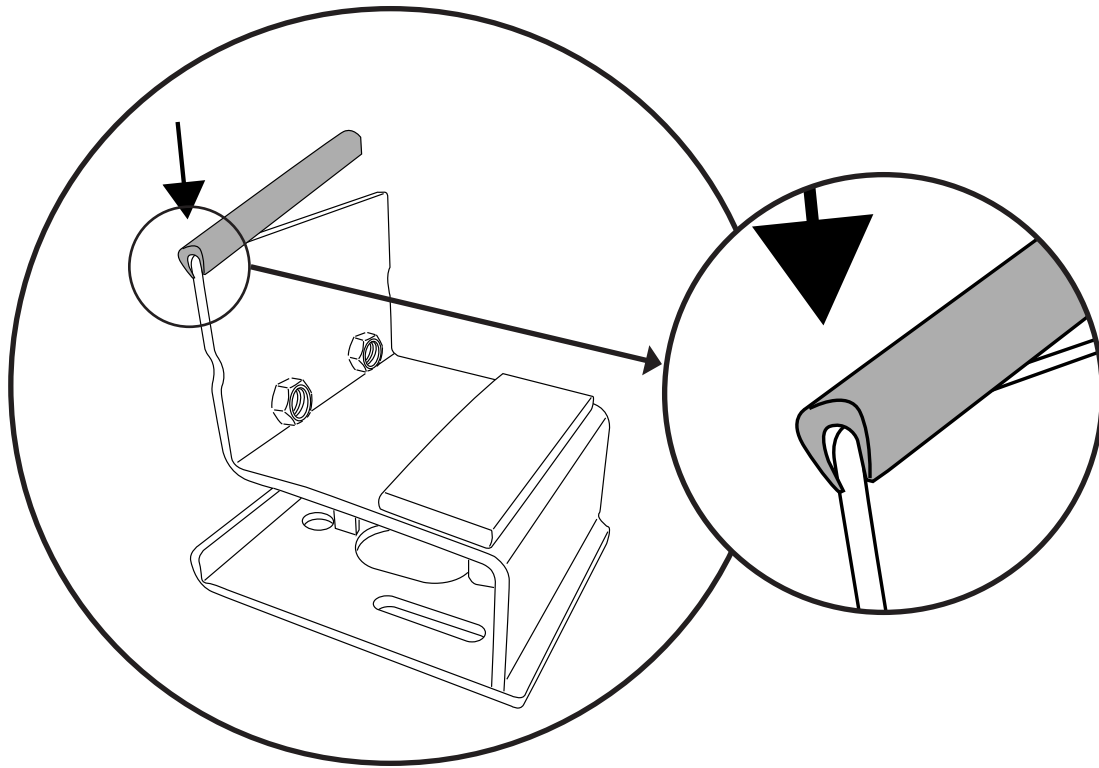
- ① Using the Foam Tape for Rear Mounting Bracket, Peel the backing off of the foam and place it (adhesive side down) onto the 4 Rear Mounting Brackets.
- ② Using the 5mm Foam Tape, Peel the backing off of the foam and place it (adhesive side down) onto the 4 Rear Mounting Brackets.
- ③ Using the 3mm Foam Tape, Peel the backing off of the foam and place it (adhesive side down) onto the 4 Clamping Brackets.



Foam Tape 3mm Thick  
Part # 200370494  
Qty 4



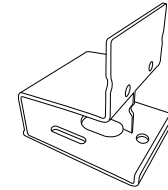
Clamping Bracket  
Part # 200380304  
Qty 4



Hardware



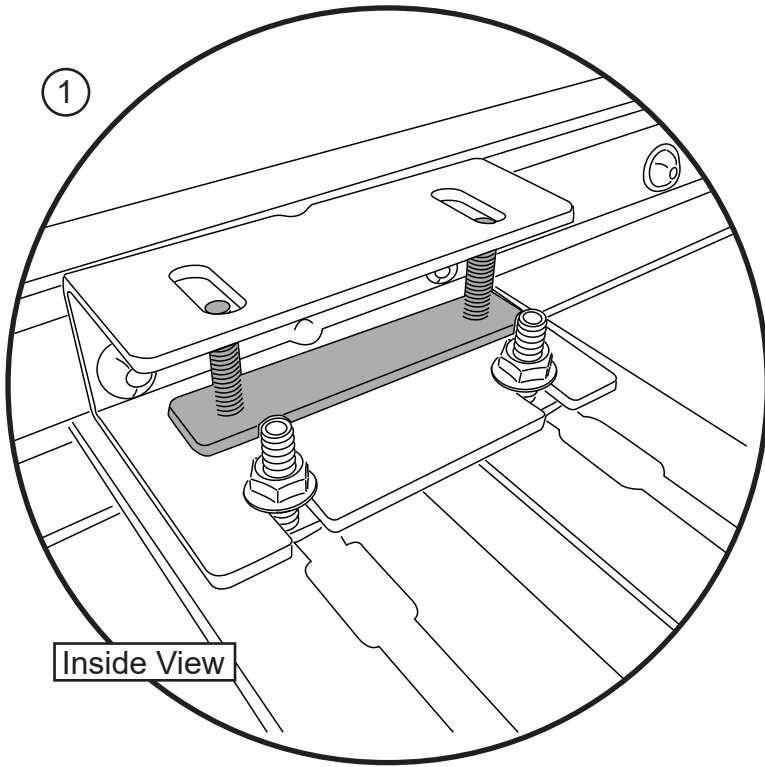
Rubber Strip  
Part # 200417243  
Qty 4



Mounting Bracket  
Part # 200380293  
Qty 4

Start at one end of the Mounting Bracket, Press the Rubber Strip along the edge.

Repeat on all 4 Brackets.

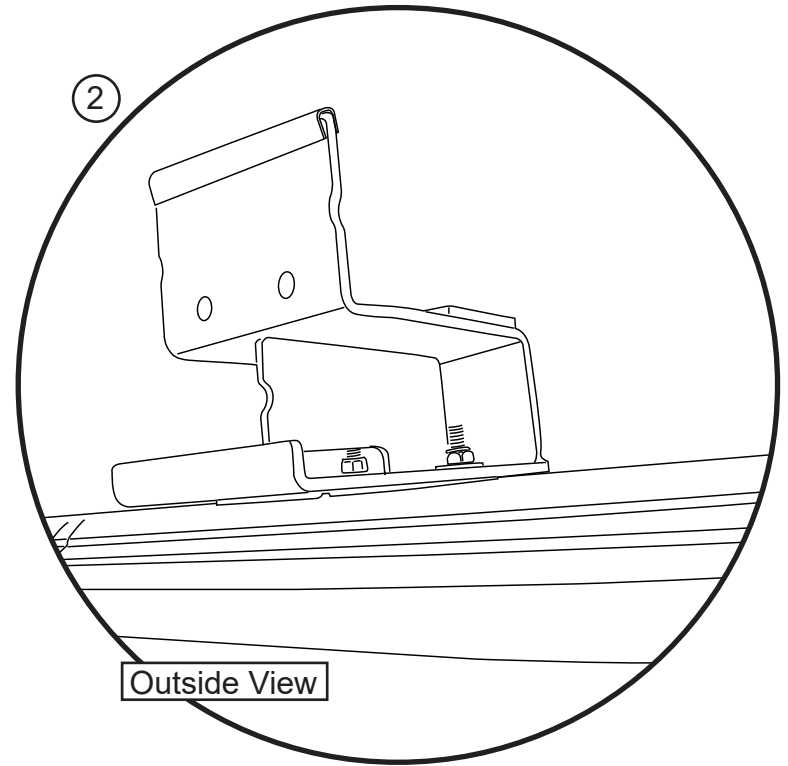


Inside View

Tools



10mm Wrench



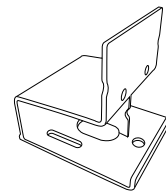
Outside View

① Turn rack over on it's back. Slide the T-Bolt onto the bracket. (Bracket installed at the factory)

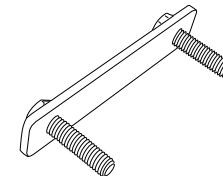
② Lift the T-Bolt up, set the Mounting Bracket over the Bolts then place 2 M6 washers and 2 M6 Lock nuts on the T-Bolts. Do not tighten these at this time.

Repeat this step on all 4 brackets.

Hardware



Rear Mounting Bracket  
Part # 200380293  
Qty 4



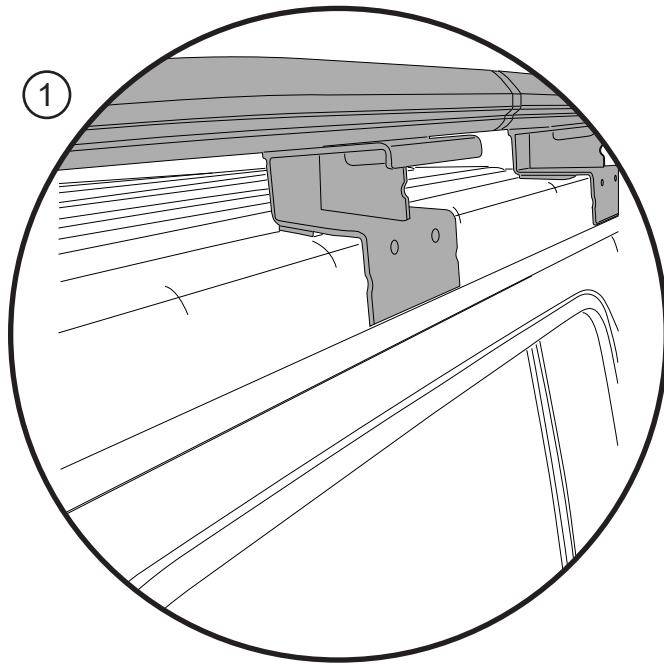
M6 T-Bolt  
Part # 200401267  
Qty 4



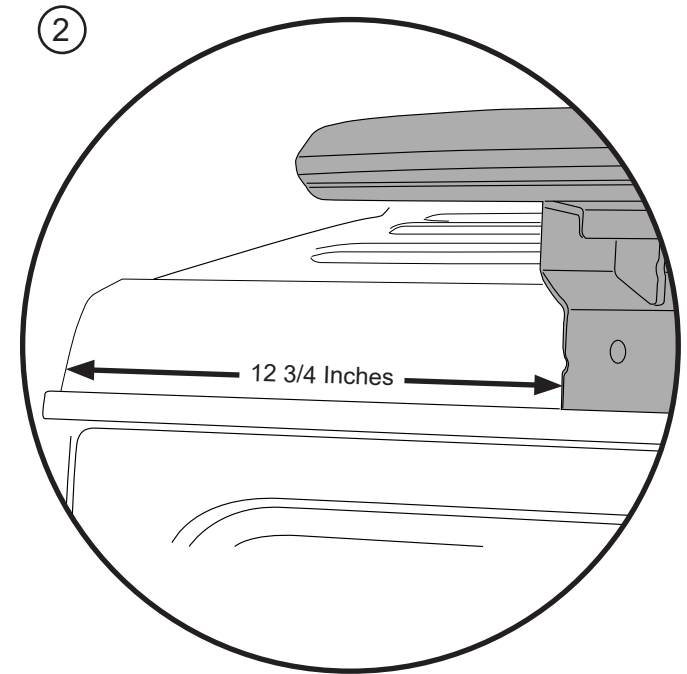
M6 Flat Washer  
Part # 3000226  
Qty 8



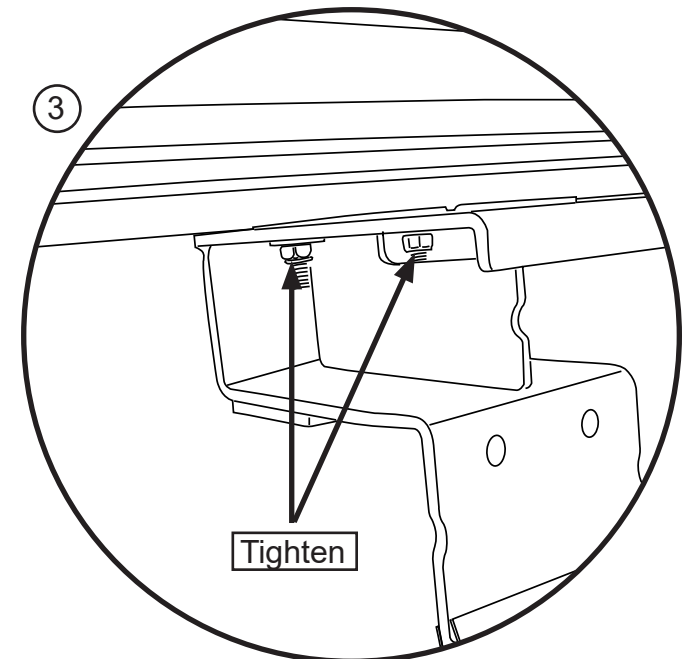
M6 Lock Nut  
Part # 3001471  
Qty 8

**Tools**

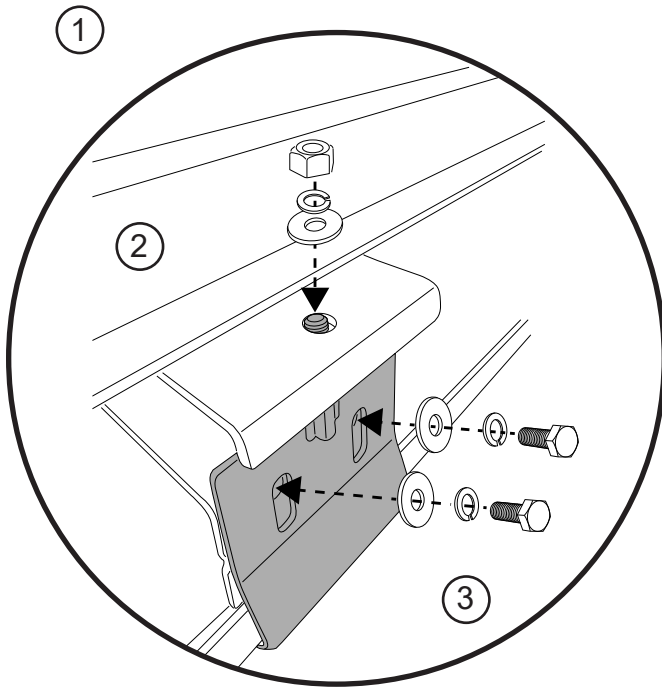
10mm Wrench



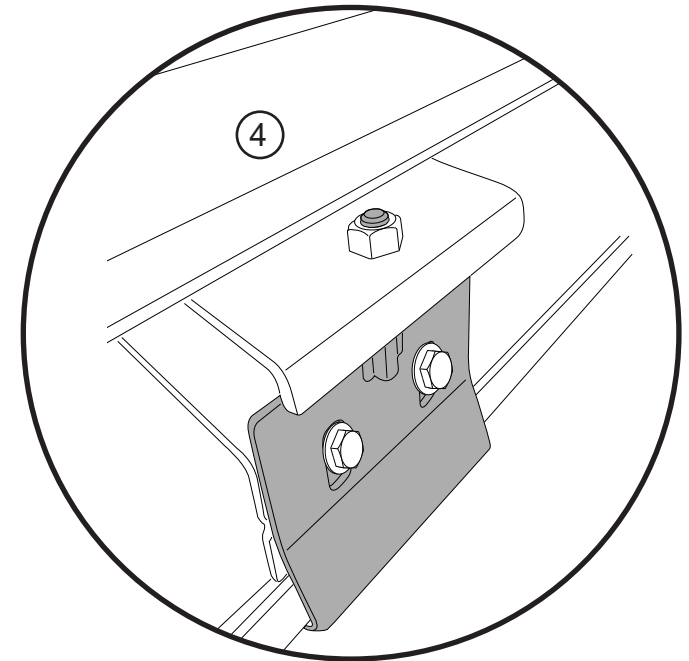
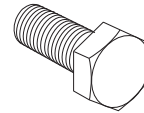
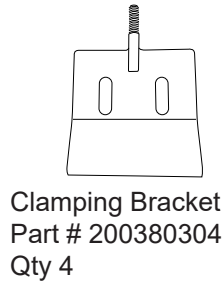
- ① With Help, Turn the Rack back over and place it on the vehicle. Make sure the end of the bracket with the Rubber Strip in in the drip rail of the hardtop.
- ② Make sure the front edge of the Roof Rack is 12 3/4 inches from the front side edge of the hard top.
- ③ Center the rack (Side to Side) then tighten the M6 nuts on the T-Bolts.







Hardware



- ① Place the Clamping Bracket onto the Mounting Bracket with the hook of the Clamping bracket under the drip rail of the hardtop, with the stud going through the top hole in the Mounting Bracket.
- ② Loosely place an M8 flat washer, M8 Split washer and M8 Nut on the stud of the Clamping Bracket.
- ③ Loosely place two M8 flat washers, M8 Split washers and M8 x 25mm Bolts through the slots in the Clamping Bracket.
- ④ Tighten the M8 Nut on the top of the Clamping Bracket then tighten the M8 x 25mm Bolts.
- ⑤ Loosen the M8 Nut from the Clamping Brackets.

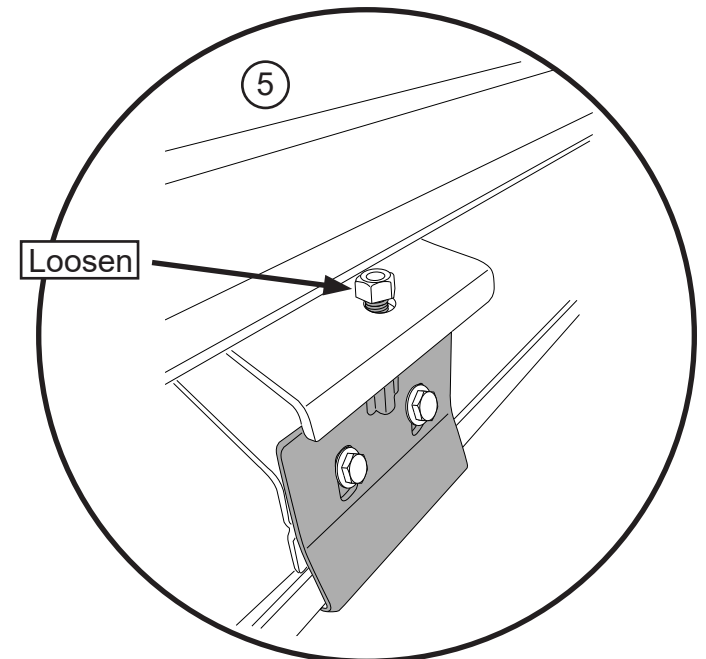


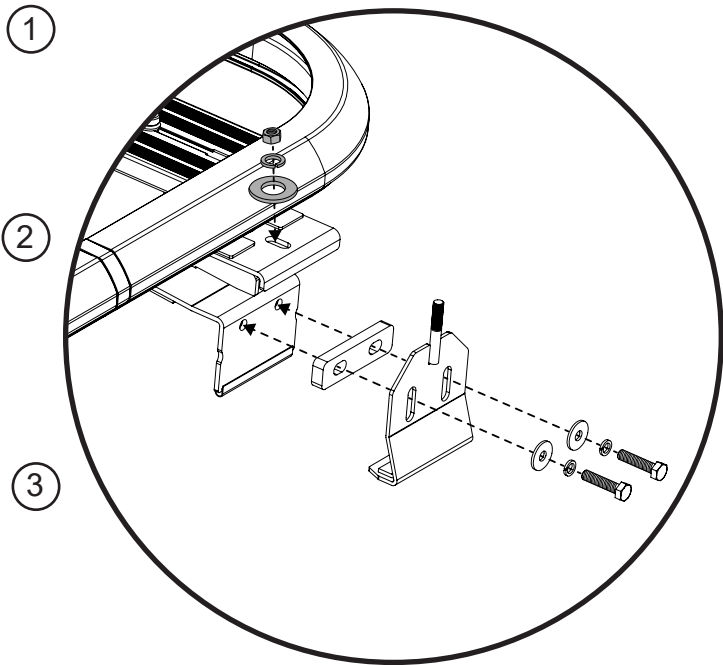
M8 Split Washer  
Part # 300147  
Qty 6

Tools

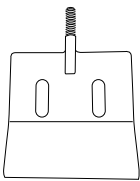
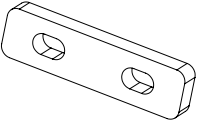

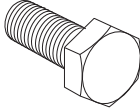


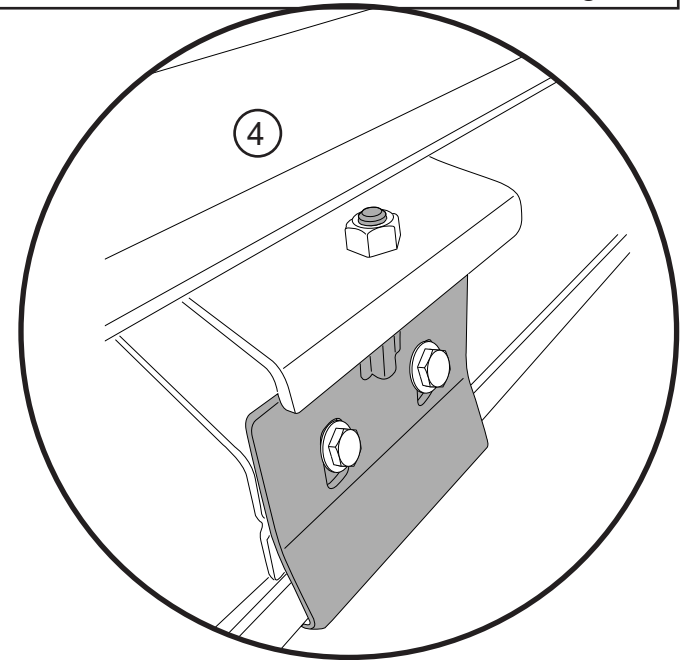
13mm Wrench





**Hardware**

-  Clamping Bracket  
Part # 200380304  
Qty 4
-  Spacer  
Part # 200415823  
Qty 2
-  \*M8 Nut  
Part # 3001481  
Qty 2
-  Bolt M8 X 35mm  
Part # 3002609  
Qty 4



- ① Place the Clamping Bracket and Spacer onto the Mounting Bracket with the hook of the Clamping bracket under the drip rail of the hardtop, with the stud going through the top hole in the Mounting Bracket.
- ② Loosely place an M8 flat washer, M8 Split washer and M8 Nut on the stud of the Clamping Bracket.
- ③ Loosely place two M8 flat washers, M8 Split washers and M8 x 35mm Bolts through the slots in the Clamping Bracket and Spacer.
- ④ Tighten the M8 Nut on the top of the Clamping Bracket then tighten the M8 x 25mm Bolts.
- ⑤ Loosen the M8 Nut from the Clamping Brackets.



M8 Flat Washer  
Part # 3000238  
Qty 6

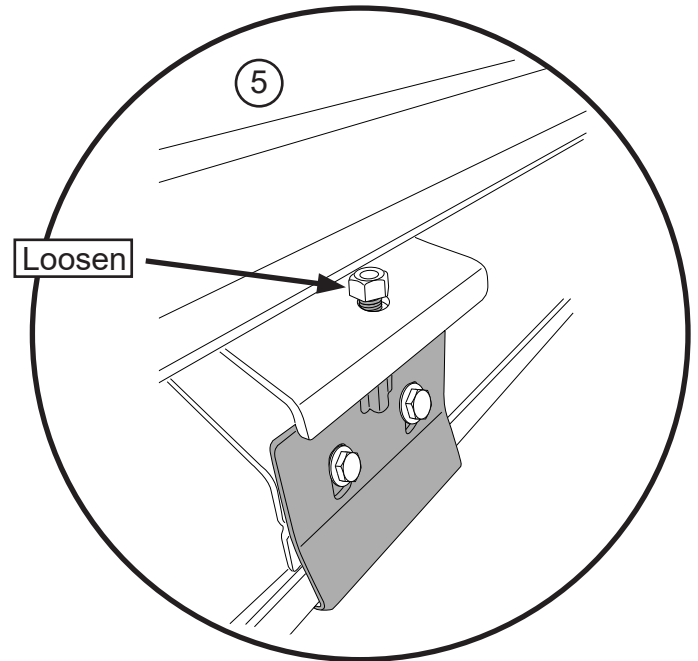


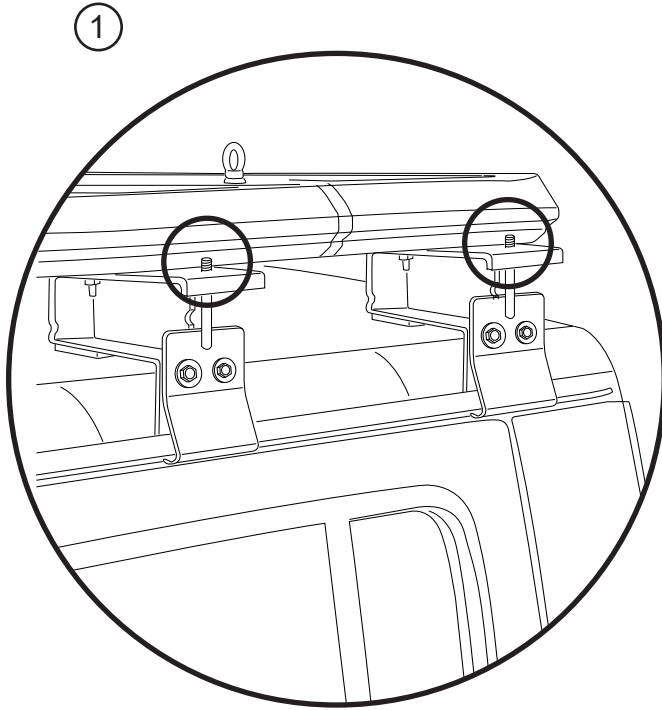
M8 Split Washer  
Part # 300147  
Qty 6

**Tools**



13mm Wrench

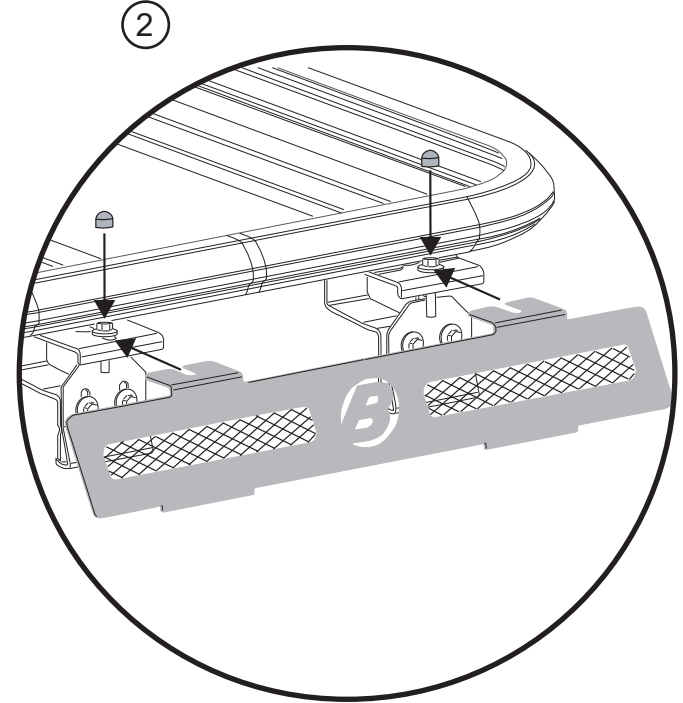




Tools



13mm Wrench



① Slide the Left Side Plate on the Clamping Bracket studs below the M8 Nuts.

② Secure The Side Plate with the M8 Nuts used in Sections 6 and 7 then put the M8 Rubber Nuts on top of the M8 Lock Nuts.

Repeat these steps on the Right side of the vehicle.

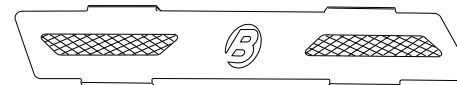
Hardware



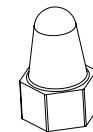
Side Plate Right  
Part # 200407320  
Qty 1



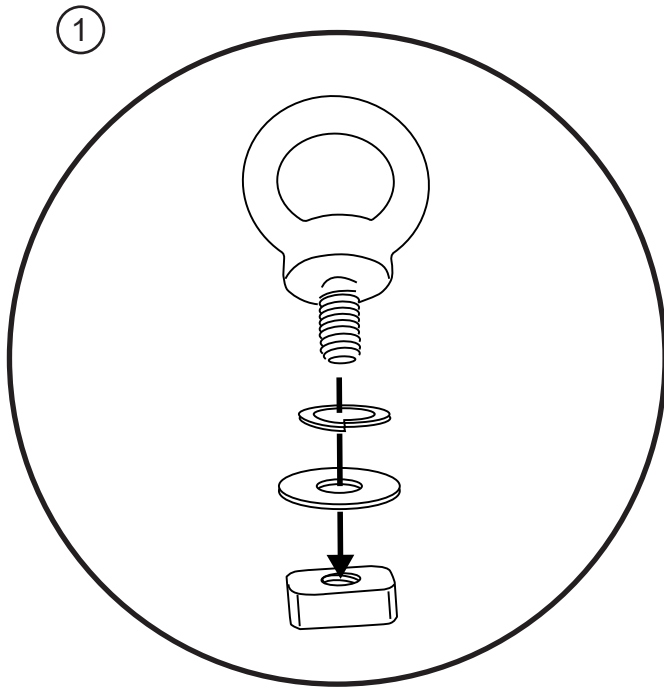
\*M8 Hex Nut  
Part # 3001481  
Qty 4





Side Plate Left  
Part # 200407398  
Qty 1





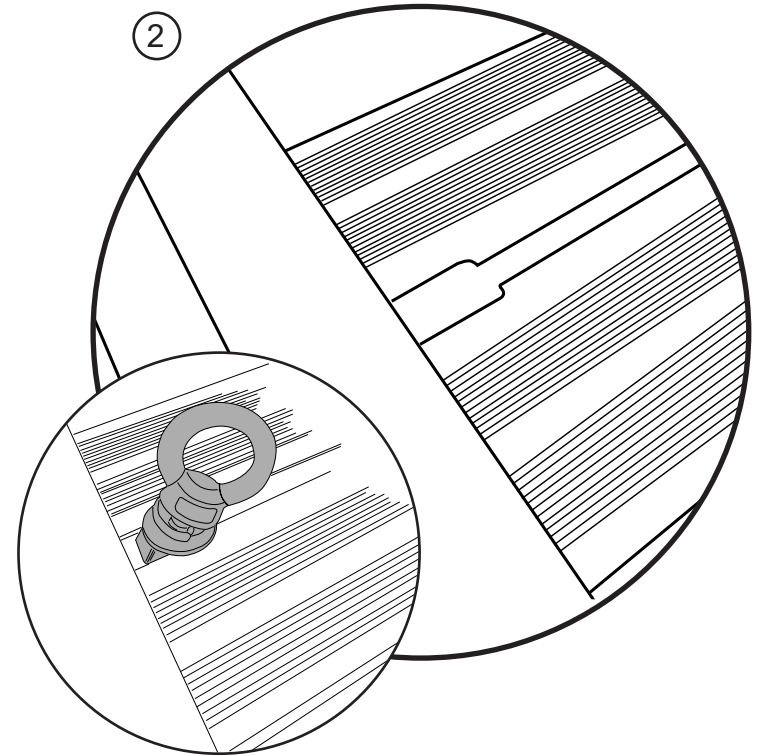
M8 Plastic Nut  
Part # 200415696  
Qty 4



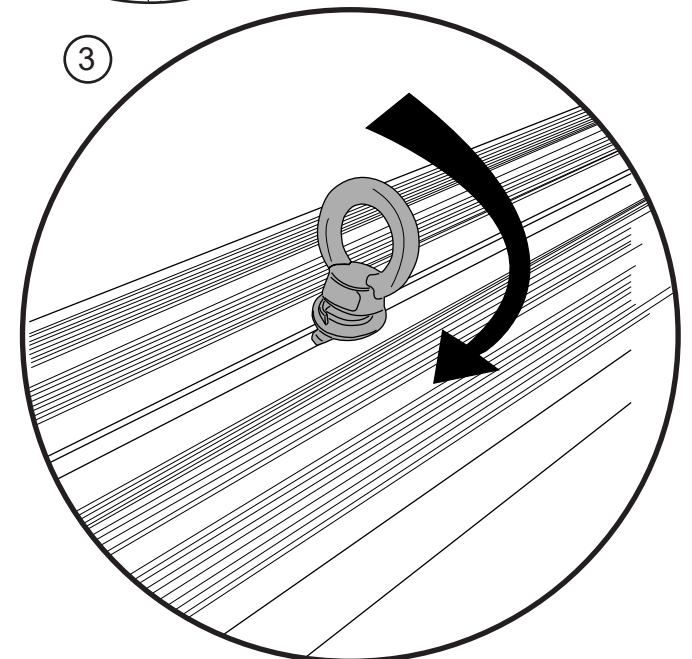
Hardware

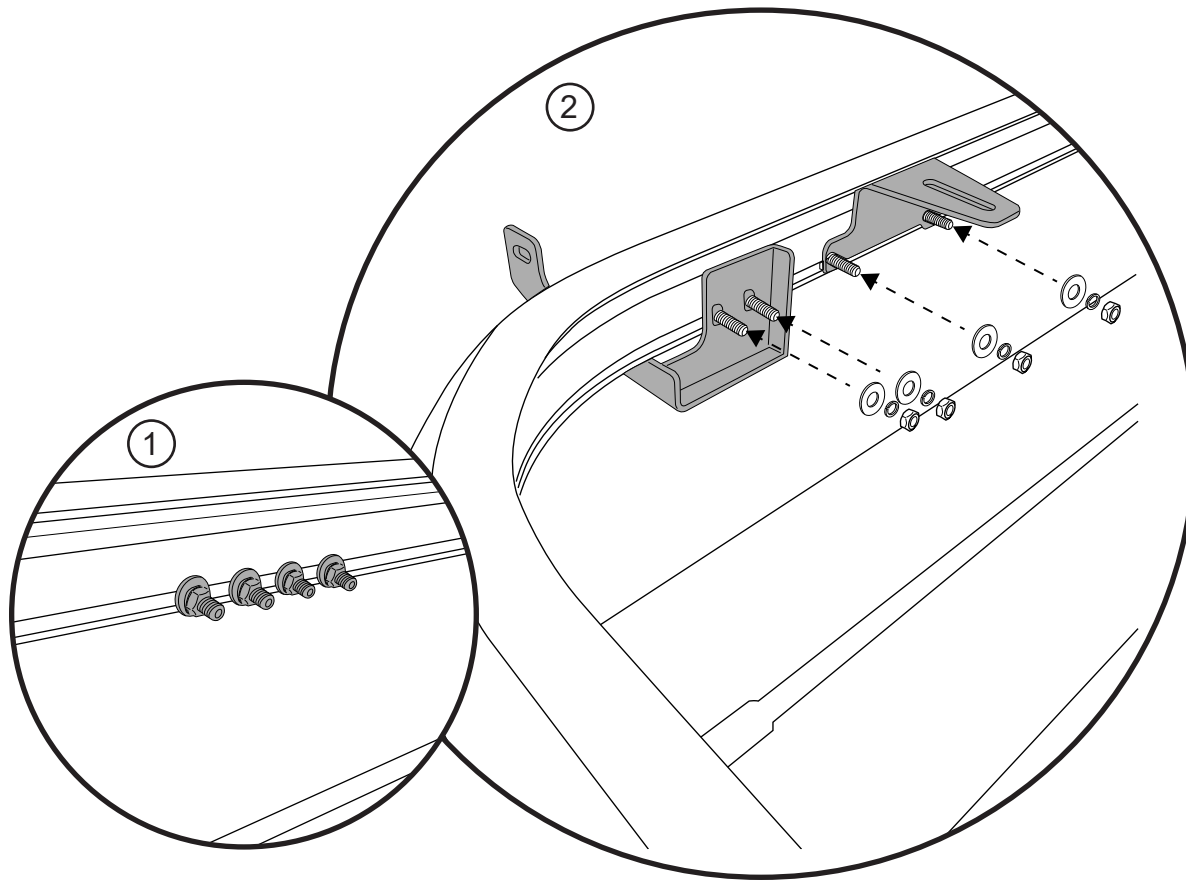

  
 M6 Tie Down Ring Part # 200406748 Qty 4  
 M6 Split Washer Part # 3000129 Qty 4


  
 M6 Flat Washer Part # 3000226 Qty 4  
 M6 Nut Plate Part # 200389904 Qty 4

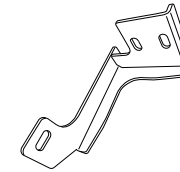


- ① Assemble the Tie Down Ring, M6 Split Washer, M6 Flat Washer and the M6 Nut Plate. Do not tighten.
- ② Place the M6 Nut Plate into the slot located at the outboard edge of the Cross Rails.
- ③ Slide the Tie Down Ring to the desired position then rotate it clockwise to tighten it.

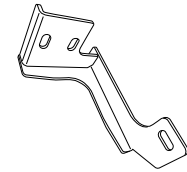




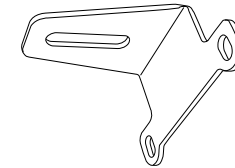
Hardware



Light Bar Mounting Bracket Right Side  
Part # 200389126  
Qty 1

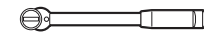


Light Bar Mounting Bracket Left Side  
Part # 200389125  
Qty 1



Light Mounting Bracket  
Part # 200367581  
Qty 4

Tools



Socket Wrench



10mm Socket

- ① Remove a Nut, Lockwasher and Flat Washer from the bolts located in the center of the Rack Assemblies then slide them down the rail to the location for the Light brackets
- ② Place the Light Bar Mounting Bracket or Light mounting Bracket over the studs as shown in Figure 2 then replace the Flat Washer, Split Washer and the Nut.





Baja Designs

Recommended Upgrade



Baja Designs  
S8 40 Inch LED Light Bar  
SKU  
704003



## Warranty Information

Vehicle Application:  
Jeep® JL Wrangler 2018- Current, Gladiator 2020-Current  
Part Number 41470

### WHAT BESTOP WARRANTS

Subject to the terms and conditions of sale, including any terms and conditions set forth by Bestop, Inc. (“Bestop” or “us” or “we”) in our then-current terms of sale on our website (collectively, the “Terms”), Bestop represents and warrants that: the covered products listed in the “Covered Products and Warranty Periods” section (a “Product”) will substantially be free from defects in materials and workmanship for the specified warranty periods set forth in that section.

### THE WARRANTY IS LIMITED AND CONDITIONAL

This warranty applies to the original purchaser of the Product only. The warranty is valid only as long as the original retail purchaser owns the vehicle upon which the Product is installed. The warranty expires should the Product be removed from the original vehicle or if the original vehicle is transferred to another owner. This warranty is not transferable or assignable. The warranty does not apply to Product bought from auction-style or price-bid websites.

THE LIMITED WARRANTY AND STATED REMEDIES ARE SOLE AND EXCLUSIVE AND IN LIEU OF ALL OTHER WARRANTIES AND REMEDIES, AND COMPANY EXPRESSLY DISCLAIMS ALL IMPLIED OR STATUTORY OR OTHER WARRANTIES, INCLUDING WITHOUT LIMITATIONS WARRANTIES OF MERCHANTABILITY, NON-INFRINGEMENT OR FITNESS FOR A PARTICULAR PURPOSE. IN NO EVENT WILL COMPANY BE LIABLE FOR ANY SPECIAL, INCIDENTAL, CONSEQUENTIAL, PUNITIVE, INDIRECT OR EXEMPLARY DAMAGES OF ANY KIND, INCLUDING LOST PROFITS OR REVENUE, HOWEVER CAUSED, WHETHER FOR BREACH OR REPUDIATION OF CONTRACT, TORT, BREACH OF WARRANTY, NEGLIGENCE, OR OTHERWISE, WHETHER OR NOT COMPANY WAS ADVISED OF THE POSSIBILITY OF SUCH LOSS OR DAMAGES. Some states do not allow exclusion or limitation, so this may not apply to you. This warranty gives you specific legal rights, and you may have other rights which vary from state to state.

### EXCLUSIONS TO THE WARRANTY

The Limited Warranty excludes, and Bestop is not liable in any way for any warranty claims, damages, or defects related to:

- Misuse, abuse, accidents, vandalism, negligence, fire, or improper installation or modification, or improper or inadequate maintenance;
- Failure to comply with any Product documentation, Bestop instructions, or applicable law or regulations; use in extreme conditions
- Force Majeure including but not limited to, earthquake, hurricane, tornado, flooding, or other disasters natural or man-made, civil unrest, strikes, declared or undeclared war, or lack of performance by, or discontinued product of, supply chain partners whose products, software, operations or management is beyond the control of Bestop;
- Damage resulting in breakage (including without limitation, spontaneous breakage, accidental breakage or breakage by any other means) of a Product or any component part;
- Damage to vinyl windows due to misuse, or cracking due to varying weather conditions.

### YOUR SOLE REMEDY

During the applicable warranty period, Bestop shall, at its option, either repair or replace any Product that it confirms, in its discretion, is non-compliant with the warranties herein. Bestop will not pay for labor charges associated with installation or removal of the Product. Should a specific Product be discontinued, Bestop may, at its option, replace the discontinued Product with a current product or like product. If Bestop opts to repair or replace your Product as set forth herein, Bestop shall use reasonable efforts to match any patch or replacement to the color and texture of your existing Product. There is no guarantee however, that Bestop will be able to match the color or texture. If Bestop is not able to match the color or texture, it may provide you with a black or neutral colored patch replacement in its discretion.

Please retain your proof of purchase. Original proof of purchase for the Product must accompany any warranty claim. If you have a warranty claim, first you must email Bestop Customer Service at [csbestop@bestop.com](mailto:csbestop@bestop.com) for instructions. All claims must be emailed to [csbestop@bestop.com](mailto:csbestop@bestop.com) within 30 days of discovery of a defective Product, but in no event later than thirty days after the end of the applicable Warranty Period (the “Warranty Notice Period”). Warranty claims made after the Warranty Notice Period are null and void and Bestop shall have no responsibility with respect to such claims.

THIS SECTION SETS FORTH BESTOP’S SOLE OBLIGATION & YOUR SOLE REMEDY WITH RESPECT TO ANY DEFECTS OR OTHER PRODUCT ISSUE. ANY PRODUCTS REPLACED UNDER TERMS OF THIS WARRANTY WILL BE COVERED UNDER TERMS & BALANCE OF THE DURATION OF THE ORIGINAL LIMITED WARRANTY FOR SUCH PRODUCT.



## Warranty Information

Vehicle Application:  
Jeep® JL Wrangler 2018- Current, Gladiator 2020-Current  
Part Number 41470

COVERED PRODUCTS AND WARRANTY PERIODS: The warranty time periods are as follows for Products manufactured by Bestop:

### BESTOP® LIMITED LIFETIME WARRANTY

® Pro Twill Fabric Top Sunrider® for Hardtop Twill Fabric Top  
Trektop® NX Glide Twill Fabric Top Replace-a-Top™ Twill Fabric Top  
Trektop® NX Twill Fabric Top Supertop® NX Twill Fabric Top  
EZFold™ Soft Tonneaus Floor & Cargo Liners  
ZipRail™ Soft Tonneaus Pet Barriers  
EZRoll™ Soft Tonneaus

### BESTOP® 5-YEAR LIMITED WARRANTY

Trektop® NX Glide™ Top (non-Twill) Sunrider® for Hardtop (non-Twill) Replace-a-Top™ Top (non-Twill) Trektop® NX Top (non-Twill)  
Sailcloth Replace-a-Top™ Supertop® NX Top (non-Twill)  
Tigertop™ and Halftop™ Sunrider® Complete Soft Top Supertop® for Truck  
EZ Fold Hard Tonneau

### BESTOP® 3-YEAR/100K MILES LIMITED WARRANTY

Powerboard® & Powerboard® NX  
Trekstep®, Side Mount  
Trekstep®, Rear Mount

### BESTOP® 3-YEAR LIMITED WARRANTY

Pavement Ends Sprint Top

### BESTOP® 2-YEAR LIMITED WARRANTY

Trektop® Classic Soft Top  
RoughRider™ Soft Storage

### BESTOP® 1-YEAR LIMITED WARRANTY

All other Bestop® & Pavement Ends™ products not specified above.

For further information or request for warranty work, please contact:

Bestop Inc. Customer Service

Toll-Free: (800)845-3567

E-mail: [csbestop@Bestop.com](mailto:csbestop@Bestop.com)

Website: [www.Bestop.com](http://www.Bestop.com)