



Installation Instructions Bestop Front Fender Flares

Vehicle Application:
Jeep® JL Wrangler, Wrangler Unlimited 2018 - Current
Jeep® JT Gladiator 2020 - Current
Part Number 49660-01

Installation

Bestop Front Fender Flares can not be installed with factory wheel well liners. They can be installed without wheel well liners or Bestop Wheel Well Liners Part Number 4966201. If you will be installing Bestop Wheel Well Liners please proceed with 4966201 installation instructions.

WARNING The manufacturer strongly recommends that this product be professionally installed.

WARNING Failure to carefully follow the electrical installation steps could result in severe electrical shock which could harm the installer and/or damage the vehicle.

WARNING This product is designed primarily to enhance the appearance and comfort of the vehicle. Do not rely in any way on the components of this product to protect the occupants within the vehicle, or to protect against injury or death in the event of an accident. Never operate the vehicle in excess of manufacturer's specifications.

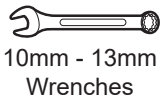


WEAR SEAT BELTS AT ALL TIMES

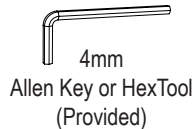
Tools and Supplies



Safety Glasses



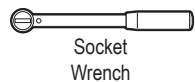
10mm - 13mm
Wrenches



4mm
Allen Key or HexTool
(Provided)



Power Drill



Socket
Wrench



8mm - 10mm -
13mm -sockets



Panel Removal
Tool



10mm (25/64")
Precision Metal
Drill Bit



Masking Tape



CAUTION

Safety glasses should be worn at all times when installing this product.

Installation Time



1-1/2 hours

Skill Level



3 - Moderately Difficult

Support

We're here to help! Go to:
<https://www.bestop.com>
and click on **Need Help?**



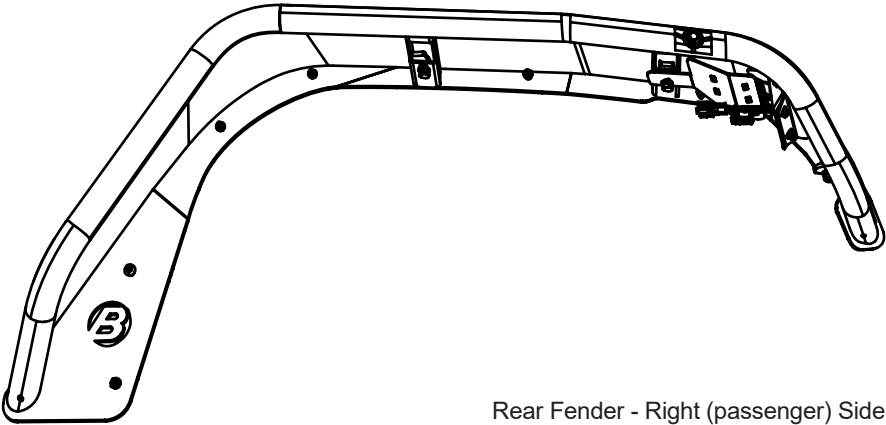
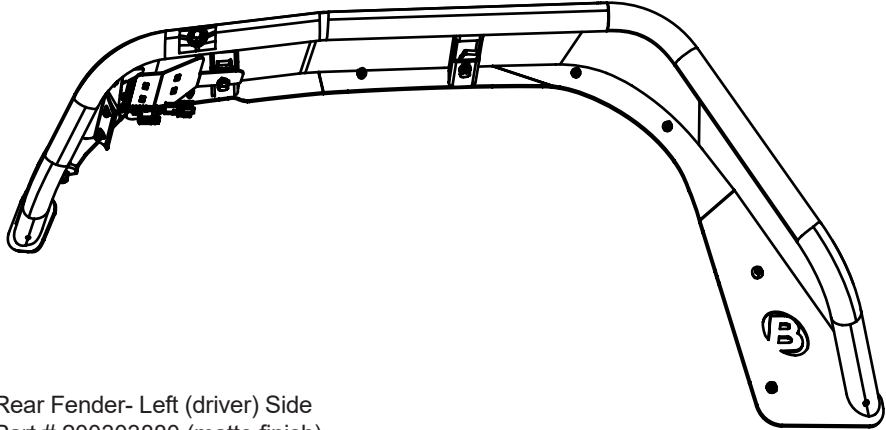
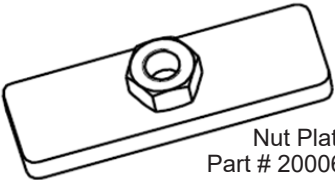
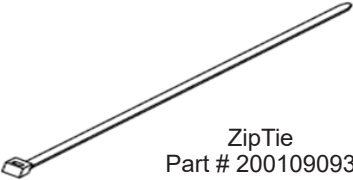
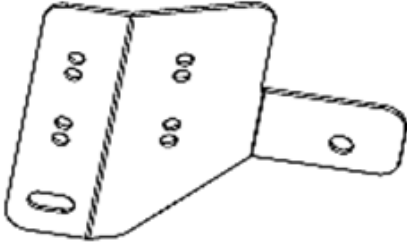
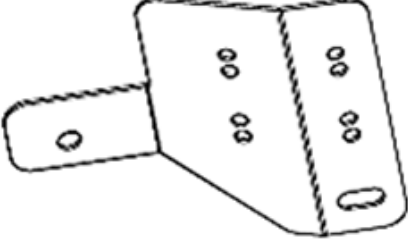
<https://www.bestop.com/video-library>



Installation Instructions Bestop Front Fender Flares

Vehicle Application:
Jeep® JL Wrangler, Wrangler Unlimited 2018 - Current
Jeep® JT Gladiator 2020 - Current
Part Number 49660-01

Parts List

All Sections		Steel Tube Fenders	
	<p>Rear Fender - Right (passenger) Side Part # 200303875 (matte finish) Qty. 1</p>		<p>Rear Fender- Left (driver) Side Part # 200303880 (matte finish) Qty. 1</p>
	<p>Nut Plate Part # 200064138 Qty. 4</p>		<p>ZipTie Part # 200109093 Qty. 10</p>
	<p>Harness Blocking Plate Left (Driver) Side Part # 200369825 Qty. 1</p>		<p>Harness Blocking Plate Right (Pass) Side Part # 200370905 Qty. 1</p>



Installation Instructions Bestop Front Fender Flares

Vehicle Application:
Jeep® JL Wrangler, Wrangler Unlimited 2018 - Current
Jeep® JT Gladiator 2020 - Current
Part Number 49660-01

Parts List

All Sections Steel Tube Fenders

Mounting Hardware Small Parts



M6 x 25mm
Allen Bolt
Part #3008167
Qty. 12



M6 LockWasher
Part #3008110
Qty. 12



M6 Flat Washer
Part #3008071
Qty. 12

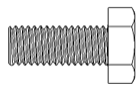


M6 Flange Nut
Part #3008066
Qty. 12

Mounting Hardware Small Parts



M8 x 25mm
Allen Bolt
Part #3008160
Qty. 2



M8 x 20mm
Allen Bolt
Part #3008062
Qty. 4



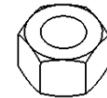
M8 x 25mm
Allen Bolt
Part #3008155
Qty. 4



M8 LockWasher
Part #3000145
Qty. 10

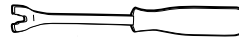
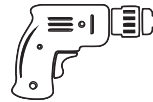


M8 Flat Washer
Part #3005674
Qty. 12

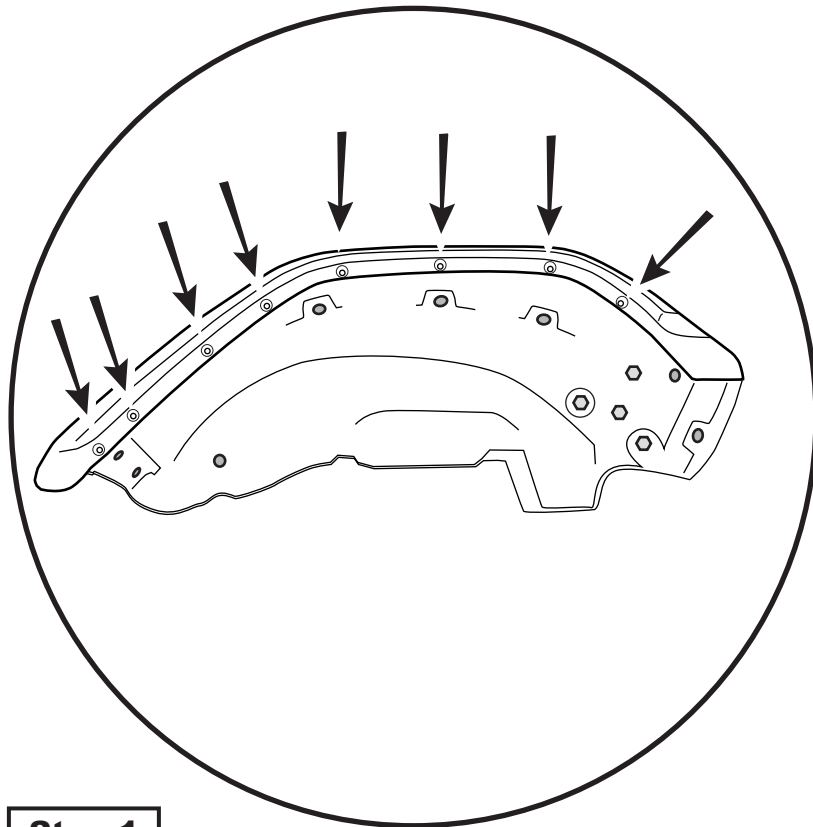


M8 Nut
Part #3001483
Qty. 4

Tools

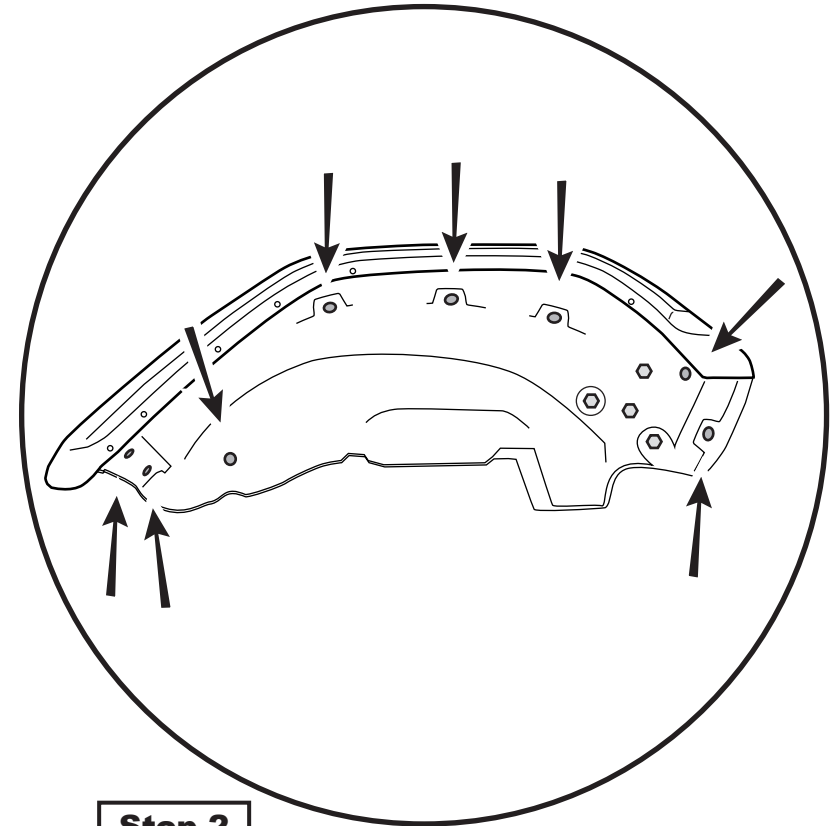
Panel Removal
Tool

Power Drill

10mm (25/64")
Precision Metal
Drill Bit

Step 1

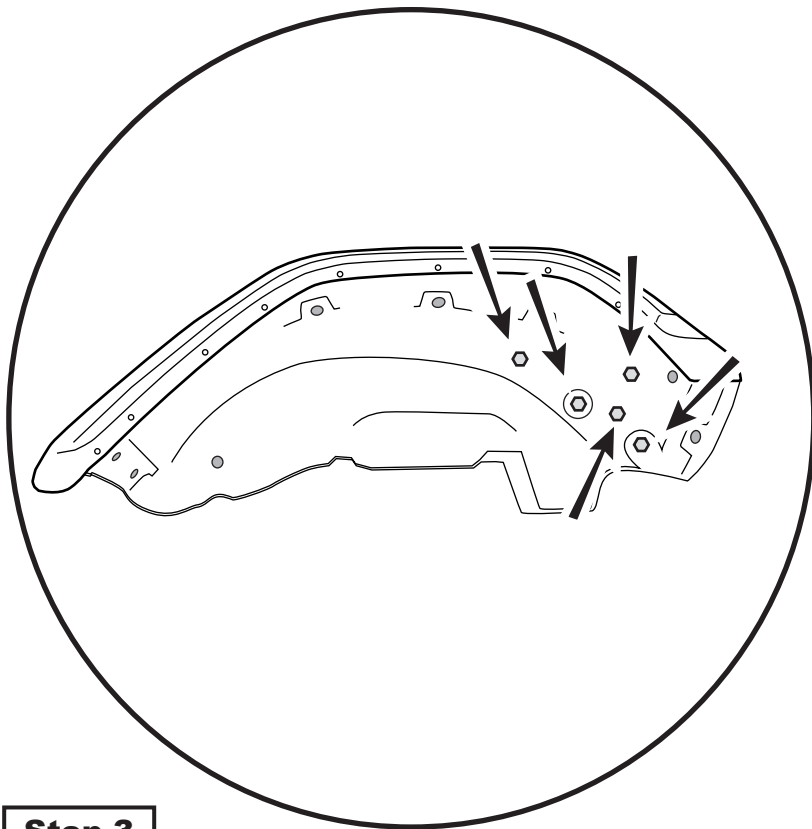
On the OEM front fenders, it is easier to drill out the plastic rivets holding the inner liner to the upper fender. Take care and go slow while you drill out these eight (8) plastic rivets.



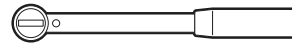
Step 2

Next, releasing the inner fender liner push-in retainers. Use a Panel tool to pry all the plastic trees that join the liner to the Jeep body.

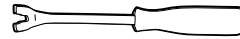
It may be easier to cut the head of the retainer off with Side-cutters and remove. These fasteners will not be reused.



Tools

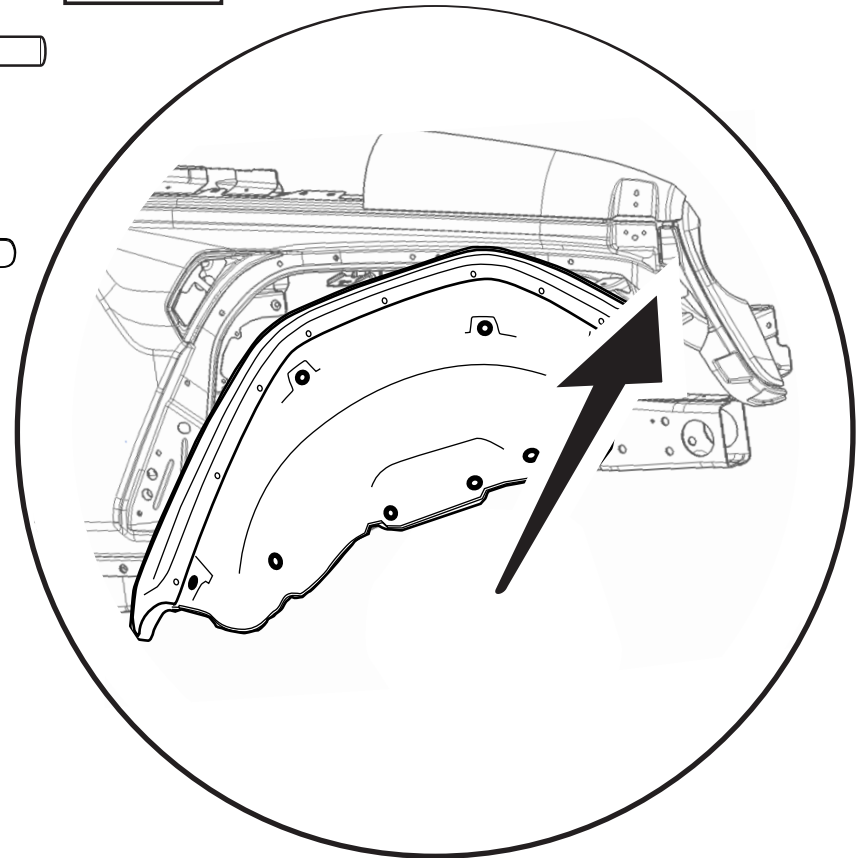


Socket Wrench
8mm Socket
10mm Socket



Panel Removal
Tool

Detail



Step 3

Now remove the last inner bolts that are holding the splash shield to the DRL fender light. There are five (5) bolts to remove,

NOTE: two of the bolts are hidden in holes below the surface of the plastic liner.

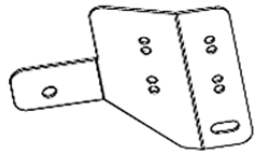
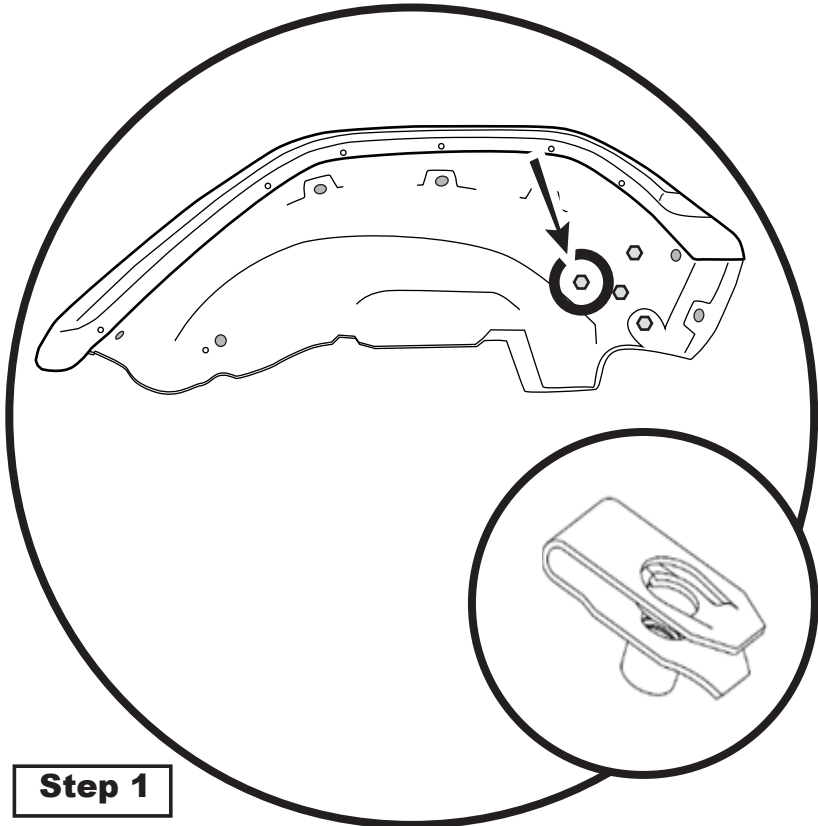
With the inner liner fasteners removed and loose, now you can remove the entire fender. Grab the fender and pull the fender away from the body. It's attached with clips. When pulling it away the clips will probably break. These fasteners will not be reused.

Start pulling from one corner, and work your way to the other side of the fender.

With the OE fender and liner removed clean the body of the Jeep in this area. This area retains mud and dust. If you see any scratches or paint is rubbed away, prep and touch-up paint areas to assist in rust prevention.

Hardware

Detail



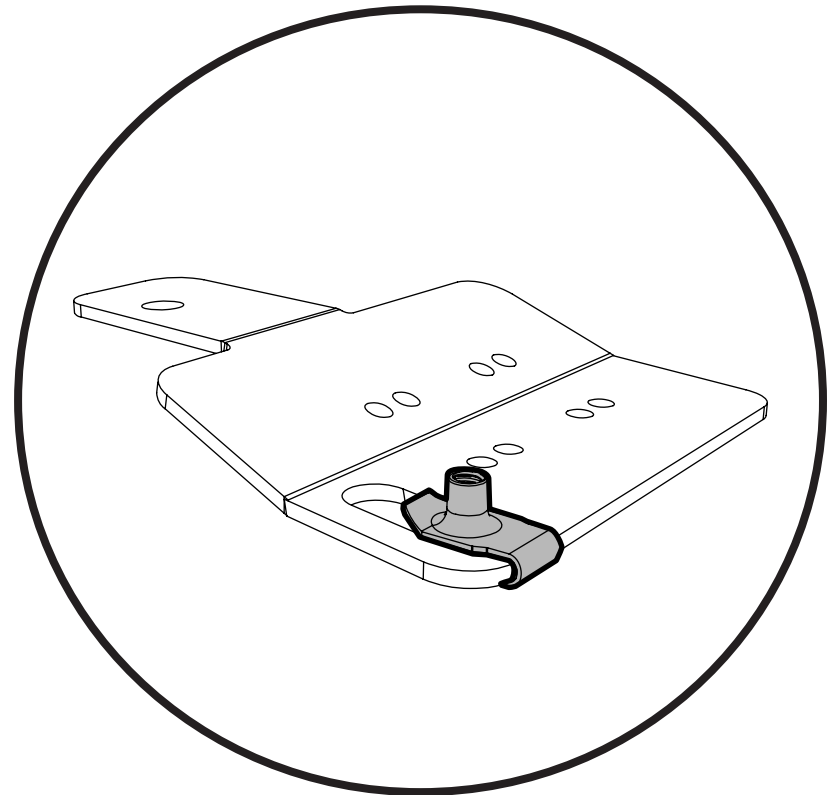
Harness Blocking Plate
Right (Pass) Side
Part # 200370905
Qty. 1



OEM ClipNut



OEM Bolt



Install the ClipNut from the OEM plastic fender, onto the location shown. The OEM Flange bold will also be needed.

Step 1

Remove the ClipNut from the OEM plastic fender, in the location shown. The OEM Flange bold will also be needed .

Tools



Socket Wrench
and



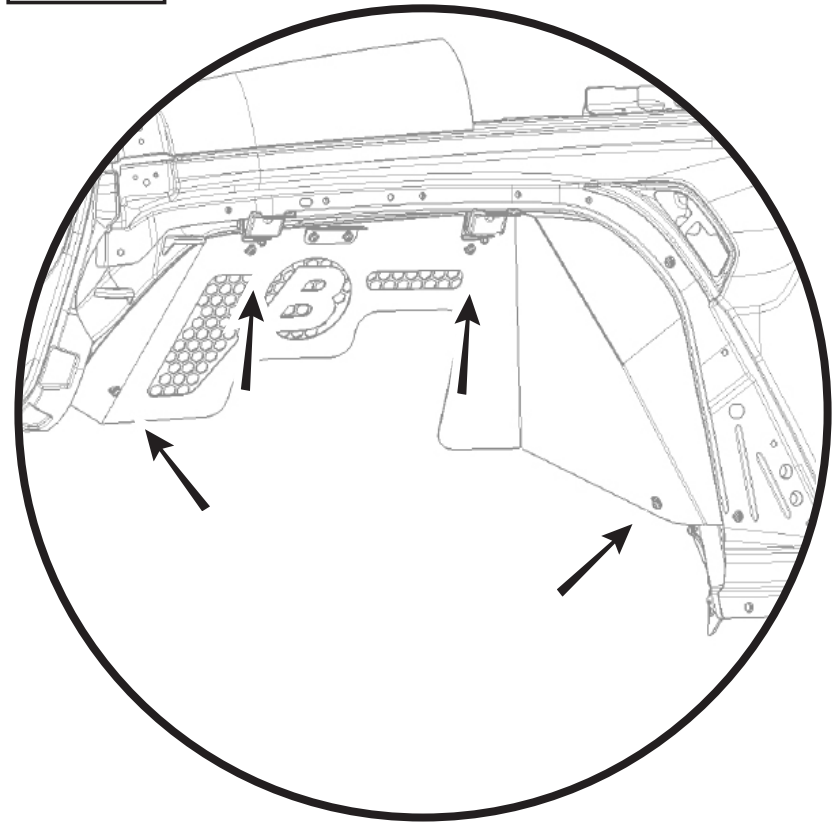
10mm 13mm sockets

Continue with the Bestop Front Fender Liner install sheet, from here on, unless you are not installing any Bestop Wheel Well Liners.

Tools

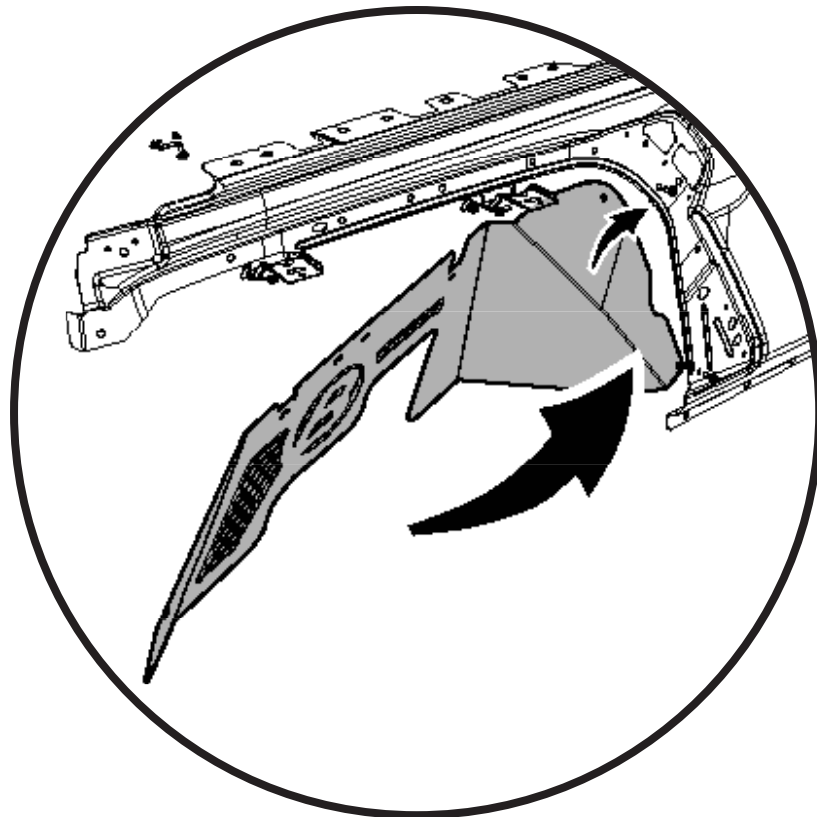


Detail

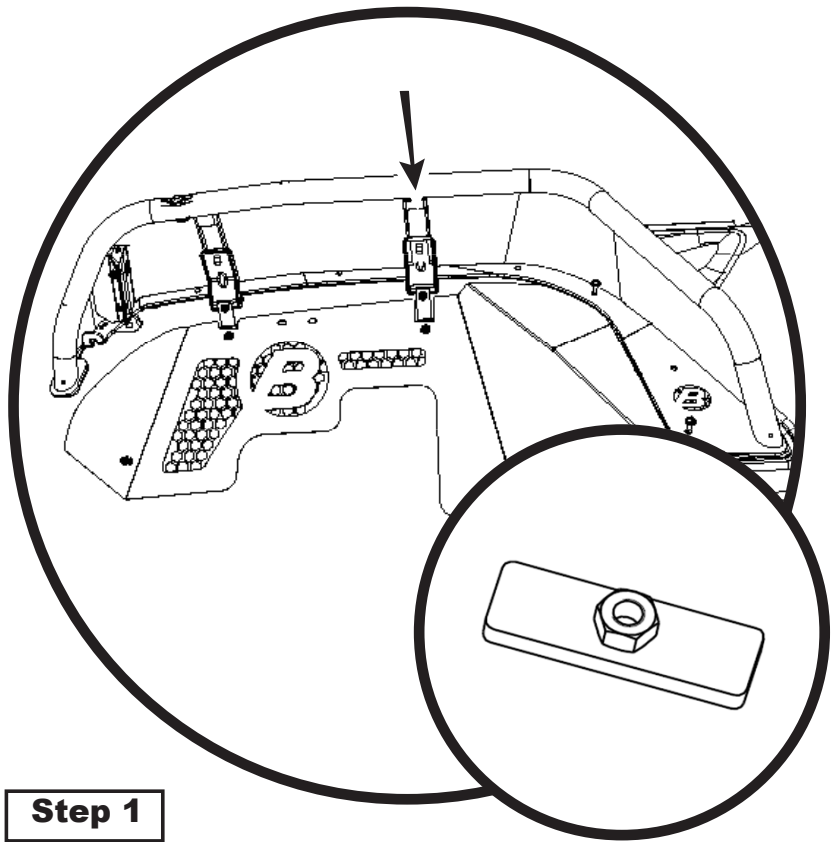


Before you continue, Mask off the body with tape to protect the paint while you are placing the Fender. Another set of ands may also be helpful.

Continue with the Bestop Front Fender Flare install sheet, once the Aluminum Liner is secure in wheelwell.



Continue with front fender flare installation once the Fender Liner hardware is in place, and aligned. Continue after the Fender liner is bolted to the brackets



Step 1



Place the Fender Flare in position onto the OEM fender hangers. Insert Nut plate (20064138) into the OEM hanger as shown. Loosely install the hardware M8 Bolt (3008155) with M8 Lockwasher (3000145), and M8 Flat-washer (3005674) as shown



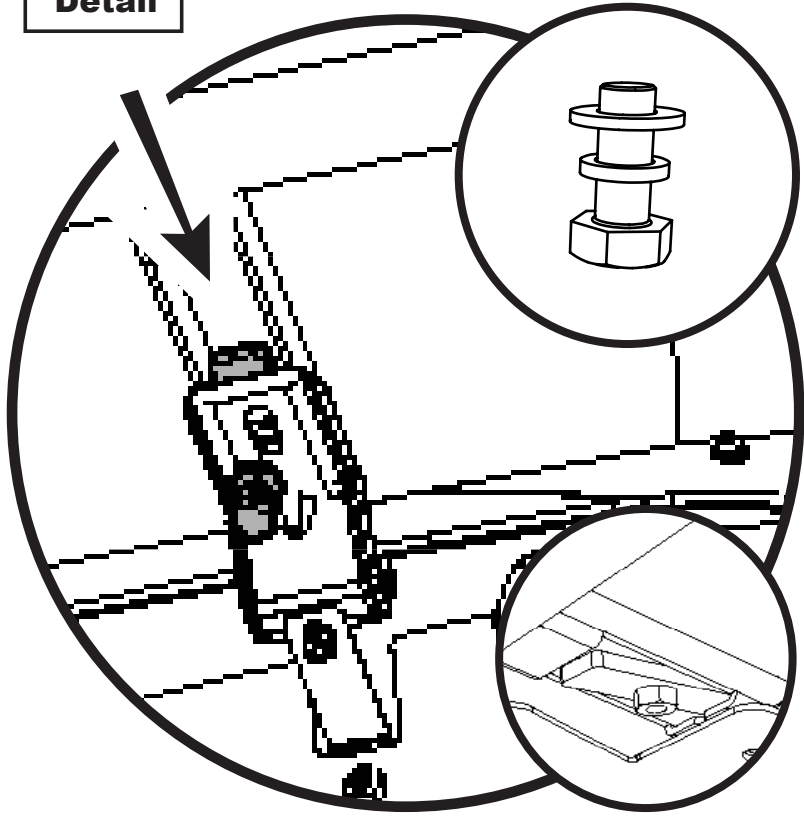
Hardware

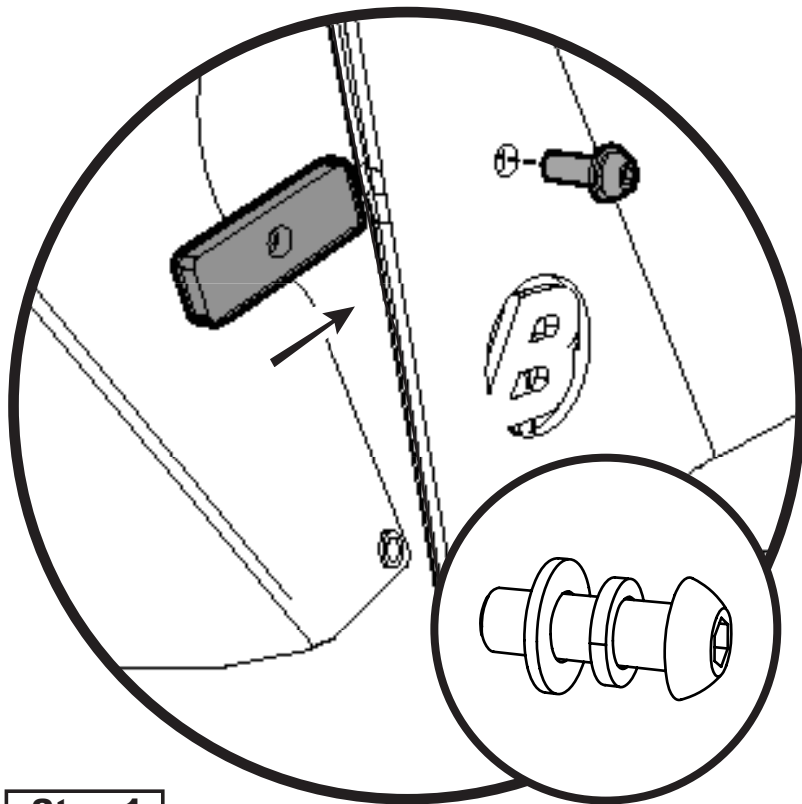
- 
M8 Nut Plate
Part # 200064138
Qty. 4
- 
M8 Flat Washer
Part #3005674
Qty. 12
- 
M8 LockWasher
Part #3000145
Qty. 10
- 
M8 x 20mm Bolt
Part #3008155
Qty. 4

Tools

- 
Socket Wrench
and
13mm sockets
or
- 
13mm
Wrench

Detail

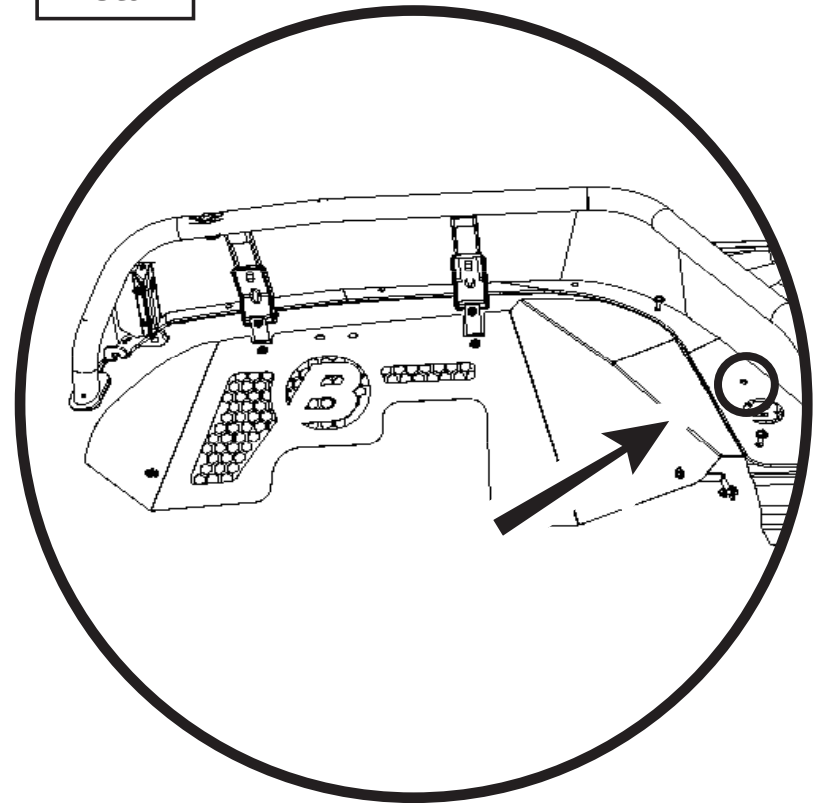




Hardware

- 
M8 Nut Plate
Part # 200064138
Qty. 2
- 
M8 Flat Washer
Part #3005674
Qty.2
- 
M8 LockWasher
Part #3000145
Qty. 2
- 
M8 x 25mm
Allen Bolt
Part #3008160
Qty. 2

Detail



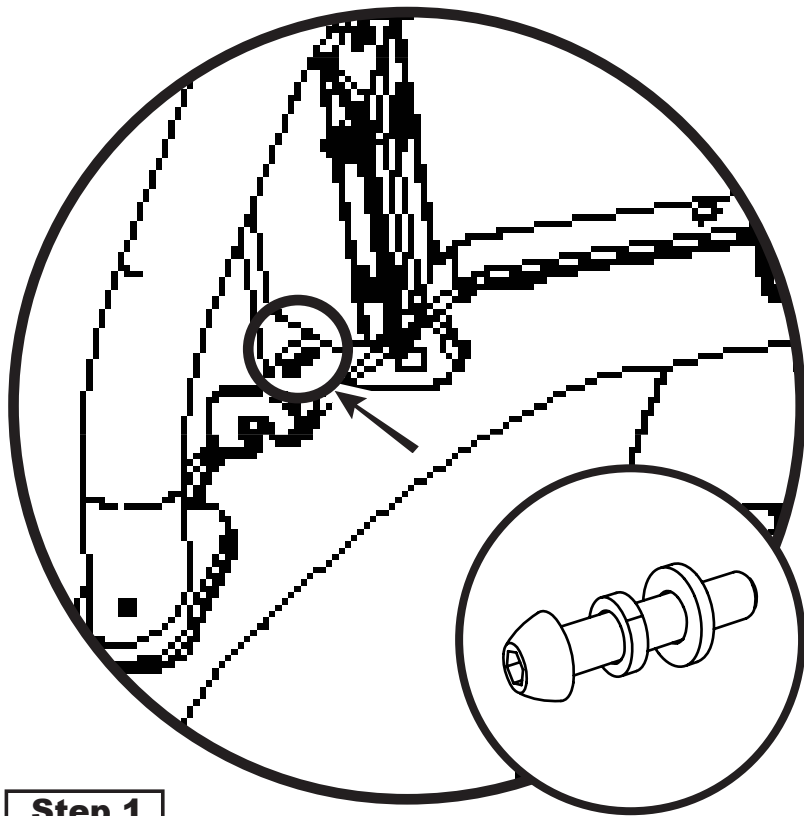
Step 1

Gently push back the Fender Liner, so you can insert the Nut plate (20064138) behind the vehicle fender. Make sure to place the flate side of the Nut Plate against the fender sheetmetal. Insert M8 Allen Bolt (3008160) with Lock Washer (3000145) and Flat Washer (3005674) as shown.

**Torque all hanger hardware to:
27 Nm / 20 InLbs..**

Tools

- 
5mm
Allen Key or HexTool
(Provided)



Step 1

Stack-up the hardware with M6 Allen Bolt (3008167), M6 Lock washer (3008110) and M6 Flat Washer (3008071), install the M6 Flange Nut on the backside of all the components.

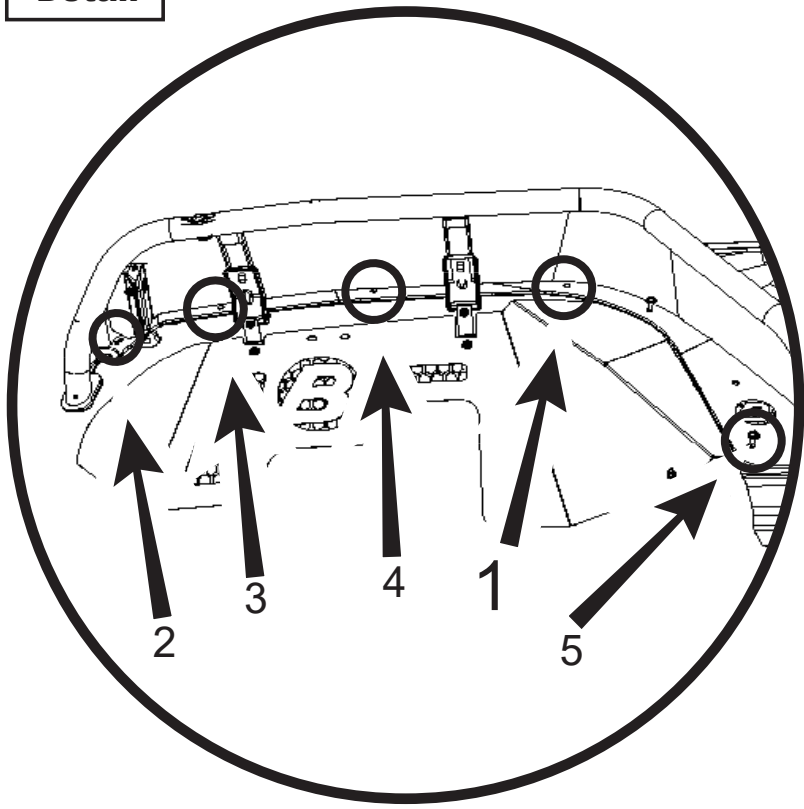
Install hardware into the locations in sequential order. Position 1 and 5 are installed into the Bestop Fender Liner which has RivetNuts installed. (shown in image right)

**Torque all hanger hardware to:
10 Nm / 8 InLbs..**

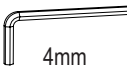
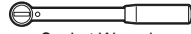

Hardware

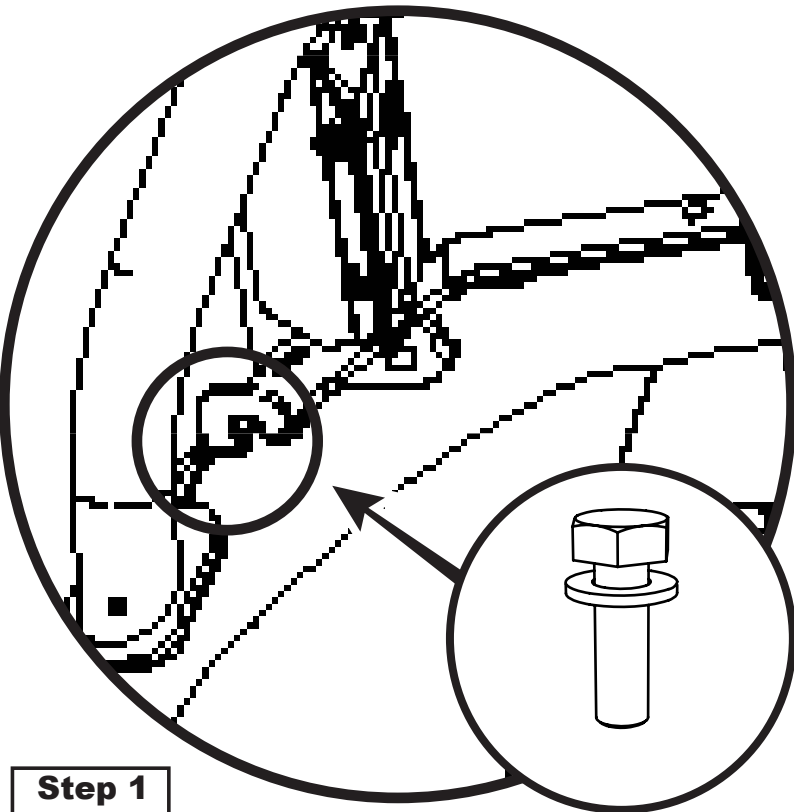
-  M6 Flange Nut
Part #3008066
Qty. 10
-  M6 Flat Washer
Part #3008071
Qty. 10
-  M6 Lock Washer
Part #3008110
Qty. 10
-  M6 x 25mm
Allen Bolt
Part #3008167
Qty. 10

Detail



Tools

-  4mm
Allen Key or HexTool
(Provided)
-  Socket Wrench
and
-  13mm sockets



Step 1

Insert M8 Bolt (3005062) and M8 Washer (3005674) from above the flange, and through the body mount as shown above.

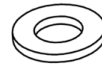
Install the remaining hardware with another M8 Flat Washer (3008071), M8 Lock washer (3000145) and, the M8 Nut on the underside of all the body mount location as shown in the detail image (Left)

**Torque all hanger hardware to:
27 Nm / 20 InLbs..**

Hardware



M8 x 20mm
Allen Bolt
Part #3008062
Qty. 2



M8 Flat Washer
Part #3005674
Qty. 4



M8 LockWasher
Part #3000145
Qty. 2



M8 Nut
Part #3001483
Qty. 2

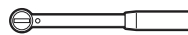
Tools



13mm
Wrenches

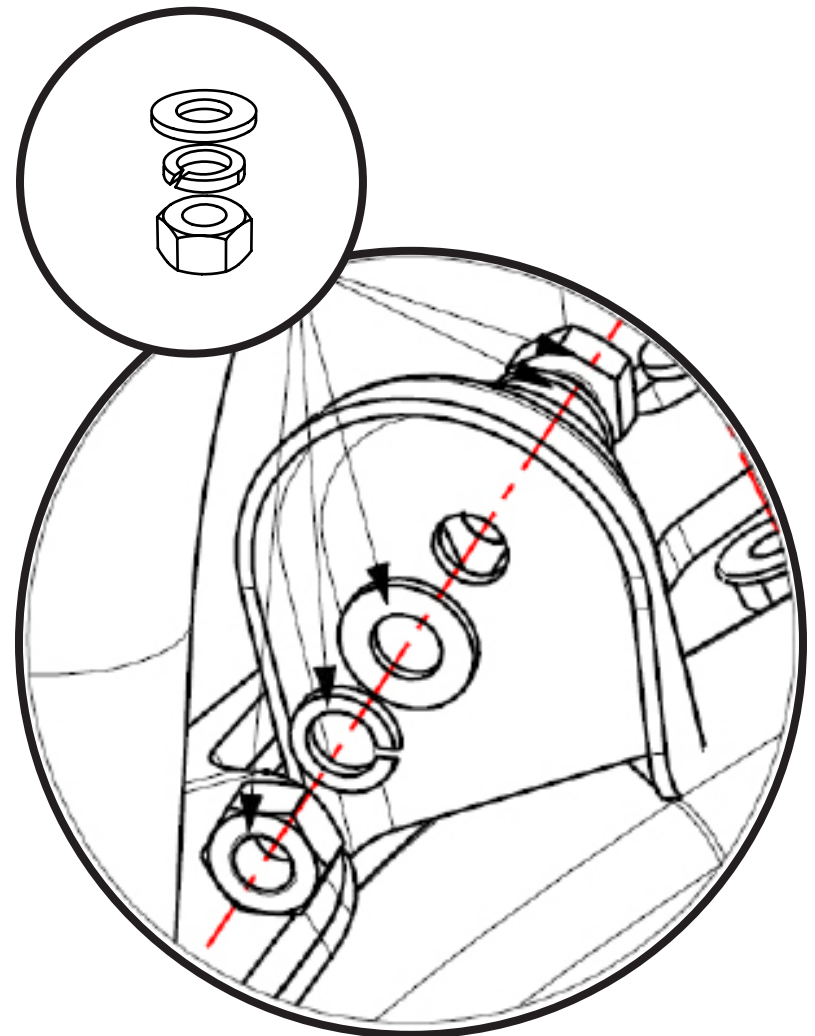


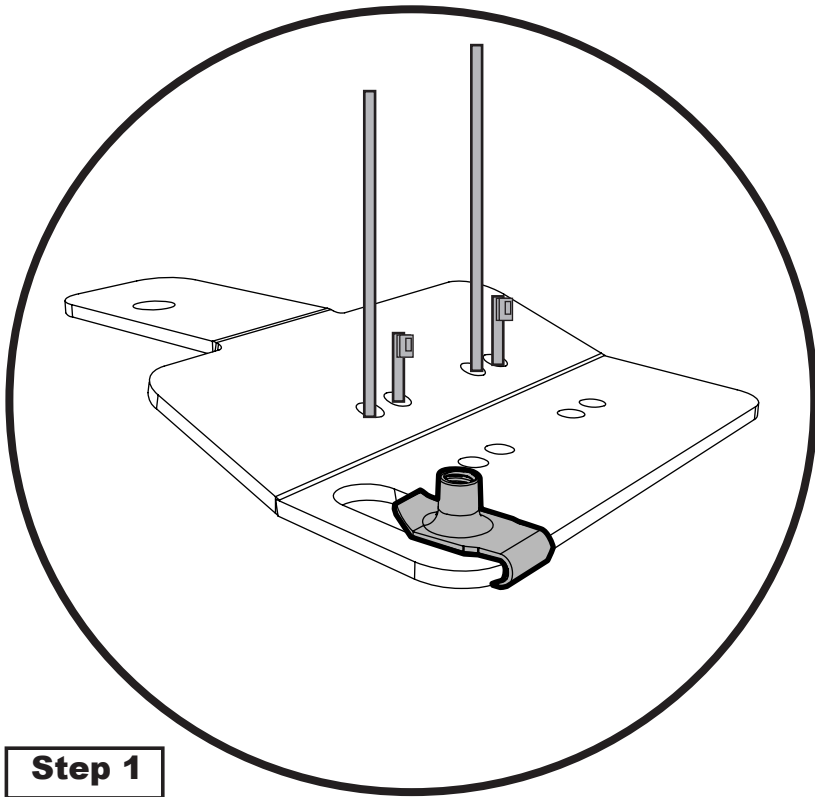
13mm - socket



Socket
Wrench

Detail



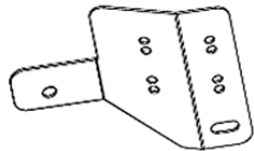


Step 1

- Test all lighting functions before you continue**
- **Amber Side Marker**
 - **White Forward DRL**
 - **Blinker / DRL switchback**
 - **Hazard Warning Lights**

Install Zipties into the small holes on the Harness Blocking Plate, and place the plate up into location above the body mount. Before installing the hardware, take time to properly secure the harness above the plate for protection.

Hardware



Harness Blocking Plate
Right (Pass) Side
Part # 200370905
Qty. 1



OEM ClipNut

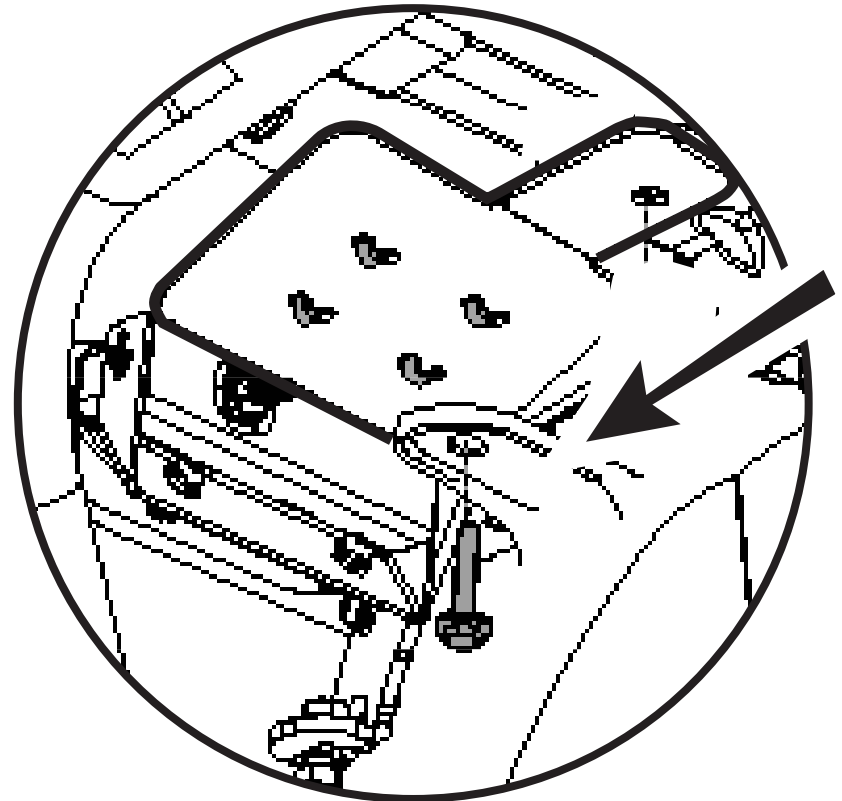


OEM Bolt



ZipTie
Part # 200109093
Qty. 10

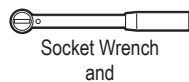
Detail



Once the Harness is secured, Install the OEM bolt into the ClipNut from the OEM plastic fender, into the Body Mount location, from the underside, as shown.

**Torque this OEM hardware to:
10 Nm / 8 InLbs.**

Tools

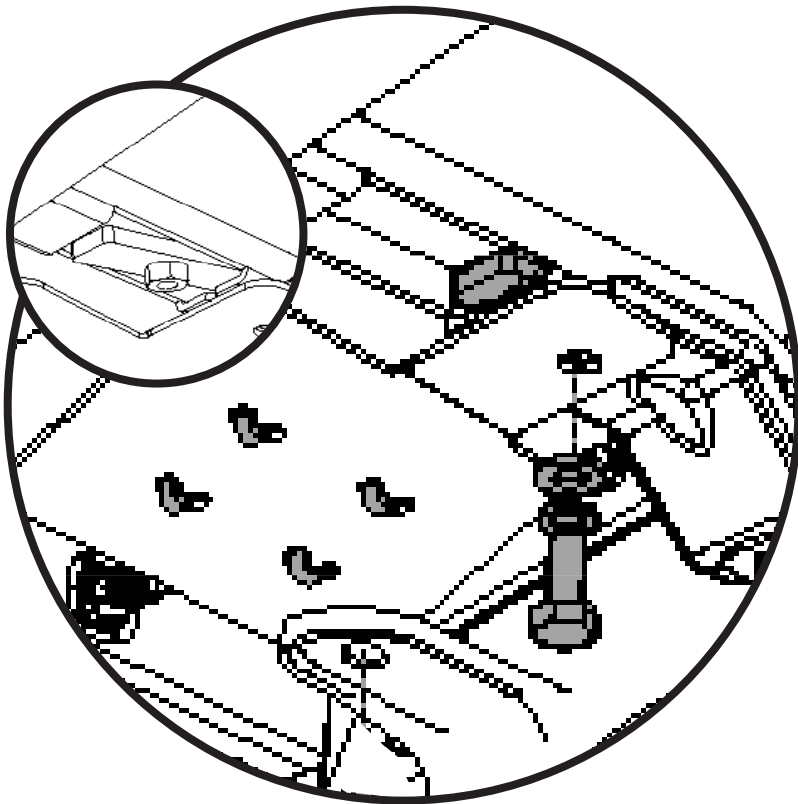


Socket Wrench
and

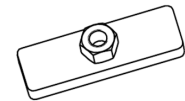


10mm socket

With the remaining Zip-tie (#200109093), Properly bundle, wrap, protect, the harness as needed



Hardware



M8 Nut Plate
Part # 200064138
Qty. 4



M8 Flat Washer
Part #3005674
Qty. 4



M8 LockWasher
Part #3000145
Qty. 4

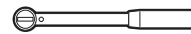


M8 x 20mm Bolt
Part #3008155
Qty. 4



ZipTie
Part # 200109093
Qty. 10

Tools



Socket Wrench
and

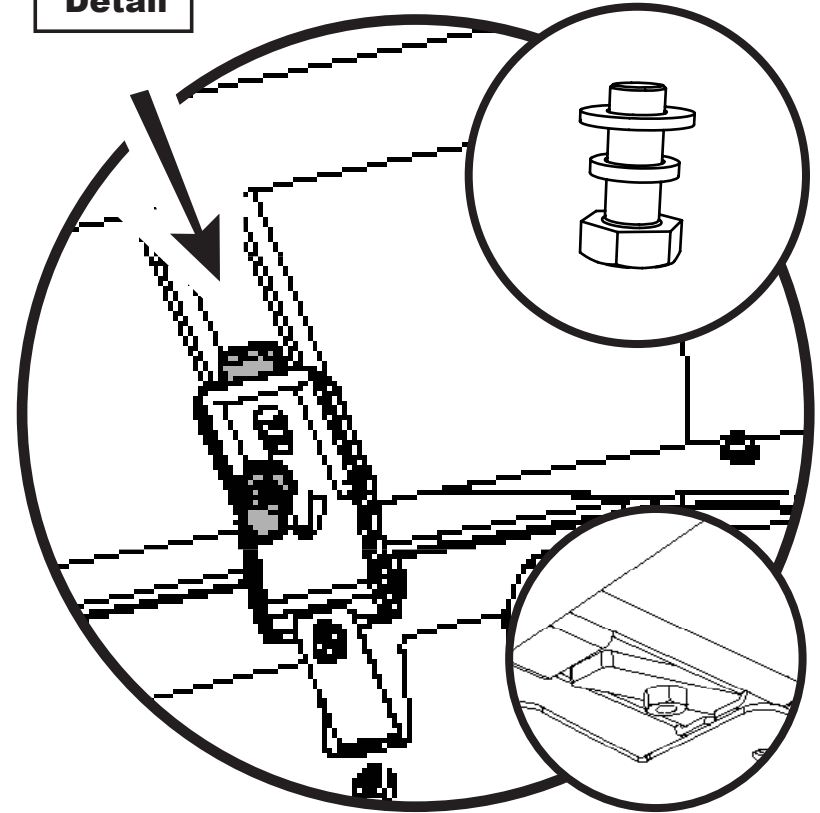


13mm sockets
or



13mm
Wrench

Detail



Step 1

Insert the final Nut Plate (20064138) into the Fender Flare slot above the OEM fender hangers body mount. Install M8 Bolt (3008155) with M8 Lockwasher (3000145), and M8 Flatwasher (3005674) through the hole in the Harness Blocking Plate, and body mount, into the Nut Plate as shown.

**Torque all hanger hardware to:
27 Nm / 20 InLbs..**



Installation Instructions Bestop Front Fender Flares

Vehicle Application:
Jeep® JL Wrangler, Wrangler Unlimited 2018 - Current
Jeep® JT Gladiator 2020 - Current
Part Number 49660-01

WHAT BESTOP WARRANTS

Subject to the terms and conditions of sale, including any terms and conditions set forth by Bestop, Inc. (“Bestop” or “us” or “we”) in our then-current terms of sale on our website (collectively, the “Terms”), Bestop represents and warrants that: the covered products listed in the “Covered Products and Warranty Periods” section (a “Product”) will substantially be free from defects in materials and workmanship for the specified warranty periods set forth in that section.

THE WARRANTY IS LIMITED AND CONDITIONAL

This warranty applies to the original purchaser of the Product only. The warranty is valid only as long as the original retail purchaser owns the vehicle upon which the Product is installed. The warranty expires should the Product be removed from the original vehicle or if the original vehicle is transferred to another owner. This warranty is not transferable or assignable. The warranty does not apply to Product bought from auction-style or price-bid websites.

THE LIMITED WARRANTY AND STATED REMEDIES ARE SOLE AND EXCLUSIVE AND IN LIEU OF ALL OTHER WARRANTIES AND REMEDIES, AND COMPANY EXPRESSLY DISCLAIMS ALL IMPLIED OR STATUTORY OR OTHER WARRANTIES, INCLUDING WITHOUT LIMITATIONS WARRANTIES OF MERCHANTABILITY, NON-INFRINGEMENT OR FITNESS FOR A PARTICULAR PURPOSE. IN NO EVENT WILL COMPANY BE LIABLE FOR ANY SPECIAL, INCIDENTAL, CONSEQUENTIAL, PUNITIVE, INDIRECT OR EXEMPLARY DAMAGES OF ANY KIND, INCLUDING LOST PROFITS OR REVENUE, HOWEVER CAUSED, WHETHER FOR BREACH OR REPUDIATION OF CONTRACT, TORT, BREACH OF WARRANTY, NEGLIGENCE, OR OTHERWISE, WHETHER OR NOT COMPANY WAS ADVISED OF THE POSSIBILITY OF SUCH LOSS OR DAMAGES.

Some states do not allow exclusion or limitation, so this may not apply to you. This warranty gives you specific legal rights, and you may have other rights which vary from state to state.

EXCLUSIONS TO THE WARRANTY

The Limited Warranty excludes, and Bestop is not liable in any way for any warranty claims, damages, or defects related to:

- Misuse, abuse, accidents, vandalism, negligence, fire, or improper installation or modification, or improper or inadequate maintenance;
- Failure to comply with any Product documentation, Bestop instructions, or applicable law or regulations; use in extreme conditions
- Force Majeure including but not limited to, earthquake, hurricane, tornado, flooding, or other disasters natural or man-made, civil unrest, strikes, declared or undeclared war, or lack of performance by, or discontinued product of, supply chain partners whose products, software, operations or management is beyond the control of Bestop;
- Damage resulting in breakage (including without limitation, spontaneous breakage, accidental breakage or breakage by any other means) of a Product or any component part;
- Damage to vinyl windows due to misuse, or cracking due to varying weather conditions.

YOUR SOLE REMEDY

During the applicable warranty period, Bestop shall, at its option, either repair or replace any Product that it confirms, in its discretion, is non-compliant with the warranties herein. Bestop will not pay for labor charges associated with installation or removal of the Product. Should a specific Product be discontinued, Bestop may, at its option, replace the discontinued Product with a current product or like product.

Please retain your proof of purchase. Original proof of purchase for the Product must accompany any warranty claim. If you have a warranty claim, first you must email Bestop Customer Service at csbestop@bestop.com for instructions. All claims must be emailed to csbestop@bestop.com within 30 days of discovery of a defective Product, but in no event later than thirty days after the end of the applicable Warranty Period (the “Warranty Notice Period”). Warranty claims made after the Warranty Notice Period are null and void and Bestop shall have no responsibility with respect to such claims.

THIS SECTION SETS FORTH BESTOP'S SOLE OBLIGATION & YOUR SOLE REMEDY WITH RESPECT TO ANY DEFECTS OR OTHER PRODUCT ISSUE. ANY PRODUCTS REPLACED UNDER TERMS OF THIS WARRANTY WILL BE COVERED UNDER TERMS & BALANCE OF THE DURATION OF THE ORIGINAL LIMITED WARRANTY FOR SUCH PRODUCT.



Installation Instructions Bestop Front Fender Flares

Vehicle Application:
Jeep® JL Wrangler, Wrangler Unlimited 2018 - Current
Jeep® JT Gladiator 2020 - Current
Part Number 49660-01

COVERED PRODUCTS AND WARRANTY PERIODS: The warranty time periods are as follows for Products manufactured by Bestop:

BESTOP® LIMITED LIFETIME WARRANTY

Trektop® Pro Twill Fabric Top Sunrider® for Hardtop Twill Fabric Top
Trektop® NX Glide Twill Fabric Top Replace-a-Top™ Twill Fabric Top
Trektop® NX Twill Fabric Top Supertop® NX Twill Fabric Top
EZFold™ Soft Tonneaus Floor & Cargo Liners
ZipRail™ Soft Tonneaus Pet Barriers
EZRoll™ Soft Tonneaus

BESTOP® 5-YEAR LIMITED WARRANTY

Trektop® NX Glide™ Top (non-Twill) Sunrider® for Hardtop (non-Twill) Replace-a-Top™ Top (non-Twill) Trektop® NX Top (non-Twill)
Sailcloth Replace-a-Top™ Supertop® NX Top (non-Twill)
Tigertop™ and Halftop™ Supertop® Classic Soft Top Sunrider® Complete Soft Top Supertop® for Truck
EZ Fold Hard Tonneau

BESTOP® 3-YEAR/100K MILES LIMITED WARRANTY

Powerboard® & Powerboard® NX

Trekstep®, Side Mount
Trekstep®, Rear Mount

BESTOP® 3-YEAR LIMITED WARRANTY

Pavement Ends Sprint Top

BESTOP® 2-YEAR LIMITED WARRANTY

Trektop® Classic Soft Top
RoughRider™ Soft Storage

BESTOP® 1-YEAR LIMITED WARRANTY

All other Bestop® & Pavement Ends™ products not specified above.

For further information or request for warranty work, please contact:

Bestop Inc. Customer Service

Toll-Free: (800)845-3567

Main: (303)465-1755

E-mail: csbestop@Bestop.com

Website: www.Bestop.com