



# Installation Instructions

## TrekStep™

### Vehicle Application

- Ford F-150,
- 2015 – Current
- Passenger and Drivers side
- Part Number:75508

[www.bestop.com](http://www.bestop.com) - We're here to help! Visit our web site and click on ["Ask a Question"](#). Click here for more [Truck Accessories by Bestop](#).

INSTALLATION TIME		SKILL LEVEL		
	1/2 Hour	<b>1</b> <input type="radio"/> <input type="radio"/> <input type="radio"/> <input type="radio"/>	1 - Easy	
TOOLS				
 Ratchet	 Extension	 Socket 17mm 18mm, and 21 mm	 Allen Wrench 3/16"	 Wrench 22mm
 Safety Glasses				



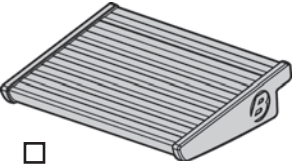
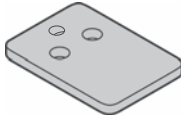
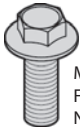
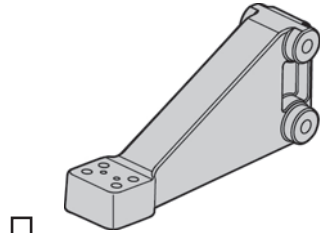
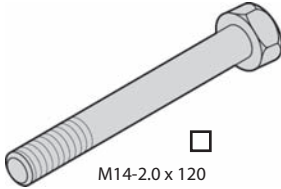
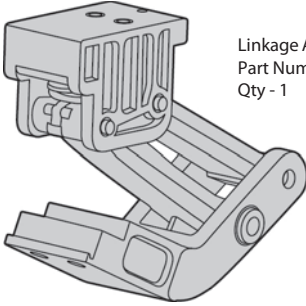
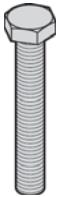




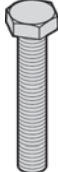



**⚠ WARNING** Do not rely in any way on the components of this product to protect against injury or death in the event of an accident. Never operate the vehicle in excess of manufacturer's specifications.

#### **WEAR SEAT BELTS AT ALL TIMES**

Read and follow, precisely, all installation instructions provided when installing product. Failure to do so may result in a poor fit and could place occupants of the vehicle in a potentially dangerous situation.

# TrekStep™ – Installation Instructions

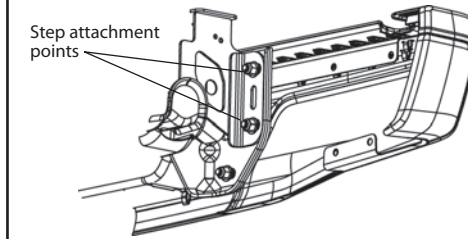
## Parts List and Hardware Identification

		<p>1/4" Spacer, Part Number 487.64, Qty - 2</p>		<p>M14-2.0 x 40 mm Flange Bolt, Part Number 517.44, Qty - 1</p>
<p>Running Board Assembly, Part Number 515.22, Qty - 1</p>		<p>Linkage Assembly, Part Number 508.49, Qty - 1</p>		<p>M14-2.0 x 120 mm Hex Bolt, Part Number 517.43, Qty - 2</p>
	<p>Mounting Bracket, Part Number 600.49, Qty - 1</p>			<p>M14 Flat Washer, Part Number 489.24, Qty - 5</p>
		<p>M10-1.5 x 75 mm Hex Head Bolt, Part Number 488.02, Qty - 2</p>		<p>M14 Nyloc Nut, Part Number 482.10, Qty - 3</p>
<p>M6-1.0 x 50mm Socket Cap Screw, Part Number 588.98, Qty - 1</p>	<p>M6-1.0 x 75 mm Socket Cap Screw, Part Number 517.45, Qty - 1</p>	<p>M6-1.0 x 18 Socket Cap Screw, Part Number 588.03, Qty - 2</p>		<p>M10-1.5 x 65 mm Hex Head Bolt, Part Number 476.02, Qty - 2</p>
	<p>M6 Flat Washer, Part Number 489.68, Qty - 1</p>			<p>M10 Lock Washer, Part Number 481.59, Qty - 2</p>

Before installing fasteners apply 2 drops of loctite.

### 1 Locate Rear Bumper Attachment

Locate the rear bumper attachment points.

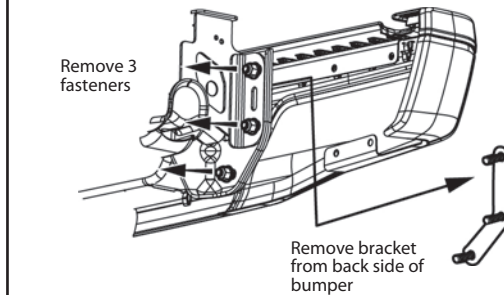


### 2 Remove Bumper Bracket

Remove the three (3) bumper fasteners. Then remove the bracket from the back of the bumper.

**NOTE** If vehicle does not have factory hitch, the factory bracket will only have two (2) studs.

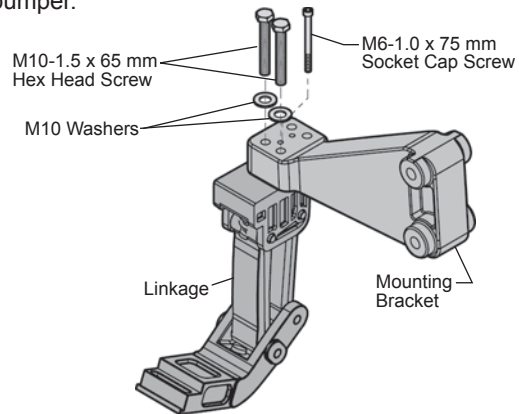
**NOTE** Studs in bracket are held in place by a spring fastener. To remove, lightly tap the end of the bracket studs to loosen the spring washer, then remove bracket.



# TrekStep™ – Installation Instructions

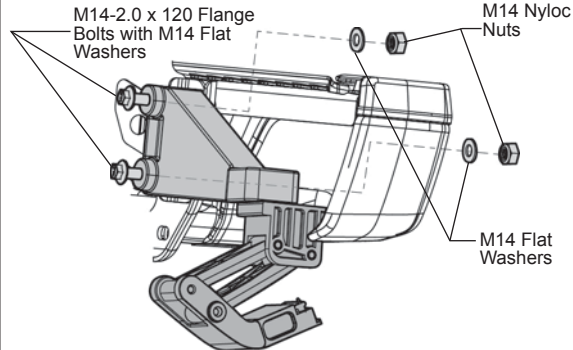
## 3 Assemble Linkage to Mounting Bracket

Mount the Linkage to the holes closest to the bumper.



## 4 Install Linkage Assembly

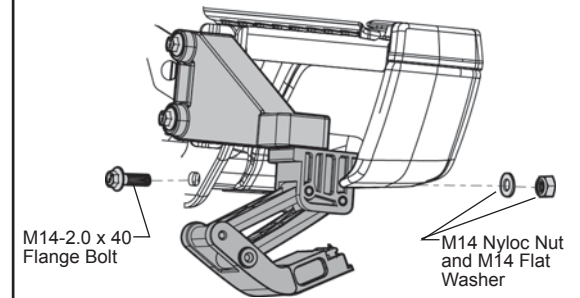
Use two (2) M14-2.0 x 120 Hex Bolts, four (4) M14 Flat Washers and two (2) M14 Nyloc Nuts to secure the Linkage Assembly to the bumper mounting locations.



## 5 Secure Linkage Assembly

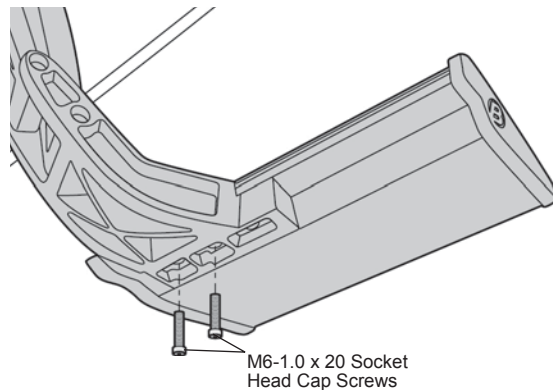
Use the M14-2.0 x 40mm Flange Bolt, and the remaining M14 Flat Washer and M14 Nyloc Nut to secure the Linkage Assembly to the bumper.

**NOTE** If vehicle does not have factory hitch, skip this step.



## 6 Install Step

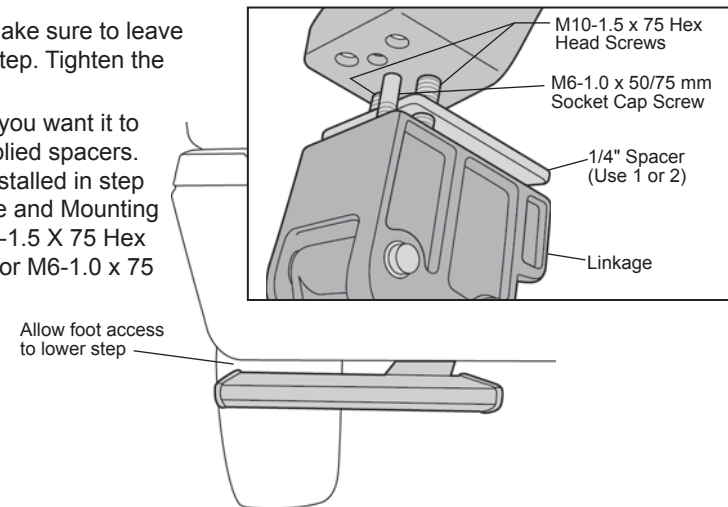
Use the M6-1.0 x 20 Socket Head Cap Screws to mount the Step to the Linkage Assembly.



## 7 Adjust Step

Adjust the Step from side to side. Make sure to leave clearance for foot access to lower step. Tighten the allen head bolts.

If the step is hitting the vehicle or if you want it to be lower add one or two of the supplied spacers. Remove the M10-1.5 X 65 screw installed in step 3. Place shims between the Linkage and Mounting bracket and reattach using the M10-1.5 X 75 Hex Head Screws and M6-1.0 x 50 mm or M6-1.0 x 75 mm Socket Cap Screw.



## TrekStep™ – Installation Instructions

### Operation

- The TrekStep™ is foot operated and deploys and retracts with a nudge of your foot.
- To deploy, press down using your left foot, on the forward outside corner of the step pad.
- To retract, gently kick the underside of the step pad.
- Max Load Capacity: 300 lbs.
- Always use appropriate hand holds when stepping up to or down from your truck's cargo bed.

### Care and Maintenance

The step pad surface and linkage arms should be washed with mild soap and water using a soft brush or sponge to dislodge any mud, dirt or accumulated road grime. Rinse with fresh water. After it is dry, lubricate the hinge with 3-IN-ONE Oil.

To prevent slipping, avoid applying waxes, lubricants or protectants like Armor All® to the step surface.

### Attention!

TrekStep™ SHOULD ALWAYS BE STOWED IN THE RETRACTED POSITION WHEN DRIVING.

## LIMITED WARRANTY

We warrant our product to be free from defects in material and workmanship, for the terms specified below, provided there has been normal use and proper maintenance. This warranty applies to the original purchaser only. All remedies under this warranty are limited to the repair or replacement of any item or items found by the factory to be defective within the time period specified. If you have a warranty claim, first you must call our factory at the number below for instructions. You must retain proof of purchase and submit a copy with any items returned for warranty work. Upon completion of warranty work, if any, we will return the repaired or replaced item or items to you freight prepaid. Damage to our products caused by accidents, fire, vandalism, negligence, misinstallation, misuse, Acts of God, or by defective parts not manufactured by us, is not covered under this warranty.

THE WARRANTY TIME PERIOD IS AS FOLLOWS FOR ALL TrekSteps™ MANUFACTURED BY OUR COMPANY: THREE YEARS / 36,000 MILES FROM DATE OF PURCHASE.

ANY IMPLIED WARRANTIES OF MERCHANTABILITY AND/OR FITNESS FOR A PARTICULAR PURPOSE CREATED HEREBY ARE LIMITED IN DURATION TO THE SAME DURATION AND SCOPE AS THE EXPRESS WRITTEN WARRANTY. OUR COMPANY SHALL NOT BE LIABLE FOR ANY INCIDENTAL OR CONSEQUENTIAL DAMAGE.

Some states do not allow limitations on how long an implied warranty lasts, or the exclusion or limitation of incidental or consequential damages, so the above limitations or exclusions may not apply to you. This warranty gives you specific legal rights, and you may also have other rights which vary from state to state.



For further information or request for warranty work, please contact:  
Bestop Inc. Customer Service  
Toll-Free: (800)845-3567  
Main: (303)465-1755  
E-mail: [csbestop@Bestop.com](mailto:csbestop@Bestop.com)  
Website: [www.Bestop.com](http://www.Bestop.com)