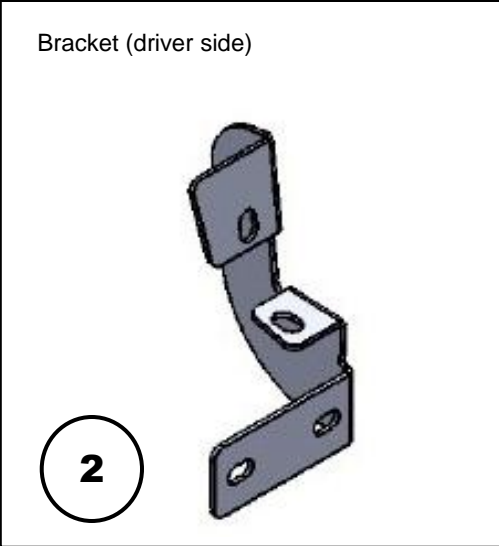
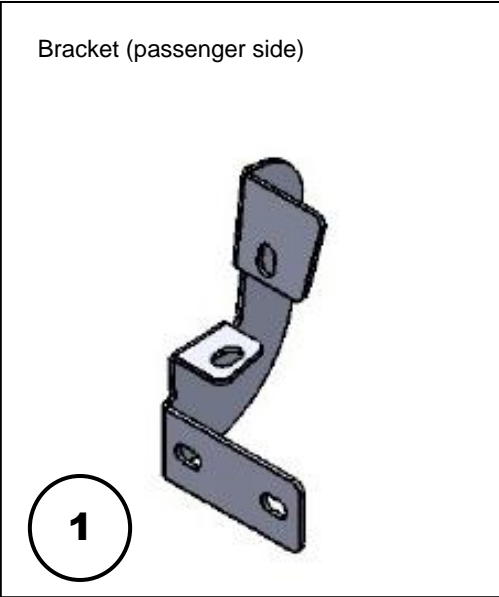


**Installation Instructions**  
**Dominator D2 Side Steps Part Number D24235 (T-PS)**  
**2015-2016 Chevrolet Colorado & GMC Canyon Crew Cab**  
 Do not attempt to install this product on any vehicle other than the one listed above!

**Parts List**

No.	Qty.	Part #	Description	Torque
1	4	D242356AA	Bracket (passenger side)	
2	4	D242356AA	Bracket (driver side)	
3	1		Passenger Side Step	
4	1		Driver Side Step	
5	32		M8-1.25 x 25mm Hex Bolt	20 Ft. Lbs
6	16		M8-1.25 Clip-Nut	
7	16		M8-1.25 Hex Nut	
8	48		5/16" Flat Washer	
9	32		5/16" Lock Washer	



**Tool Required:**  
 13mm Socket  
 13mm Wrench  
 Ratchet & Ratchet Extension  
**Approximate installation time: 60 min**

Read the installation instructions completely and verify that all of the parts listed are accounted for. If you have defective, missing or damaged parts or need assistance, please contact *Go Rhino Products* for fast, friendly customer service at: 1-888-427-4466 or email: [warranty@gorhino.com](mailto:warranty@gorhino.com)

## Installation

This installation uses 4 brackets per side, (Photo 1).

Photo 1



**Step-1** Begin the installation on the passenger side. Starting at the front of the vehicle, locate and remove the plastic plugs in the back side and bottom of rocker panel to expose the holes used for placement of the M8 Clip-Nuts, (Photo 2).

**Step-2** Install M8 Clip-Nuts in the rocker panel with the threaded end centered over the smaller hole, (Photo 3).

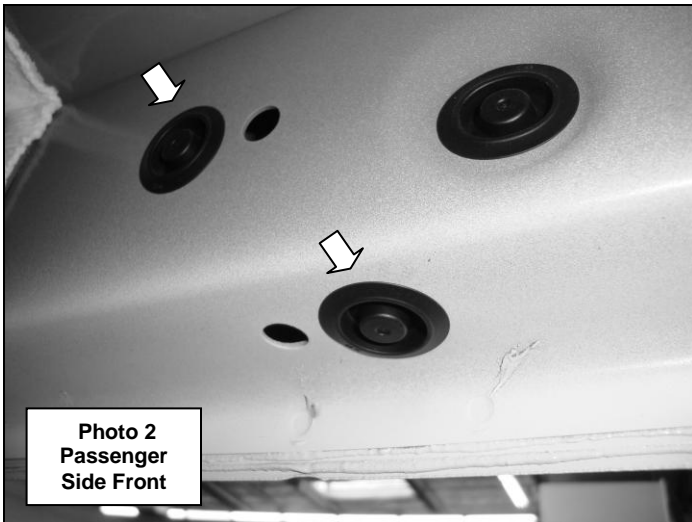


Photo 2  
Passenger  
Side Front

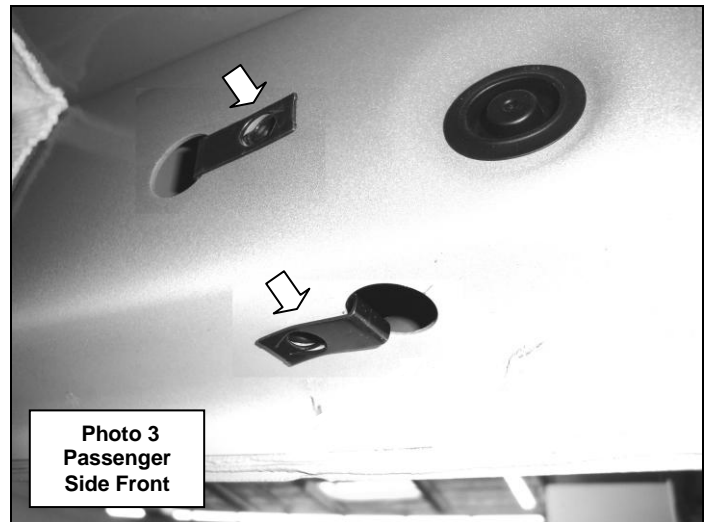
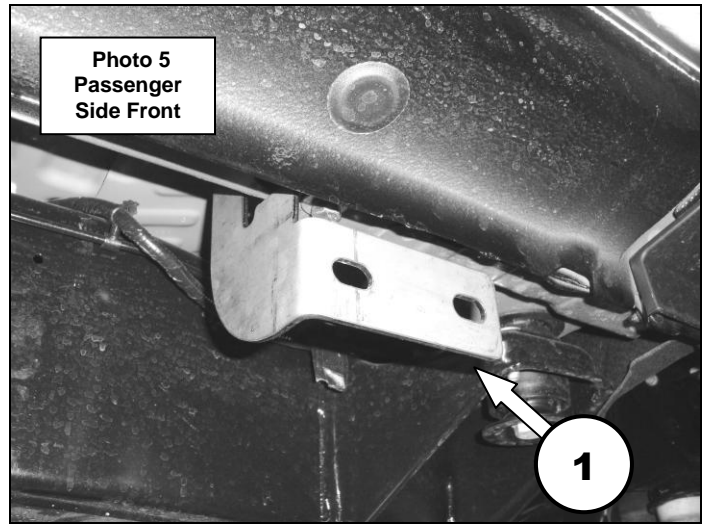
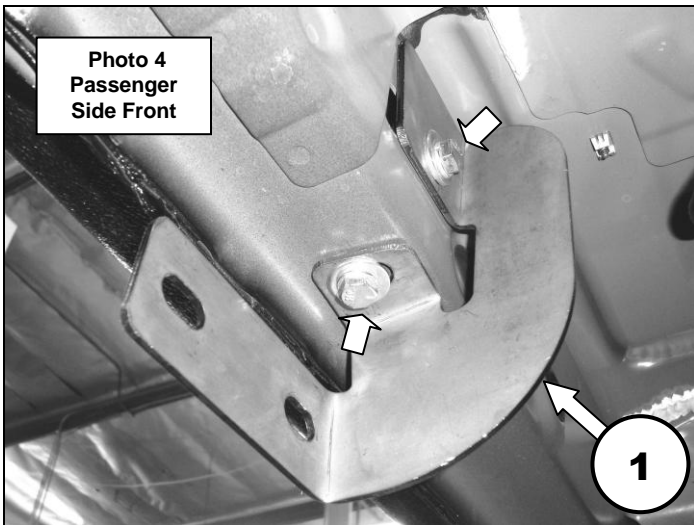
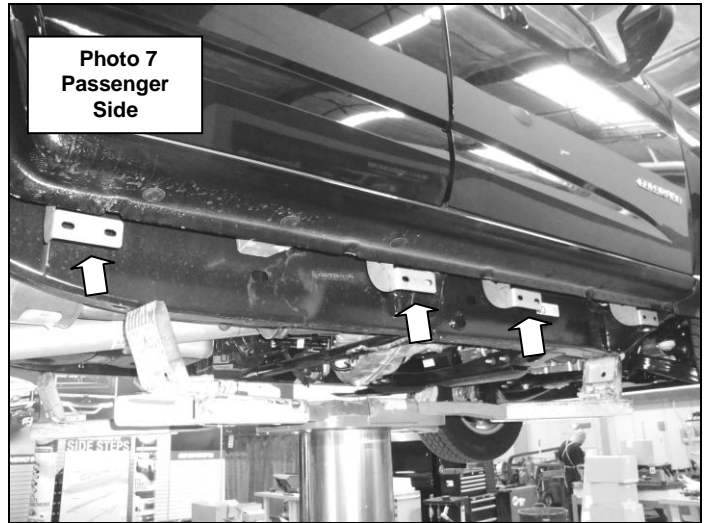


Photo 3  
Passenger  
Side Front

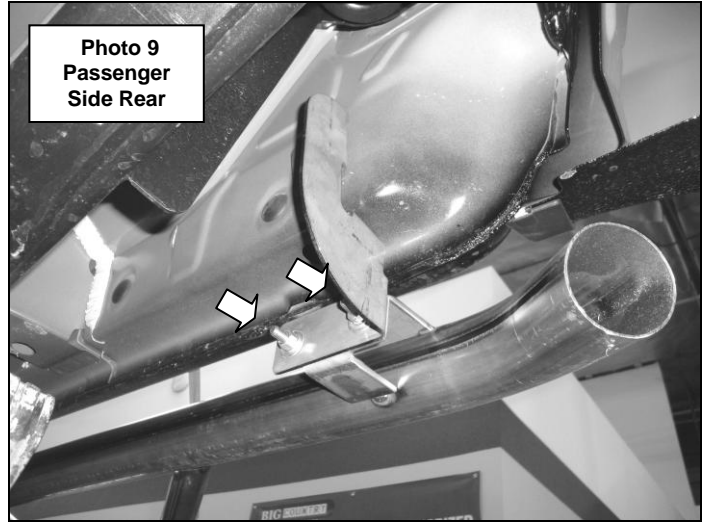
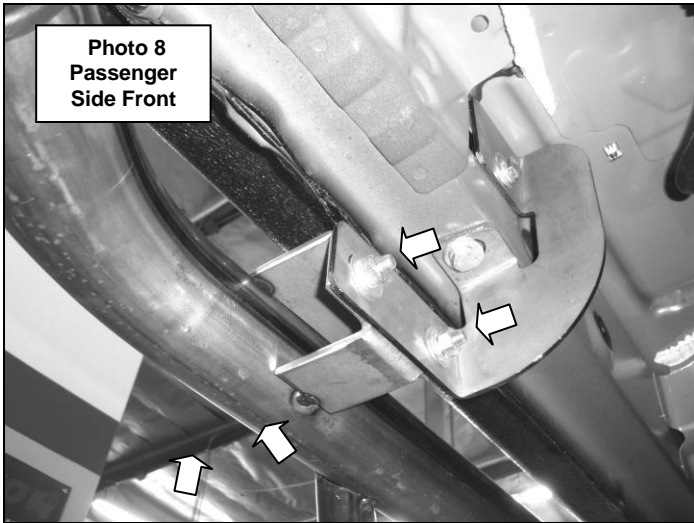
**Step-3** Attach one of the passenger side brackets to the rocker panel using (2) M8 hex bolts, (2) 5/16" flat washers and (2) 5/16" lock washers, (Photo 4 & 5). Leave the bolts loose for final adjustment.



**Step-4** Locate the plastic plugs and holes in the rocker panel at the center and rear of the cab, and repeat steps 1-3 to install the 3 remaining passenger side brackets, (Photo 6 & 7). Leave the bolts loose for final adjustment.



**Step-5** Attach the passenger side step to each bracket using (2) M8 hex bolts, (4) 5/16" flat washers, (2) 5/16" lock washers, and (2) M8 hex nuts, (Photo 8 & 9).



**Step-6** Align the side step with the vehicle and tighten all bracket and side step nuts and bolts, (Photo 10). Repeat the above steps to install the driver side brackets and side step. Remember to check and retighten the bolts periodically.

