



**Before returning this product  
to the store of purchase**

**Contact Dee Zee if you experience the following problems:**

- Missing Parts
- Installation Problems/Questions
- Warranty Questions

**1.800.779.2102**

Hours of operation: 8am - 5pm CST, Mon-Friday

Review complete warranty policy and register your product at:

**[www.deezee.com](http://www.deezee.com)**



## Dee Zee Running Board Installation Instructions

*Congratulations on your purchase of a quality Dee Zee product. Dee Zee is recognized as having the highest quality running boards and accessories on the market today. We have earned this reputation by offering our customers a product they can be proud to place on their vehicles. Dee Zee meets all the criteria of manufacturing a custom-fit product which guarantees it to be the easiest product to install.*

**Note:** Please take time to read all of the instructions before beginning this installation.

**Warning!** Please check for wiring or other obstructions before drilling any holes into the vehicle. If it is necessary to drill any holes into the vehicle, Dee Zee recommends putting a sealant or rust inhibitor around all holes drilled into the body of the vehicle.

**Warning!** It is the sole responsibility of the vehicle owner to check for tire clearance.

**Warning!** It is unlawful and dangerous to ride on running boards or side box boards while vehicle is in motion.

**Cleaning instructions:** To maintain the bright finish of your Dee Zee running boards, clean with a mild detergent and use a high grade automotive type wax. **DO NOT USE ABRASIVE CLEANERS ON THIS PRODUCT!**

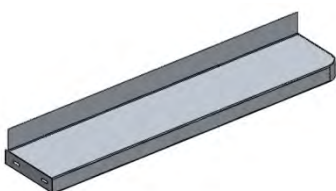
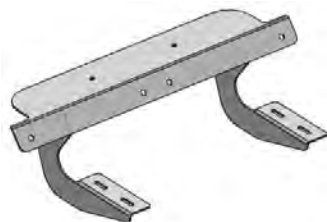
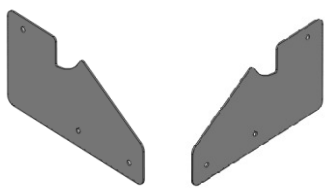
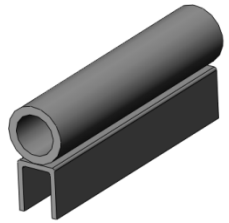
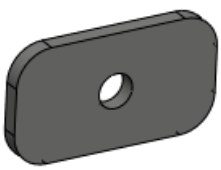
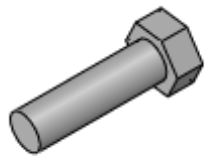
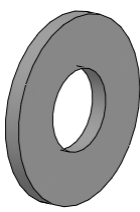
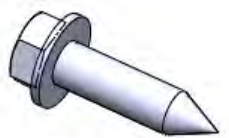



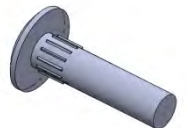
If you should happen to have any questions with this product or you have an installation question, please feel free to call us at:

1-800-779-8222

If you would like to find out more information on Dee Zee's products, please feel free to visit our website at:

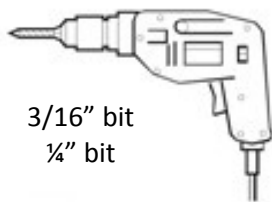
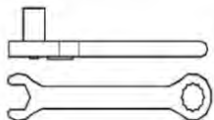
[WWW.DEEZEE.COM](http://WWW.DEEZEE.COM)

## DZ 1034 Chevy Express Van – Front Doors Only

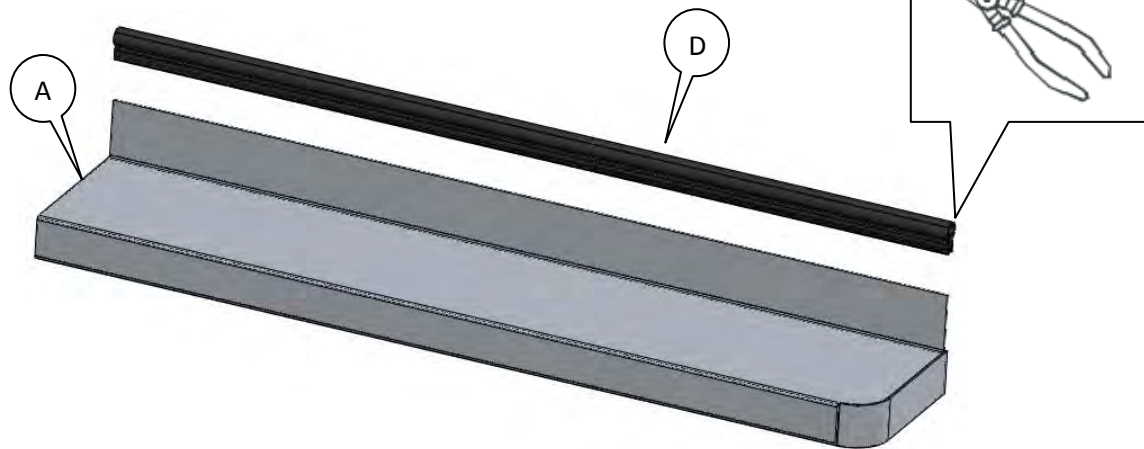
<p><b>A</b></p>  <p>BD 1034LP/RP    X1/X1</p>	<p><b>B</b></p>  <p>B 1780P    X2</p>	<p><b>C</b>    Mud Flap</p>  <p>FP0321P/2P    X1/X1</p>	<p><b>D</b>    Gasket</p>  <p>GSK-41    6.25'</p>
<p><b>E</b>    3/8 threaded plate</p>  <p>PN 407    X6</p>	<p><b>F</b>    3/8 bolt</p>  <p>PN 114    X6</p>	<p><b>G</b>    3/8 washer</p>  <p>PN 113    X6</p>	<p><b>H</b>    1/4 sheet metal screw</p>  <p>PN 97    X4</p>
<p><b>I</b>    1/4 bolt</p>  <p>PN 70    X6</p>	<p><b>J</b>    1/4 nut</p>  <p>PN 71    X14</p>	<p><b>K</b>    1/4 washer</p>  <p>PN 72    X20</p>	<p><b>L</b>    1/4 carriage bolt</p>  <p>PN 87    X8</p>

### Tools Required

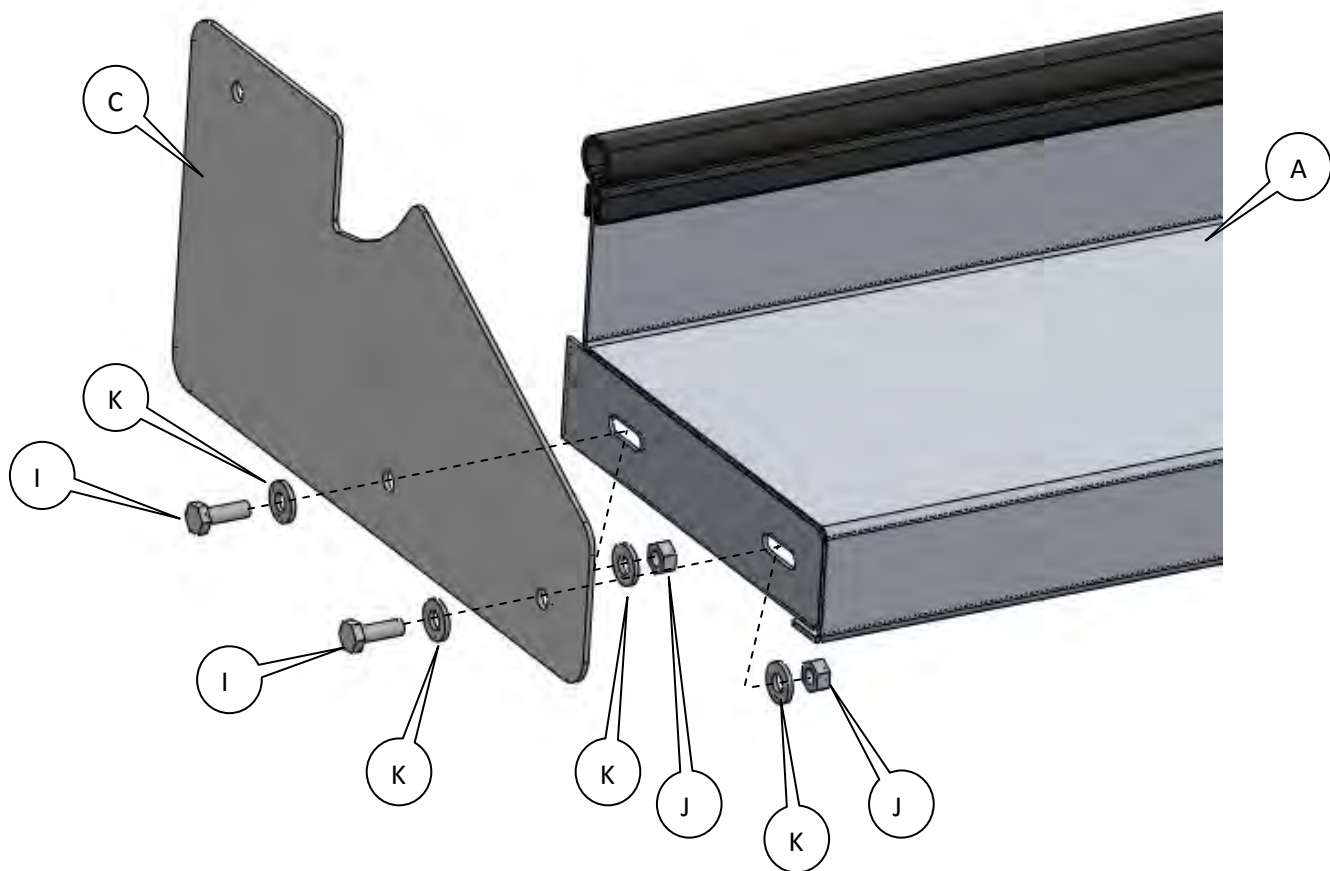
Ratchet / Wrench  
 9/16"  
 7/16"  
 3/8"



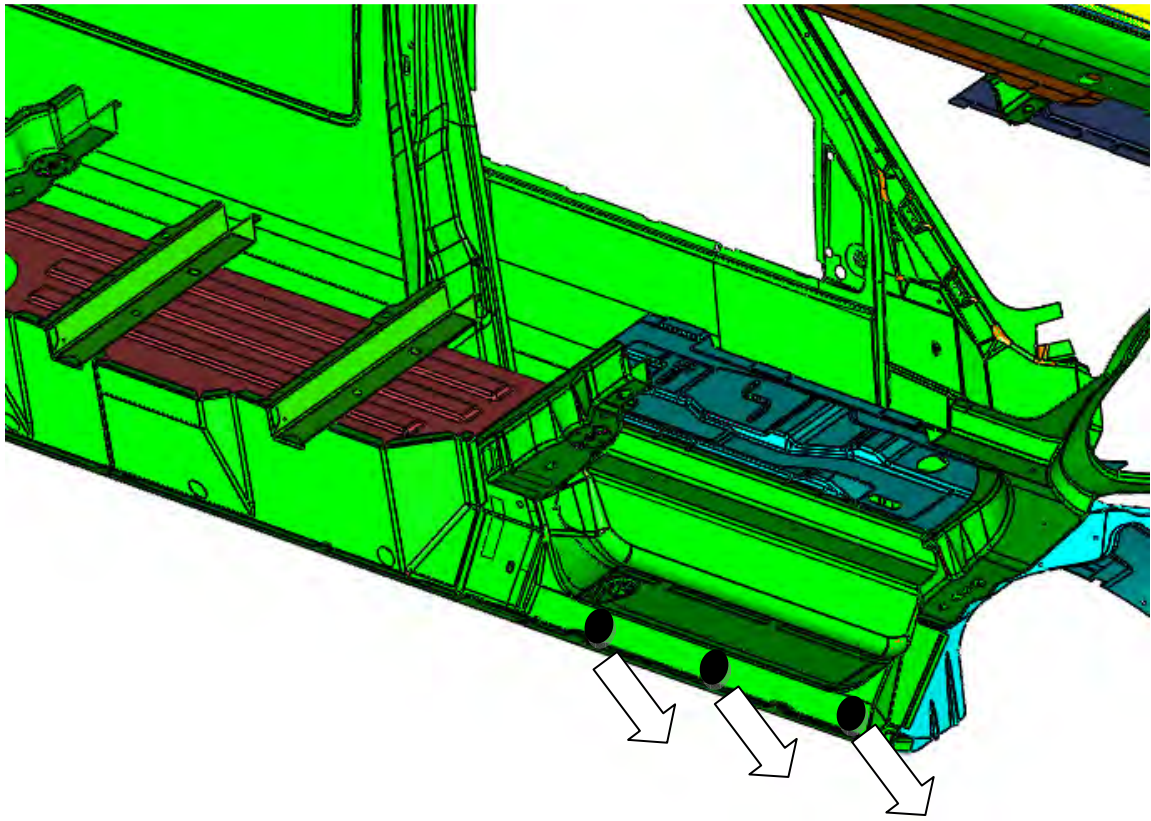
1



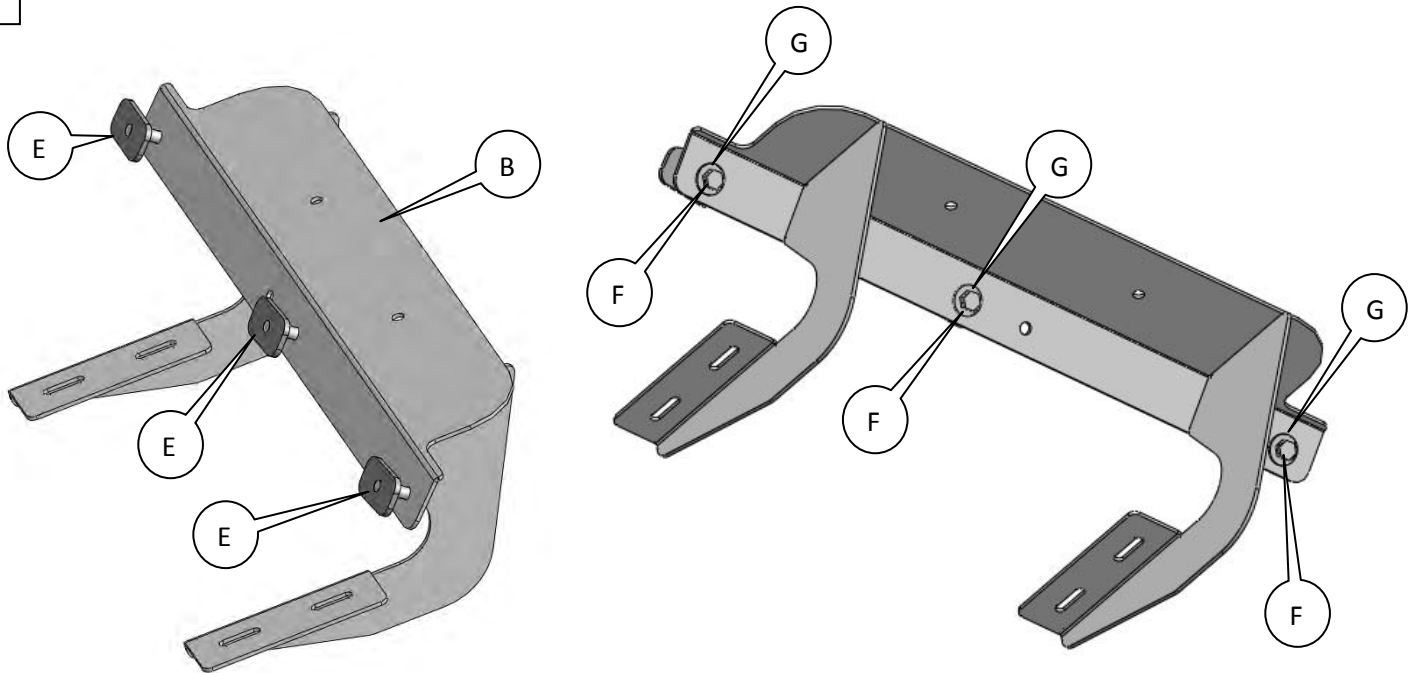
2



3

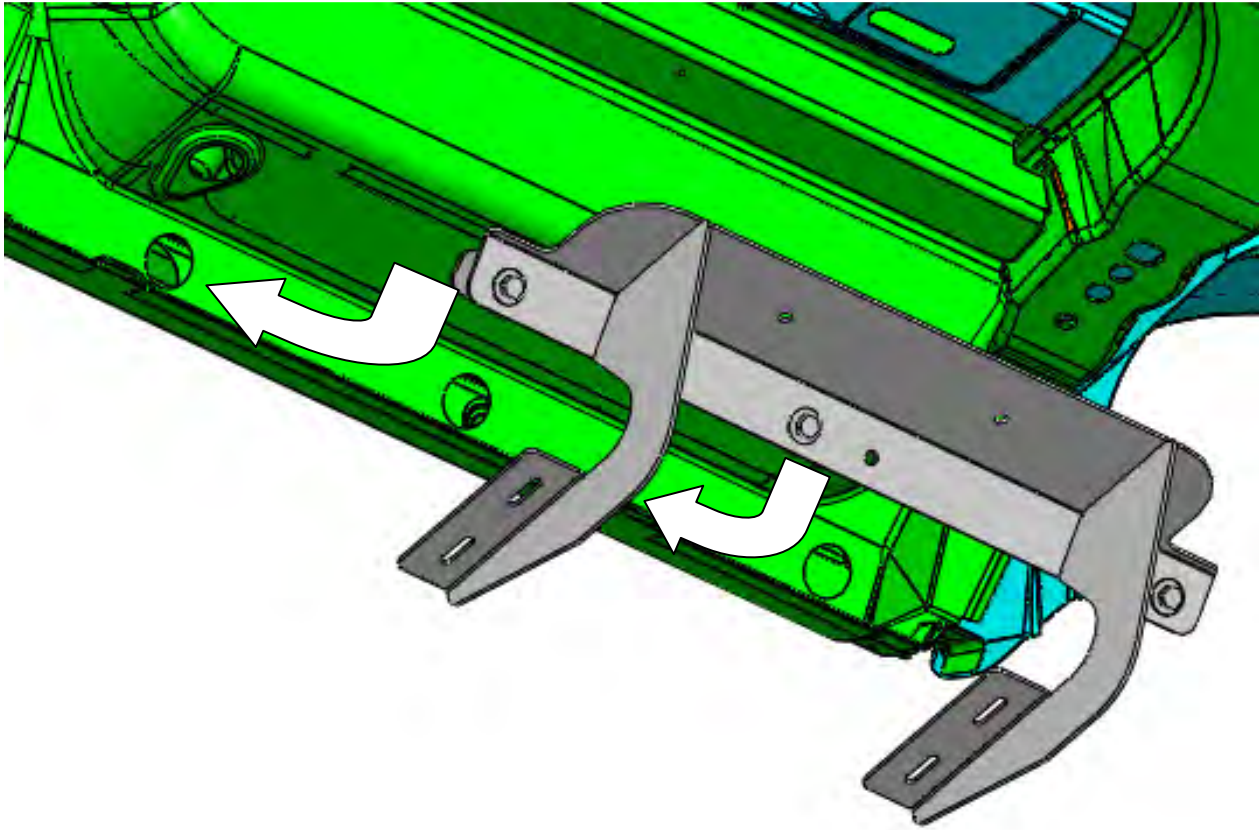


4

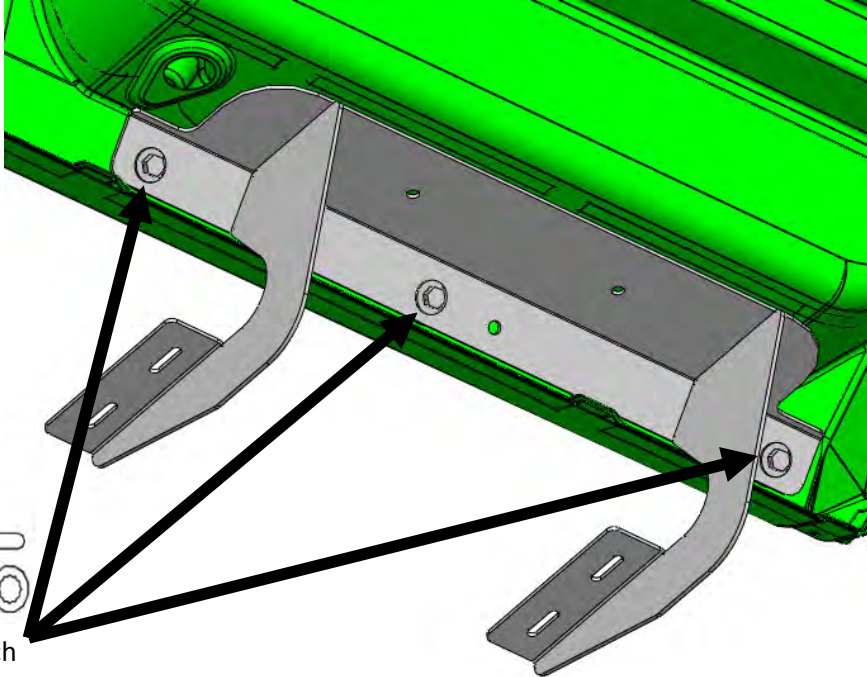


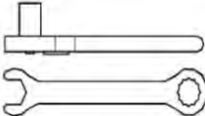


5

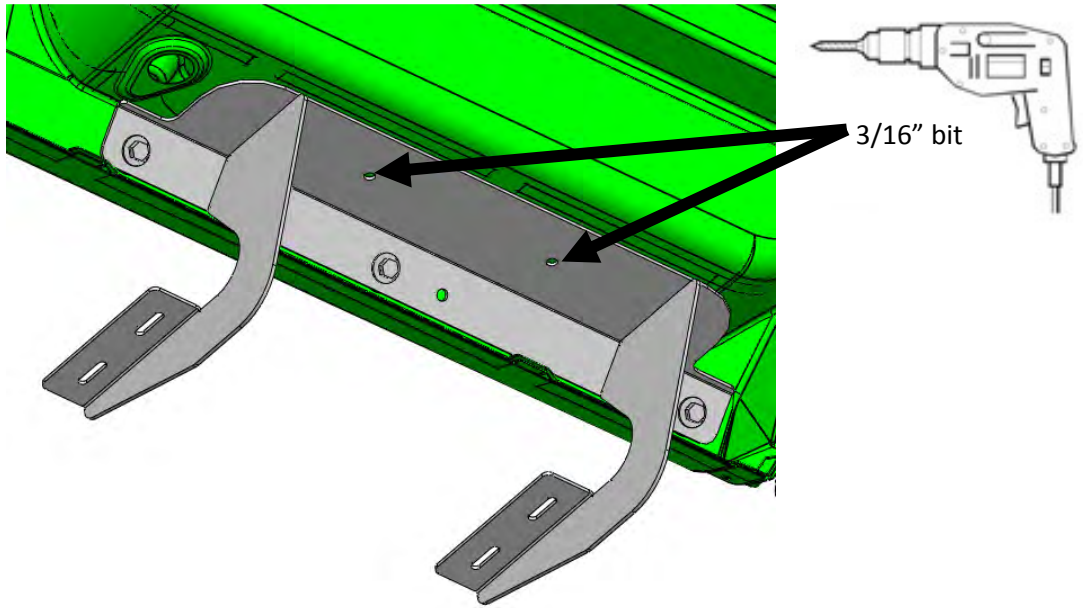


6

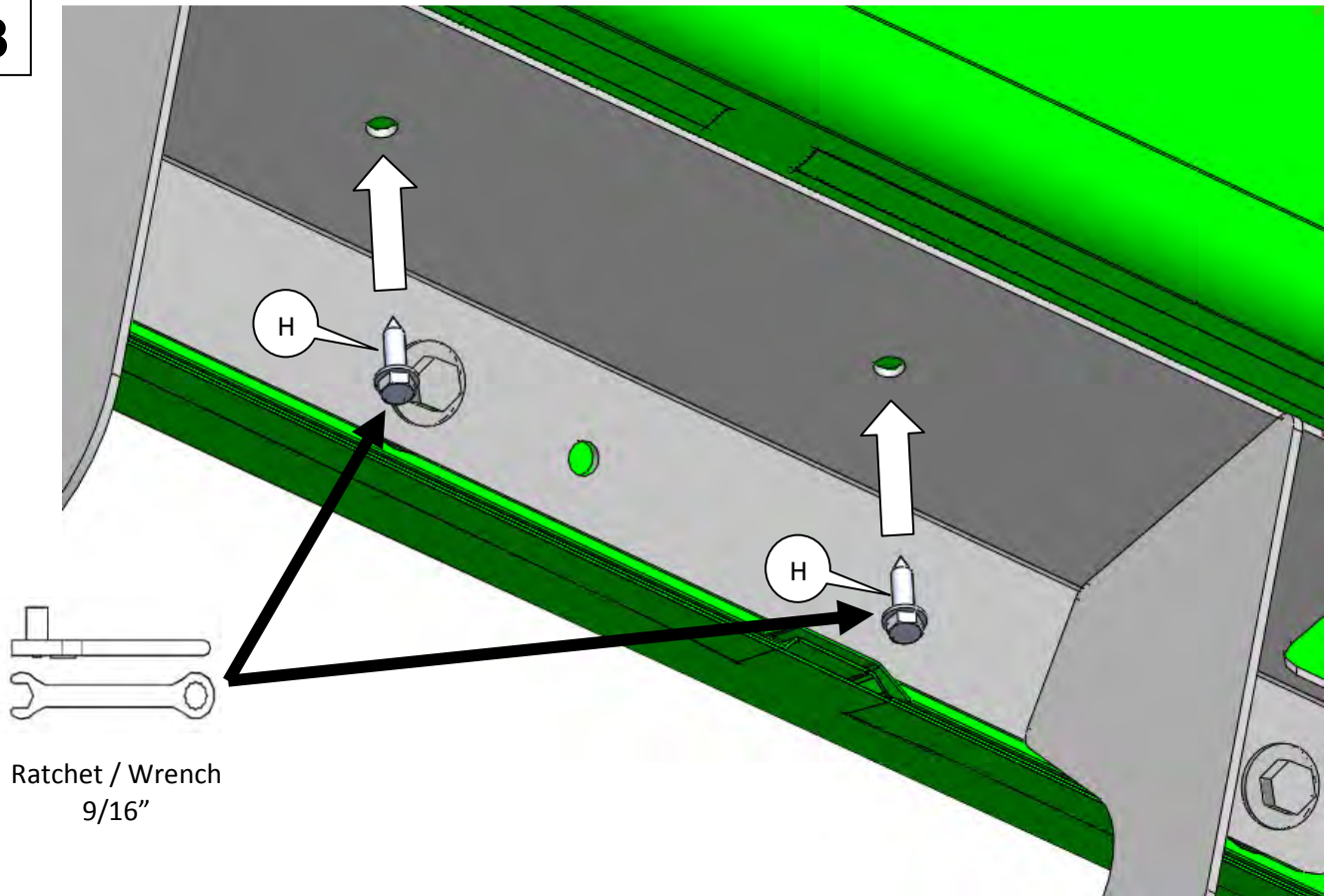


  
Ratchet / Wrench  
9/16"

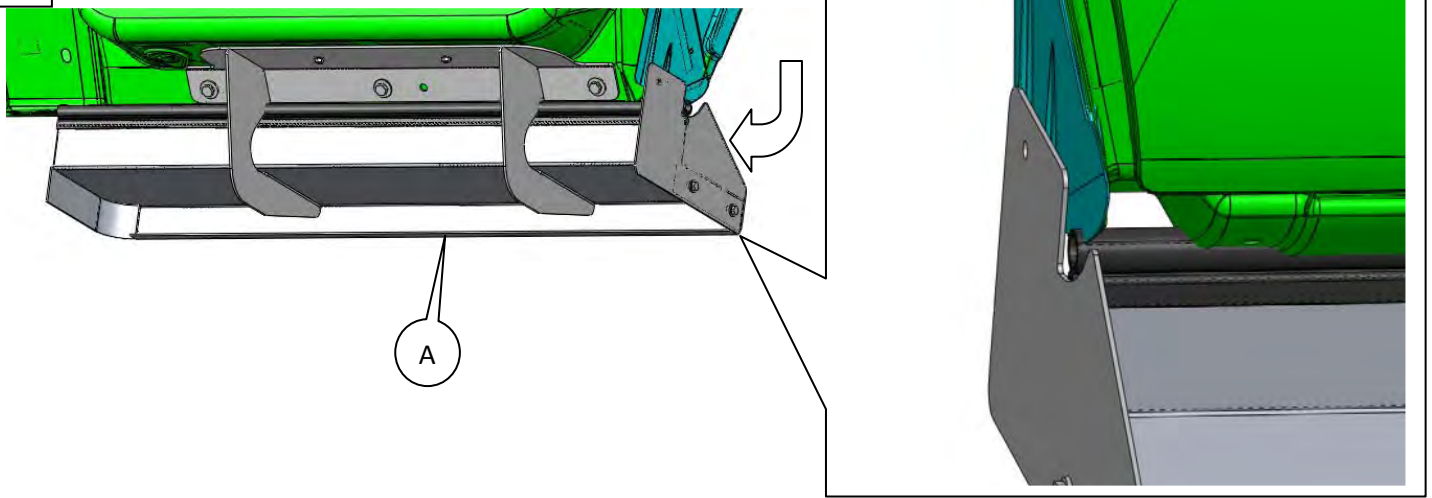
7



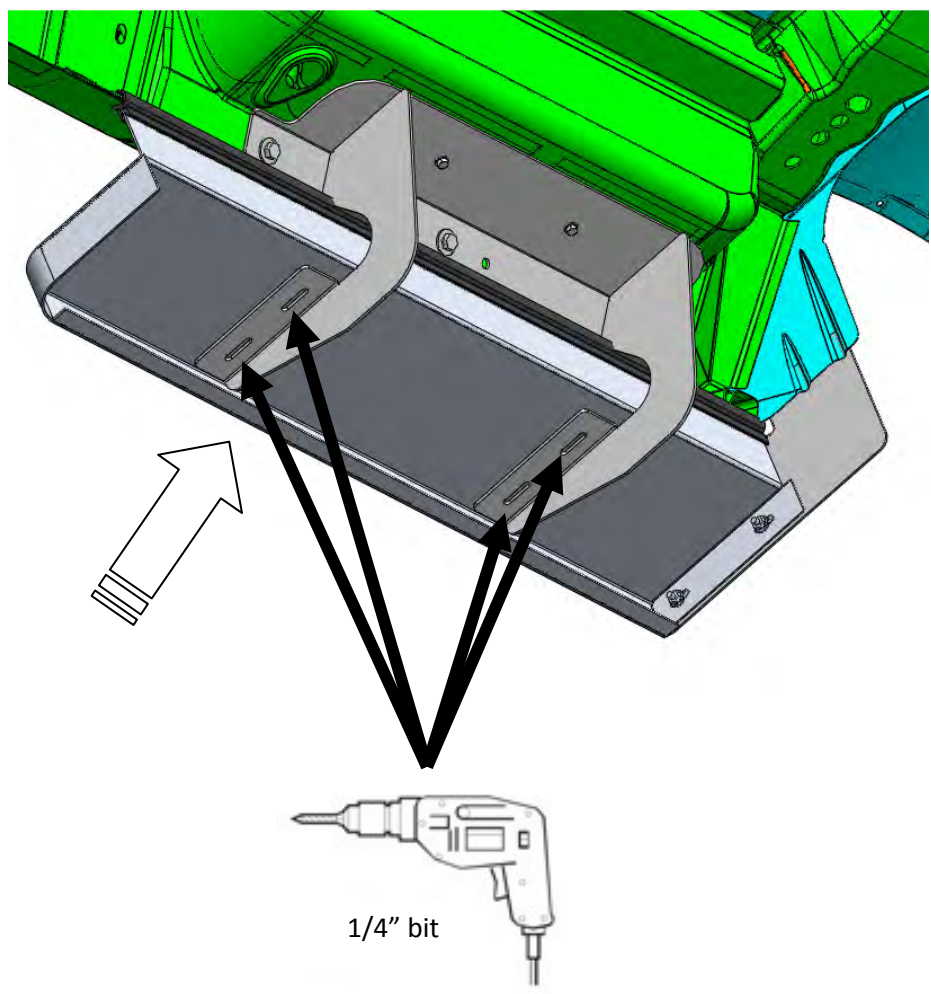
8



9

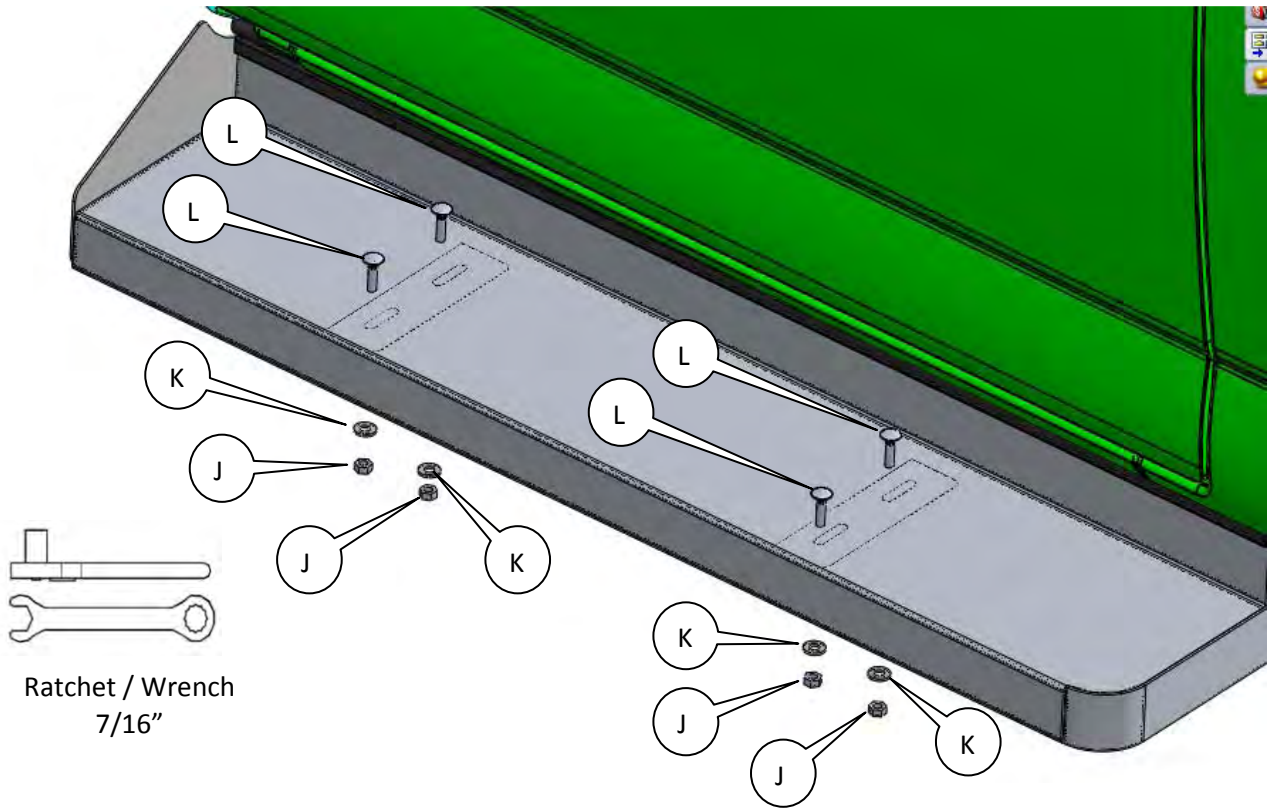


10

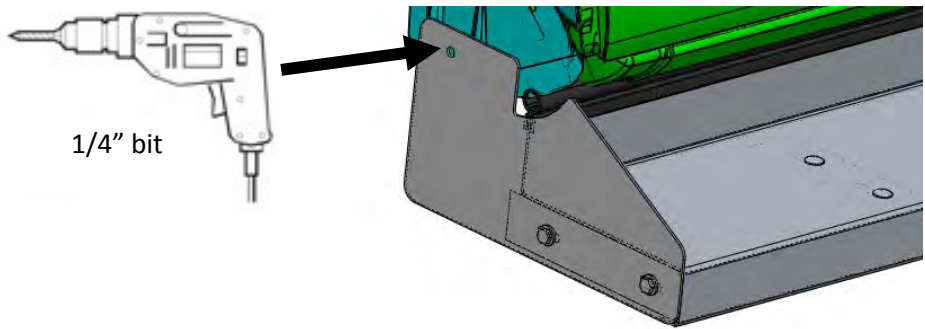




11



12



13

