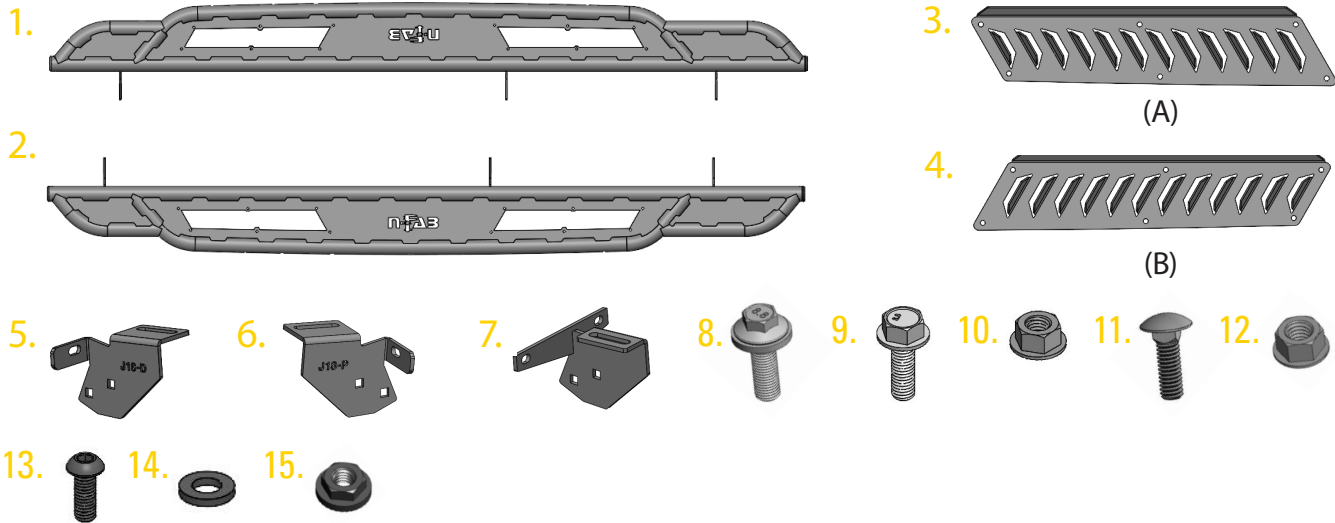


Components and Hardware: HWKT-10010X/ HWKT-09617X



Components and Hardware:

1. Driver side step.....	(1)
2. Passenger side step.....	(1)
3. Step plate (A).....	(2)
4. Step plate (B).....	(2)
5. Driver side front bracket.....	(1)
6. Passenger side front bracket.....	(1)
7. Mounting bracket.....	(4)
8. M8-1.25x30mm hex bolt with attached washer.....	(6)
9. M8-1.25x25mm flanged hex bolt.....	(12)
10. M8 flange hex nut.....	(12)
11. 3/8\"-16x1\" carriage bolt.....	(12)
12. 3/8\"-16 flanged hex nut.....	(12)
13. M6x16mm button head bolt.....	(24)
14. M6 flat washer.....	(24)
15. M6 flanged hex nut.....	(24)

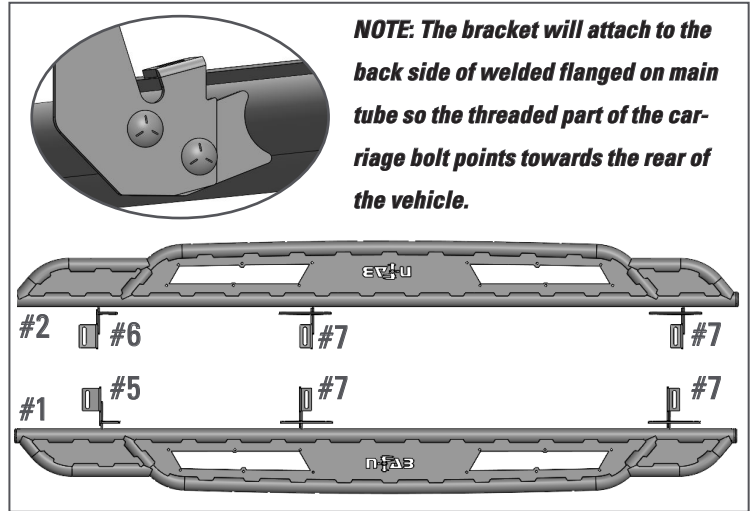
Tools for Installation:

- 9/16 socket
- 10mm socket
- 13mm socket
- #4 hex bit socket
- Ratchet wrench

INSTALL

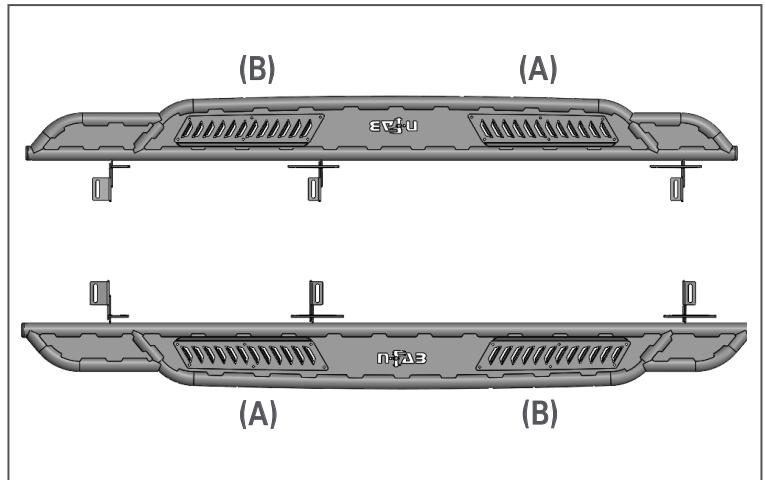
Step 1. Attach (#5)1x and (#7) 2x mounting bracket to (#1) driver side step and loosely fasten using (#11) 6x 3/8" carriage bolt and (#12) 6x 3/8" flanged hex nut.

Step 2. Attach (#6) 1x and (#7) 2x mounting bracket to (#2) passenger side step and loosely fasten using (#11) 6x 3/8" carriage bolt and (#12) 6x 3/8" flanged hex nut.



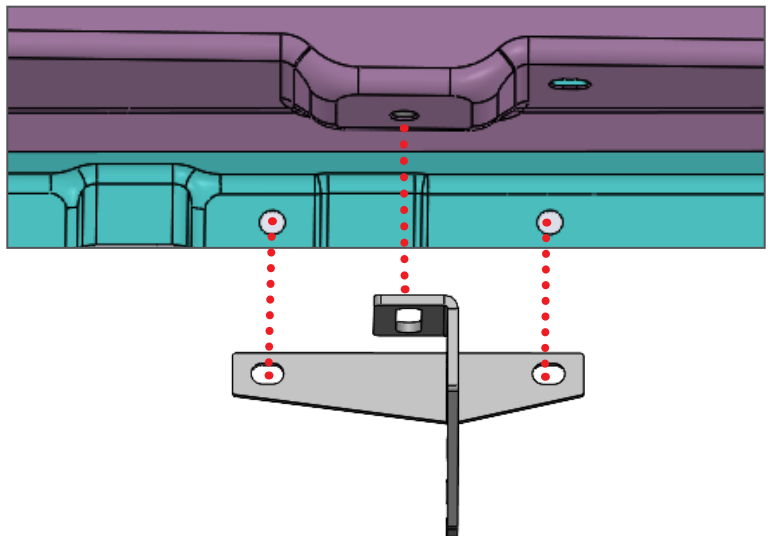
Step 3. Install step plate (A) and (B) to (#1) driver side Board and (#2) passenger side board and fasten using (#11) M6x16mm button , (#12) M6 flat washer and (#13) M6 hex nut to (5 ft-lbs) torque.

NOTE: Do not over tighten.



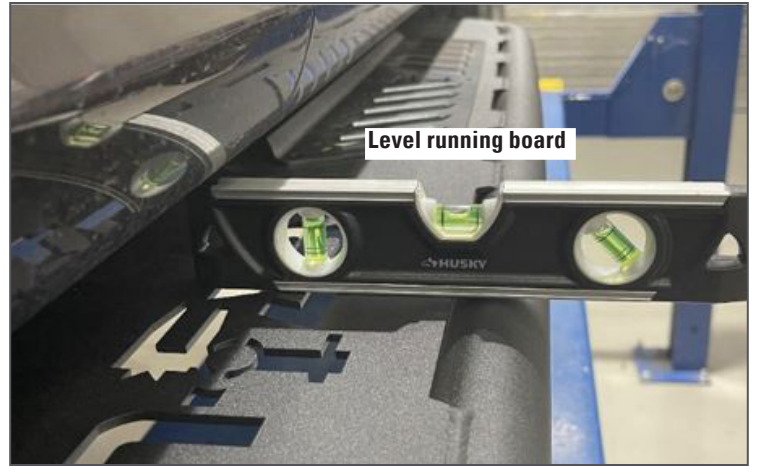
Step 4. Install (#1) driver side step by aligning brackets on back side of rocker panel with factory mounting holes.

Step 5. Starting with the center bracket, install supplied (#9) 1x M8x30mm flanged hex bolt with attached washer in the upper mounting location and (#9)2x M8x25mm hex head bolt with (#10)2x M8 flanged hex nut in rocker panel mounting location. Install the remaining hardware and leave loose for now. **NOTE: Rocker panel fasteners will start from the out side of rocker panel and tighten on back side.**



INSTALL

Step 6. Place a level on top of running board and level.



Step 7. There will be ½" of adjustment in the mounting bracket. Adjust to desired position and tighten to (20 ft-lbs).

Step 8. Finish by tightening the remaining mounting bracket hardware to (25 ft-lbs).

Step 9. Repeat process with passenger side running board.

