



INSTALLATION INSTRUCTIONS

Product: Forged Flex End Service Pack
Part Number: JKS1902, JKS1903

Applications:

JKS1902-J-FLEX Control Arms 1610, 1650, 1660

JKS1903-J-FLEX Control Arms 1615, 1652, 1665

877-533-7557 • jks@sporttruckusainc.com • www.jksmfg.com
491 W. Garfield Avenue, Coldwater, MI 49036

Welcome

CONGRATULATIONS on purchasing the flex joint rebuild tool from JKS Manufacturing. We are committed to providing you with the best products available and your satisfaction is our first priority.

PLEASE READ these Installation Instructions carefully, and save them for future reference, as they contain important installation and maintenance information.

Important

Rebuild Tool Kit: Fits all flex ends that use either a 1-3/8" ID retaining washer or a 1-1/16" ID retaining washer. Will not be compatible if the retaining washers do not meet either of these specifications.

Tools Required

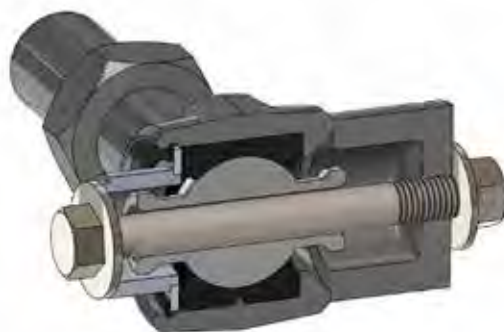
- 5/16", 5/8", 11/16", and two 3/4" wrenches (If JKS Flex Eye Rebuild Tool Kit is used)
- Internal snap ring pliers
- Grease gun
- Non-petroleum based grease

Parts

	Description	QTY
A	Flex Eye Bushing	2
B	Retaining Washer	1
C	Snap Ring	1

Installation

1. DISASSEMBLE THE FORGED FLEX END



- Remove the control arm from the vehicle.
- It is recommended to use the JKS Flex Joint Rebuild Tool Kit (JKS1690) to disassemble and reassemble the Flex Eye.
- Remove the internal snap ring. It is best to compress the bushings as shown above to remove the internal snap ring.
- Press out the bushings, retaining washer, and flex ball. The bushings, retaining washer, and internal snap ring can be discarded since they will be replaced with new parts. DO NOT discard the flex ball.

Note: The Rebuild Tool Kit can be assembled in the opposite direction to initially press the bushings out.

- Once the Flex Eye has been fully disassembled, clean the inside surface and retaining ring groove of any debris and any grease remaining in the eye.

2. FORGED FLEX END ASSEMBLY

- If using the JKS Flex Joint Rebuilt Tool Kit, follow the instructions for assembly of the Flex Eye.

- Re-install the bushings and washer back into the flex eye in reverse of disassembly.
- Compress the bushings and install the internal snap ring back into the groove in the flex eye.
- Grease bushings using a grease gun and non petroleum based grease.
- Reinstall the control arm back onto the vehicle.



If you encounter any problems with your installation and setup, please contact JKS Manufacturing for technical assistance.

JKS Technical Support

Phone	517-278-1226
E-Mail	jks@sporttruckusainc.com

©2016 JKS Manufacturing Revision Date 5/19/2016