



# INSTALLATION INSTRUCTIONS

**Product: Front Adjustable Track Bar Rebuild Kit**  
**Part Number: JKS7207**

**Applications: JKSOGS125, JKSOGS126**

877-533-7557 • jks@sporttruckusainc.com • www.jksmfg.com  
491 W. Garfield Avenue, Coldwater, MI 49036

## Welcome

CONGRATULATIONS on purchasing a Track Bar Rebuild Kit from JKS Manufacturing. We are committed to providing you with the best products available and your satisfaction is our first priority.

PLEASE READ these Installation Instructions carefully, and save them for future reference, as they contain important installation and maintenance information.

## Tools Required

- H Frame Press
- Internal Snap Ring Pliers
- JKS1690 Flex Joint Rebuild Tool Kit

## Parts

Description	QTY
Rubber Bushing	1
Track Bar Decal	1
2-1/2" Poly Bushing	2
Side Retaining Washer	1
Snap Ring	1
Tapered Split Cone	1
1/4"-28 Grease Zerk	1
9/16" Prevailing Torque Nut	1
9/16": SAE Washer	1
9/16" x 4-1/2" Bolt	1

## Installation

### □ TRACK BAR REMOVAL

- Securely block wheels to prevent accidental movement of vehicle.
- Remove track bar from vehicle. Original installation instructions can be referenced if necessary.

### □ RUBBER BUSHING

#### □ 1. REMOVAL

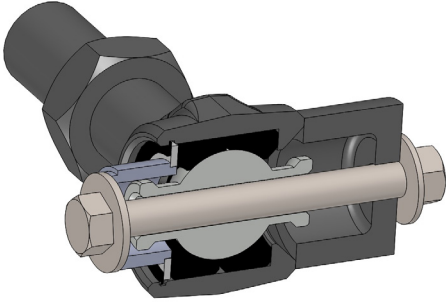
- Position press plates so that the rubber bushing eye is fully supported.
- Using a large socket or other appropriate tooling, press the old bushing out of the bushing eye. The socket used should be as large as possible while still fitting through the bushing eye.
- Clean any corrosion or debris from the inner surface.

#### □ 2. INSTALLATION

- Place the new bushing and control arm eye into the press. Ensure the two components are aligned.
- Using appropriate tooling, press the bushing into place until the lip of the bushing is flush with the bushing eye.

## ❑ FLEX JOINT REBUILD

### ❑ 1. ASSEMBLE TOOL TO FLEX EYE



- Place the large nylon cup on the end that will not have the snap ring removed with the cupped end towards the flex eye as shown.
- Place the appropriately sized machined tube into the washer on the side that will have the snap ring removed.

**The large machined tube is designed for 1-3/8" ID washers.**

**The small machined tube is designed for 1-1/16" ID washers.**

- Using the appropriate hardware, hand tighten the bolt and square the flex eye removal tool to the eye.

**7/16" hardware is designed for small flex eye.**

**1/2" hardware is designed for large flex eye.**

### ❑ 2. FLEX EYE DISASSEMBLY

- Tighten with wrenches (avoid using an impact wrench) to compress the bushings enough to relieve pressure on the snap ring to allow for removal.
- Using snap ring pliers, compress the snap ring and remove it from the flex eye.
- Remove the bushings and retaining washers from the eye.

**Note: On some track bar applications it may be necessary to remove the grease fitting to allow for bushing removal.**

### ❑ 3. FLEX EYE ASSEMBLY

- Re-install the bushings and washer(s) back into the flex eye in reverse of disassembly.
- Assemble the tool to the eye using the same process shown previously.
- Tighten the bolt until the snap ring can be installed in the groove.

**Make sure the snap ring groove is not damaged before proceeding**

- Using snap ring pliers, install the snap ring. Verify it is fully seated.
- Loosen the bolt and remove the tool from the eye.
- Grease bushings using a grease gun and non petroleum based grease.

### ❑ FINAL STEPS

- Reinstall track bar. Reference original installation instructions if necessary.
- Verify jam nut is tight and did not move.
- If needed, a replacement decal is included.

## Maintenance

Check torque specifications regularly.

©2015 JKS Manufacturing  
Revision Date 03/11/2021